

HUSQVARNA COMPETITION MOTORCYCLES

Use 86 430 Auto for engine '87

Gäller från ram CP, WP, XP nr 20.000
Valid from frame CP, WP, XP no. 20.000



Reservdelskatalog
Spare Parts Manual

Dimensioner och beteckningar

Skruvar:	Gängdimension x längd (M6 x 30)
Muttrar:	Gängdimension (M8)
Brickor:	Typ, inre \emptyset x yttre \emptyset x tjocklek (FBB 6,4 x 10 x 1)
	Typ: FBB = Fjäderbricka, öppen
	FA = Fjäderbricka
	LI = Låsbricka, innertandad
Kullager:	Fabrikantens beteckning (SKF 6301)
Tätningar:	Inre \emptyset x yttre \emptyset x tjocklek (25 x 42 x 7)
	L = Längd
	z = Antal kuggar
	N = Ny reservdel

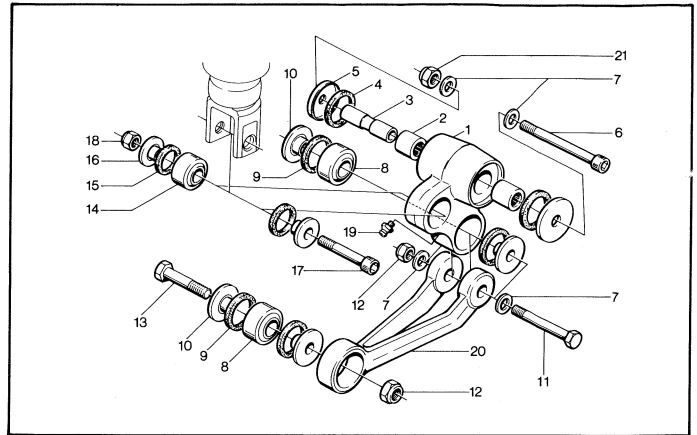
Rätt till ändringar förbehålles.

Dimensions and descriptions

Screws:	Thread dimensions x length
Nuts:	Thread dimension
Washer:	Type, inner \emptyset x exterior \emptyset x thickness
	Types: FBB = Spring washer open
	FA = Spring washer
	LI = Lock washer, inside indent
Ball bearings:	Manufacturers description
Sealing rings:	Inner \emptyset x exterior \emptyset x thickness
	L = Length
	z = Number of cogs
	N = New spare part

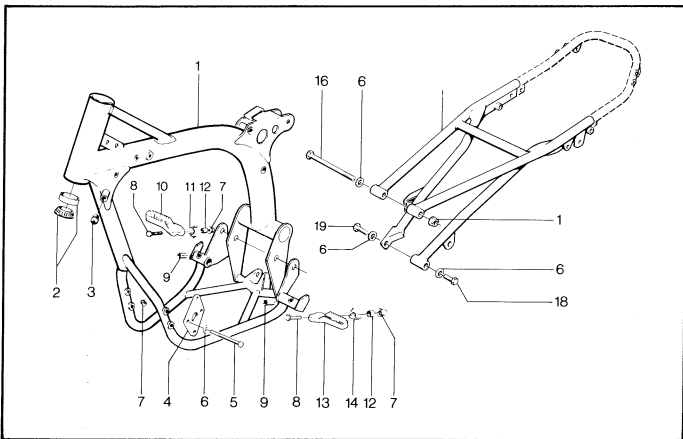
Specifications subject to change without notice.

Innehålls- förteckning Index



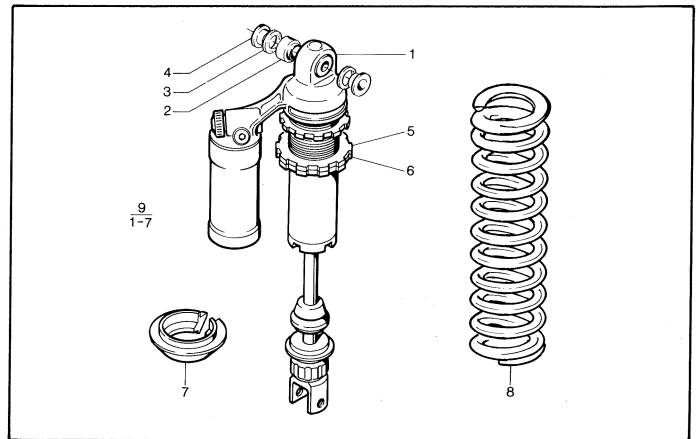
Stötdämparlinkage. *Shocklinkage.*

11



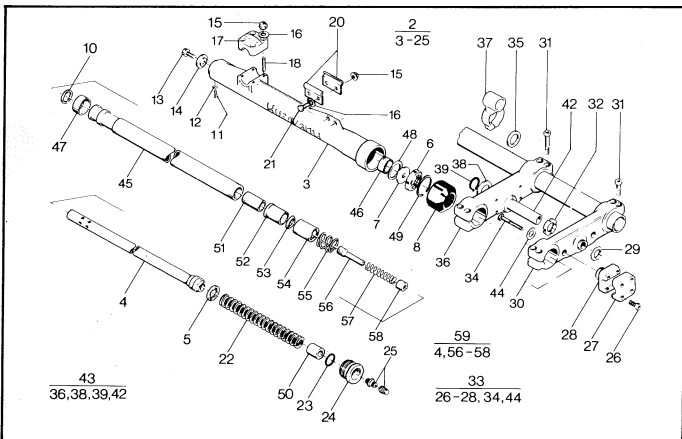
Ram. *Frame.*

6



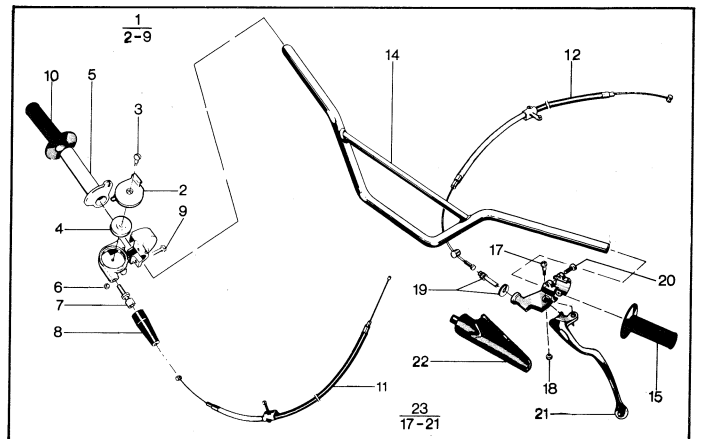
Stötdämpare. *Shockabsorber.*

12



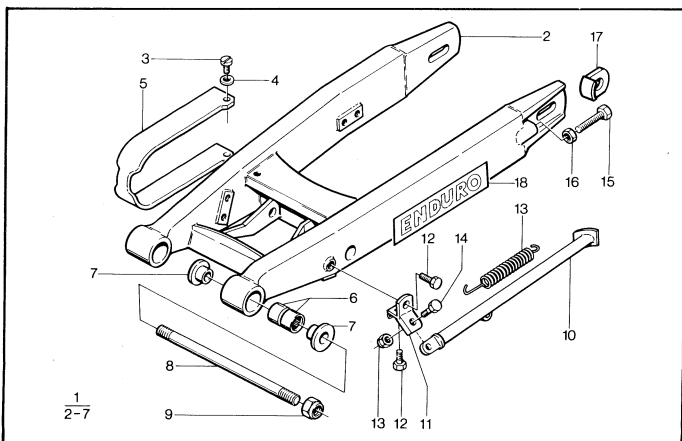
Framgaffel. *Frontfork.*

7



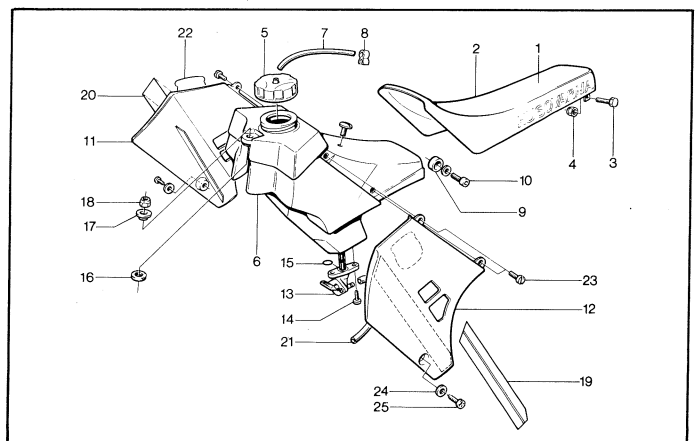
Styre. *Handlebar.*

13



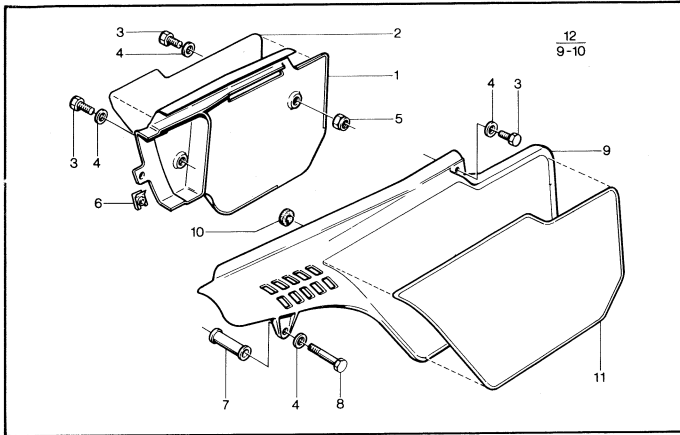
Sving. *Swingarm.*

10



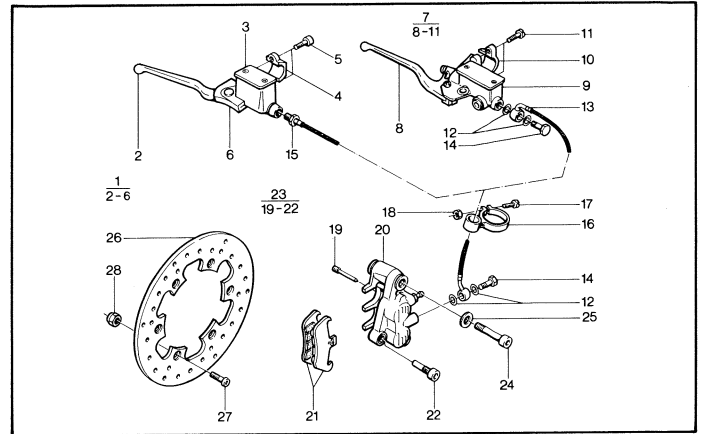
Tank och sadel. *Tank and seat.*

14



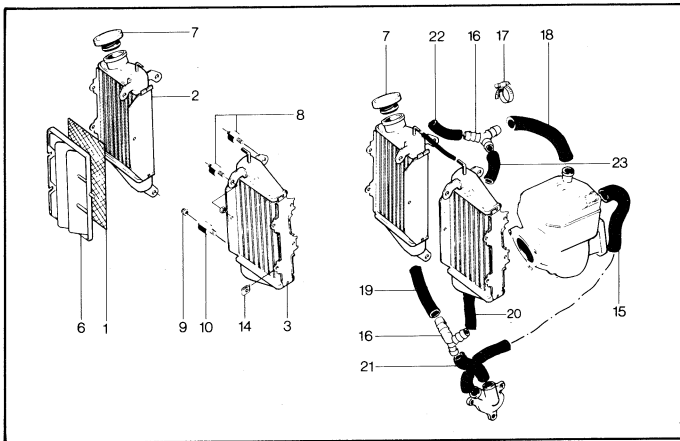
Sidopaneler. Sidecovers.

15



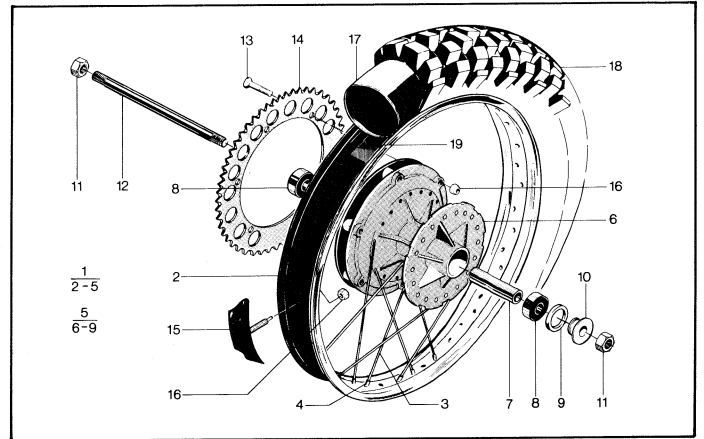
Frambroms. Frontbrake.

19



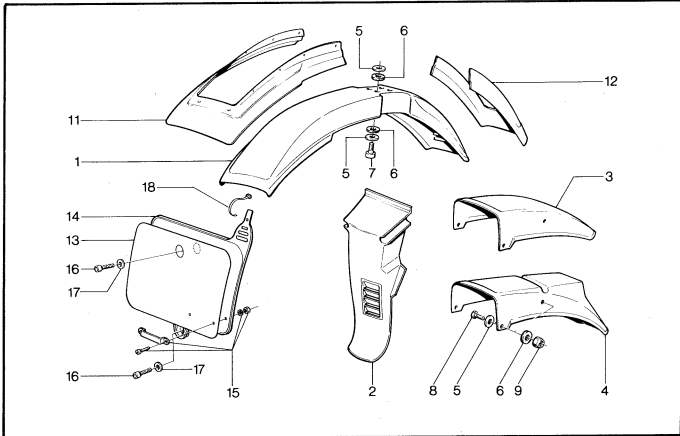
Kylare. Radiators.

16



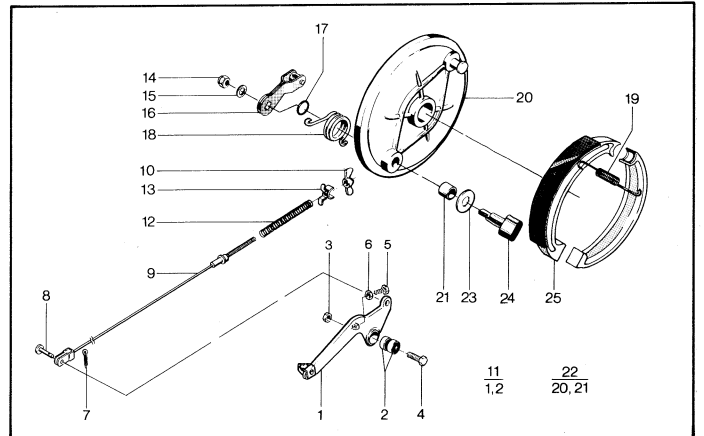
Bakhjul. Rearwheel.

20



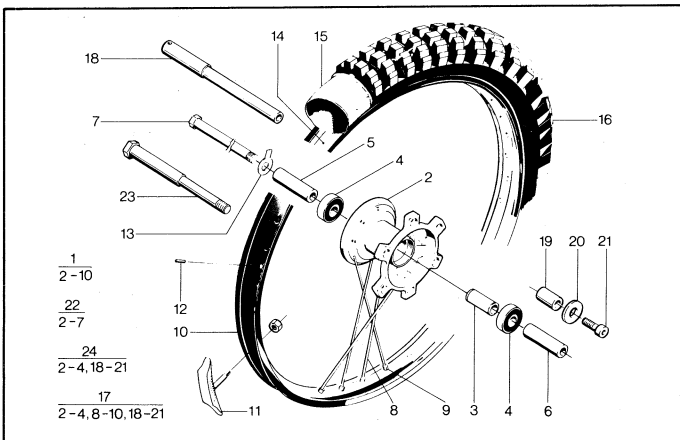
Stänkskärmar. Fenders.

17



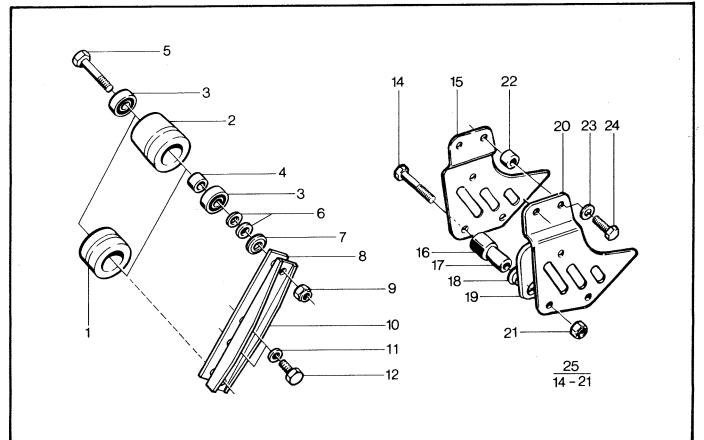
Bakbroms. Rearbrake.

22



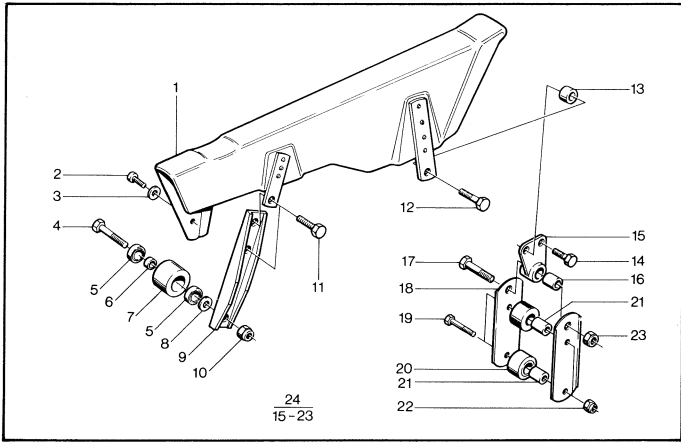
Framhjul. Frontwheel.

18



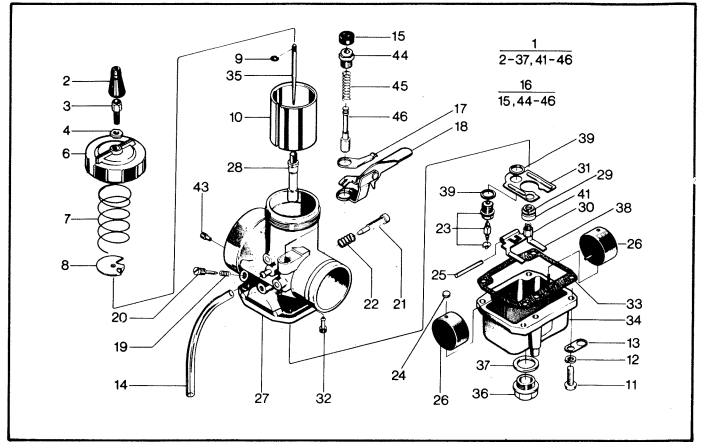
Kedjestyrare CR. Chainguide.

24



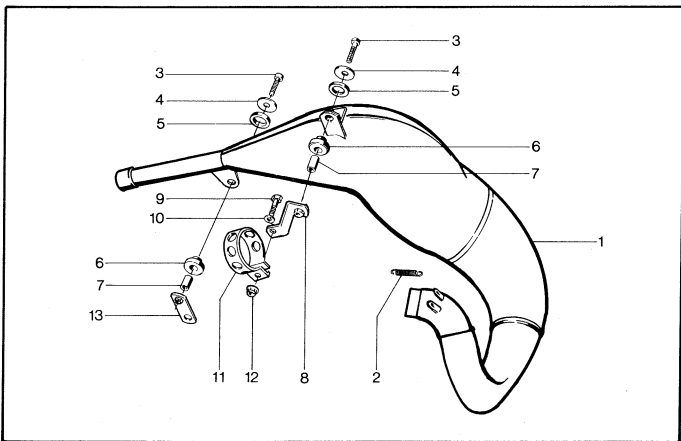
Kedjestyrare WR. *Chainguide.*

25



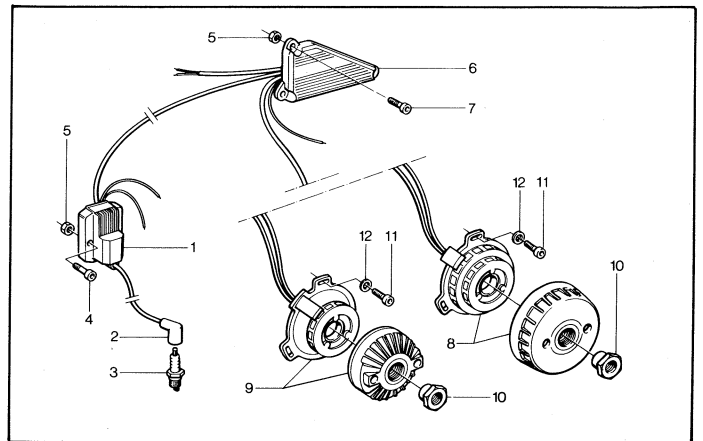
Förgasare. *Carburettor.*

29



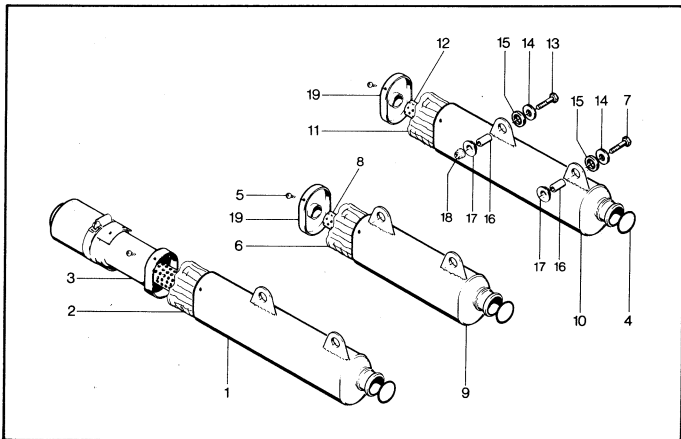
Avgasrör. *Exhaustpipe.*

26



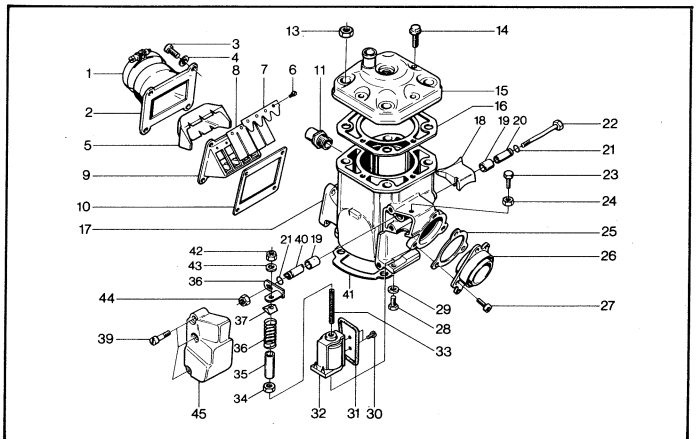
Tändsystem. *Ignition.*

40



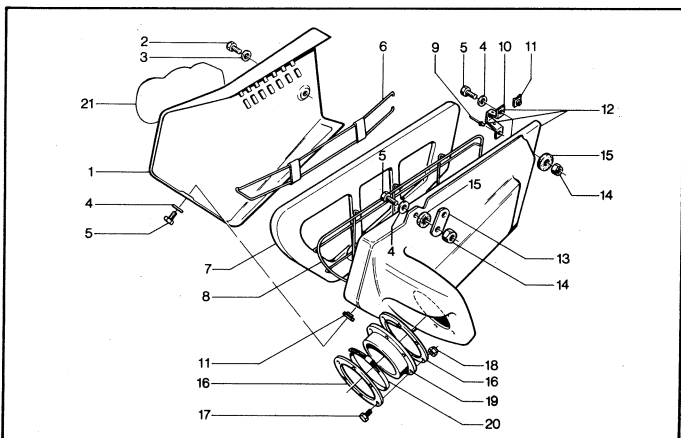
Ljuddämpare. *Silencer.*

27



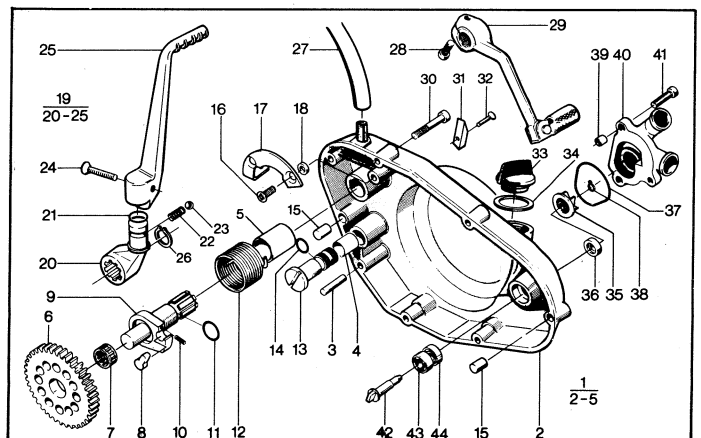
Cylinder. *Cylinder.*

42



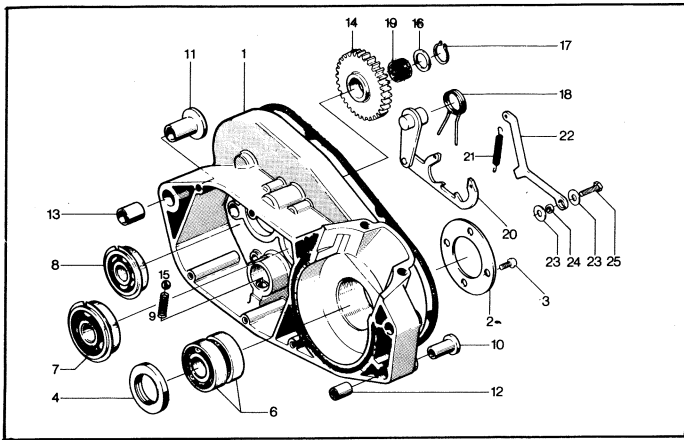
Luftburk. *Airfilterbox.*

28



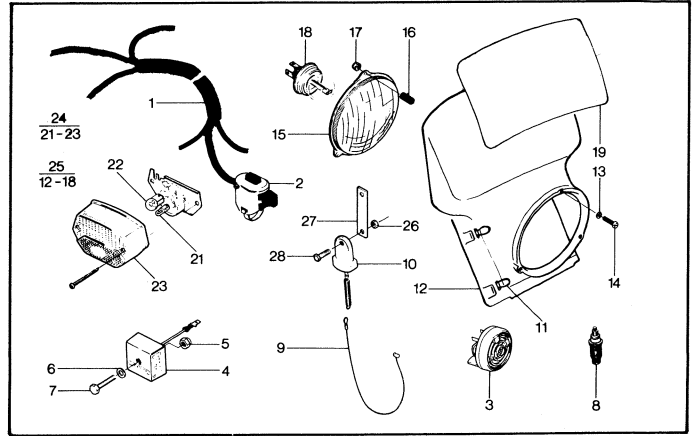
Transmissionskåpa. *Transmissioncover.*

46



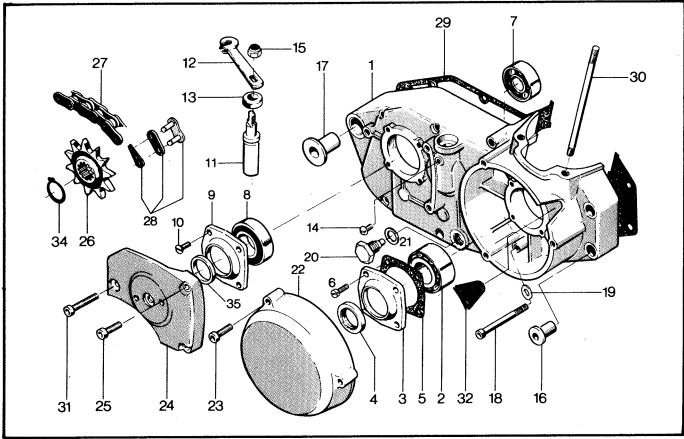
Vevhus, vänster. *Crankcase, left.*

50



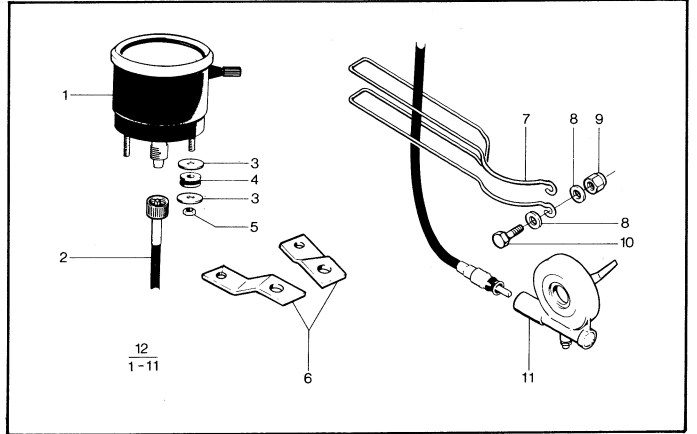
Elsystem. *Electrical equipment.*

67



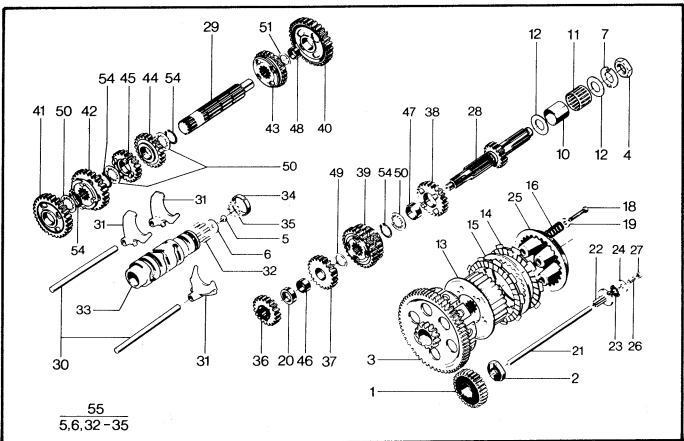
Vevhus, höger. *Crankcase, right.*

52



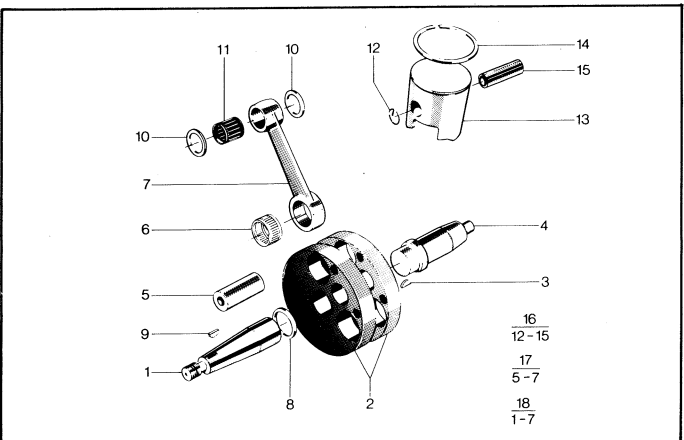
Hastighetsmätare. *Speedometer.*

68



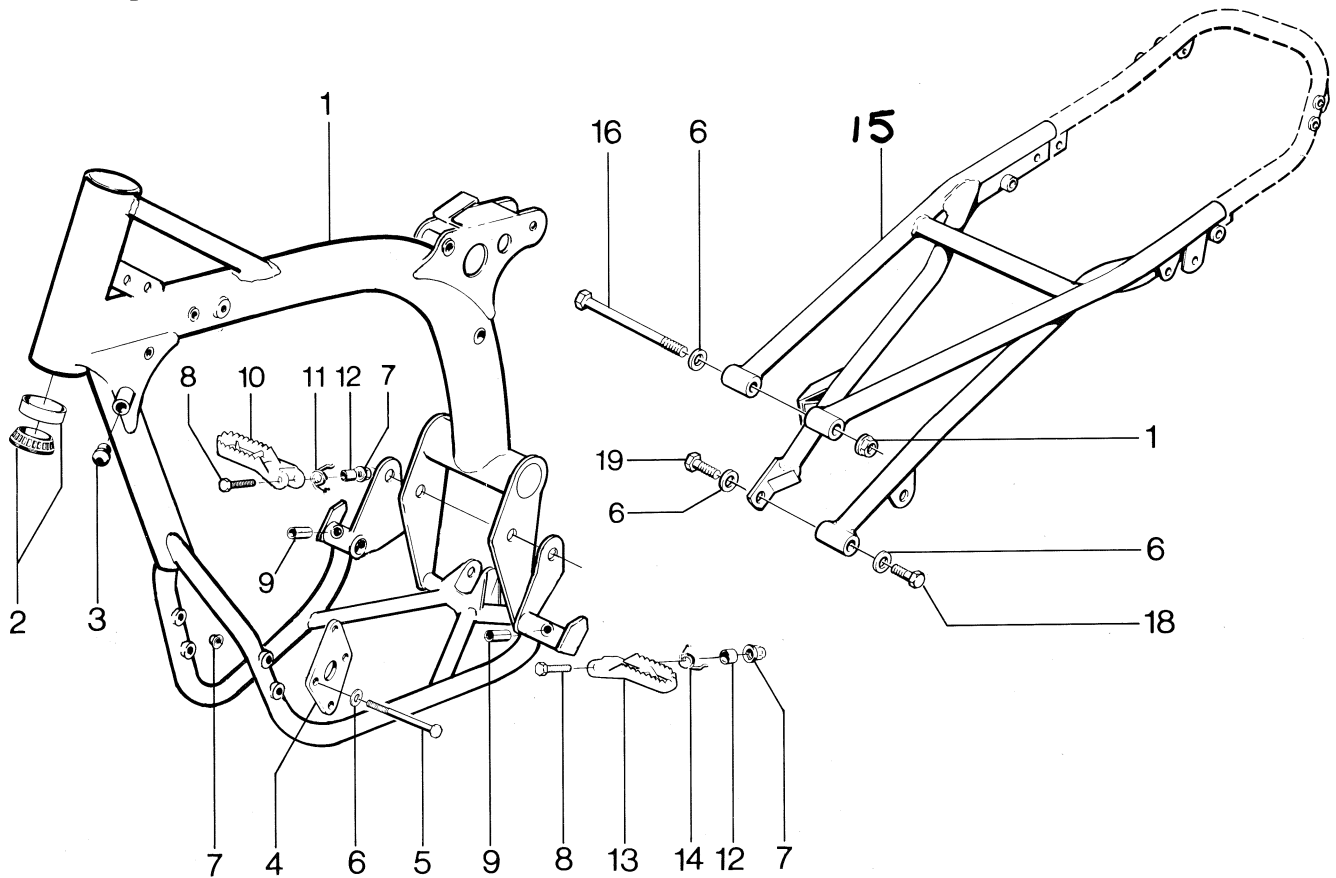
Växellåda. *Gearbox.*

56

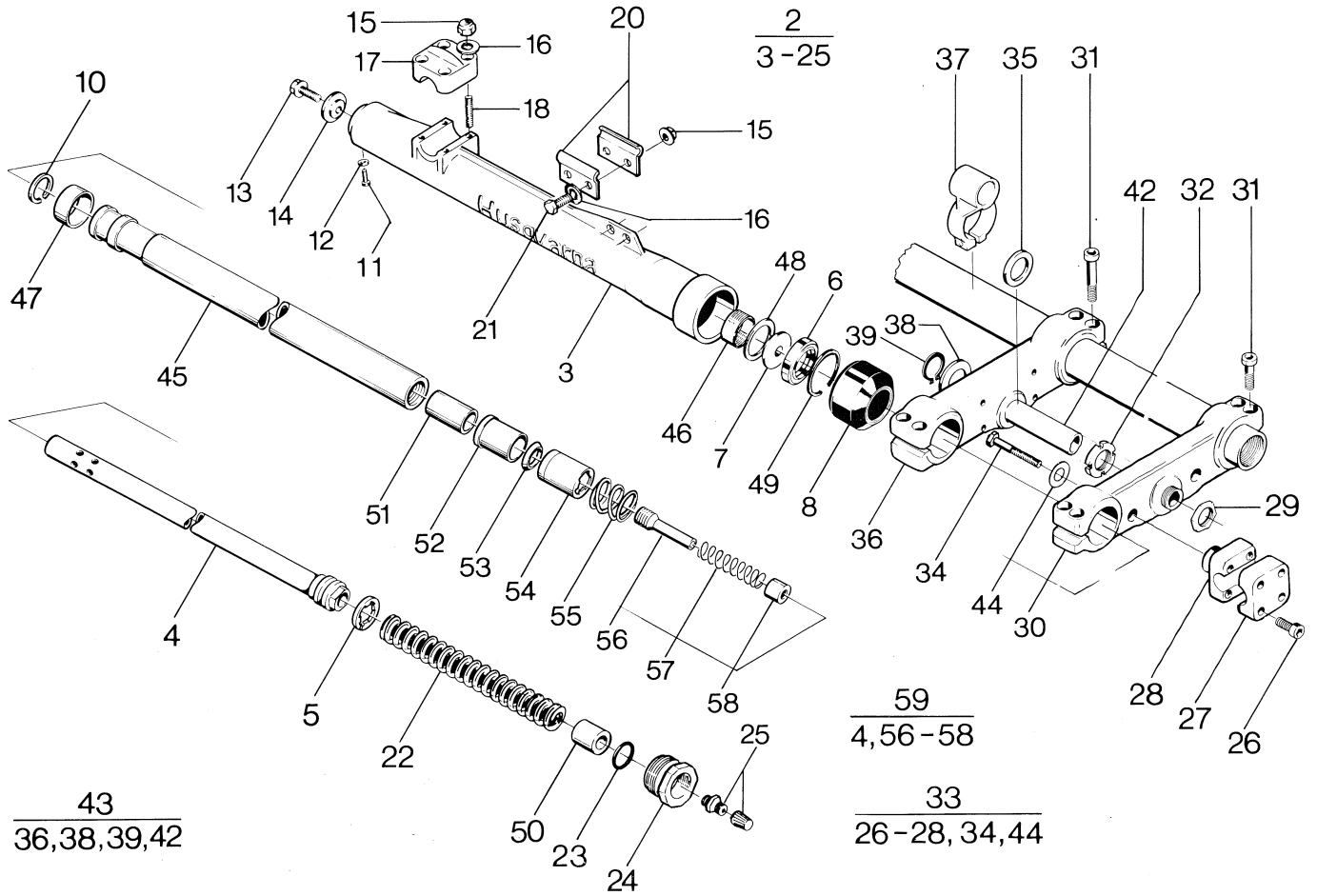


Vevaxel och kolv. *Crankshaft and piston.*

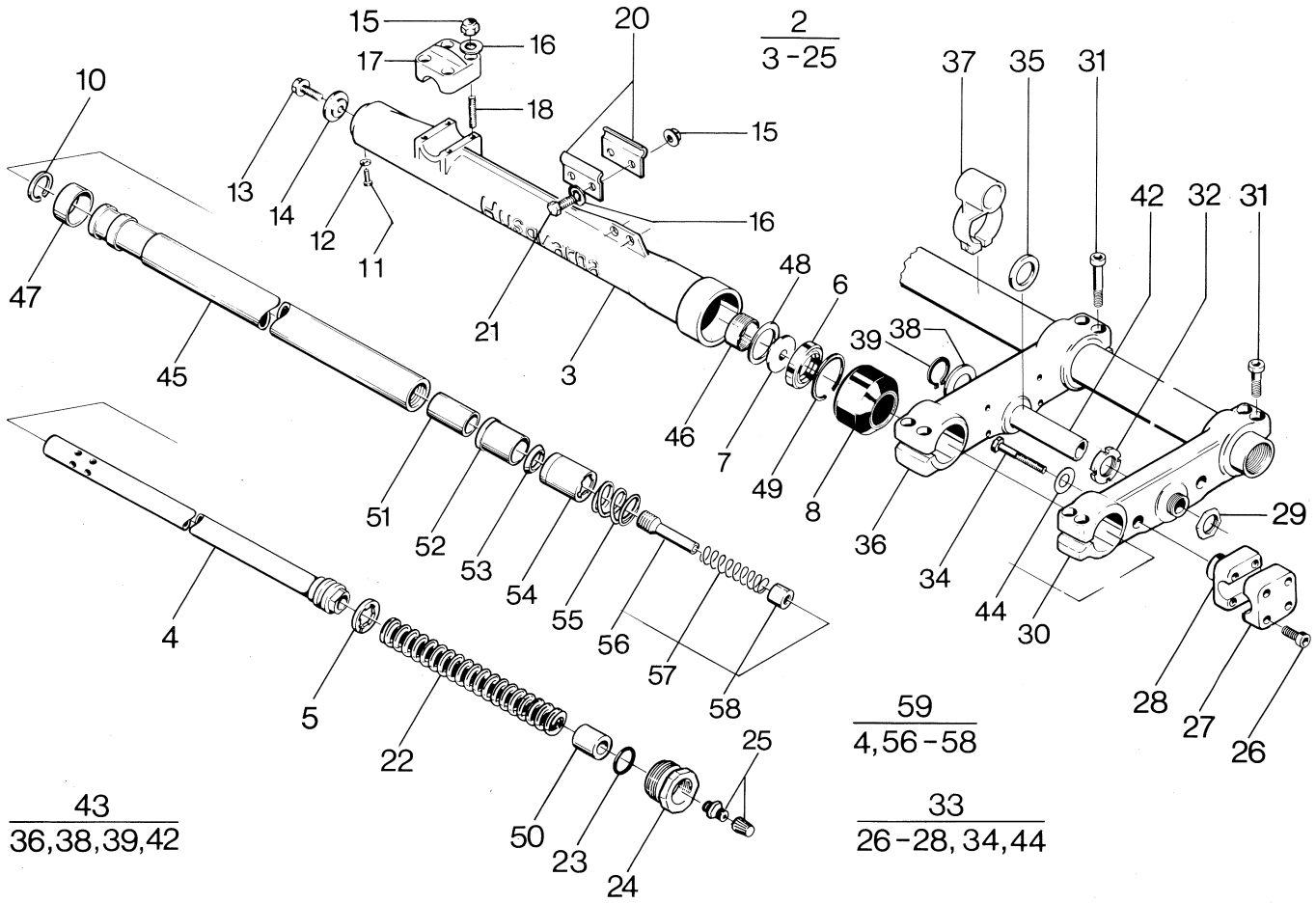
65



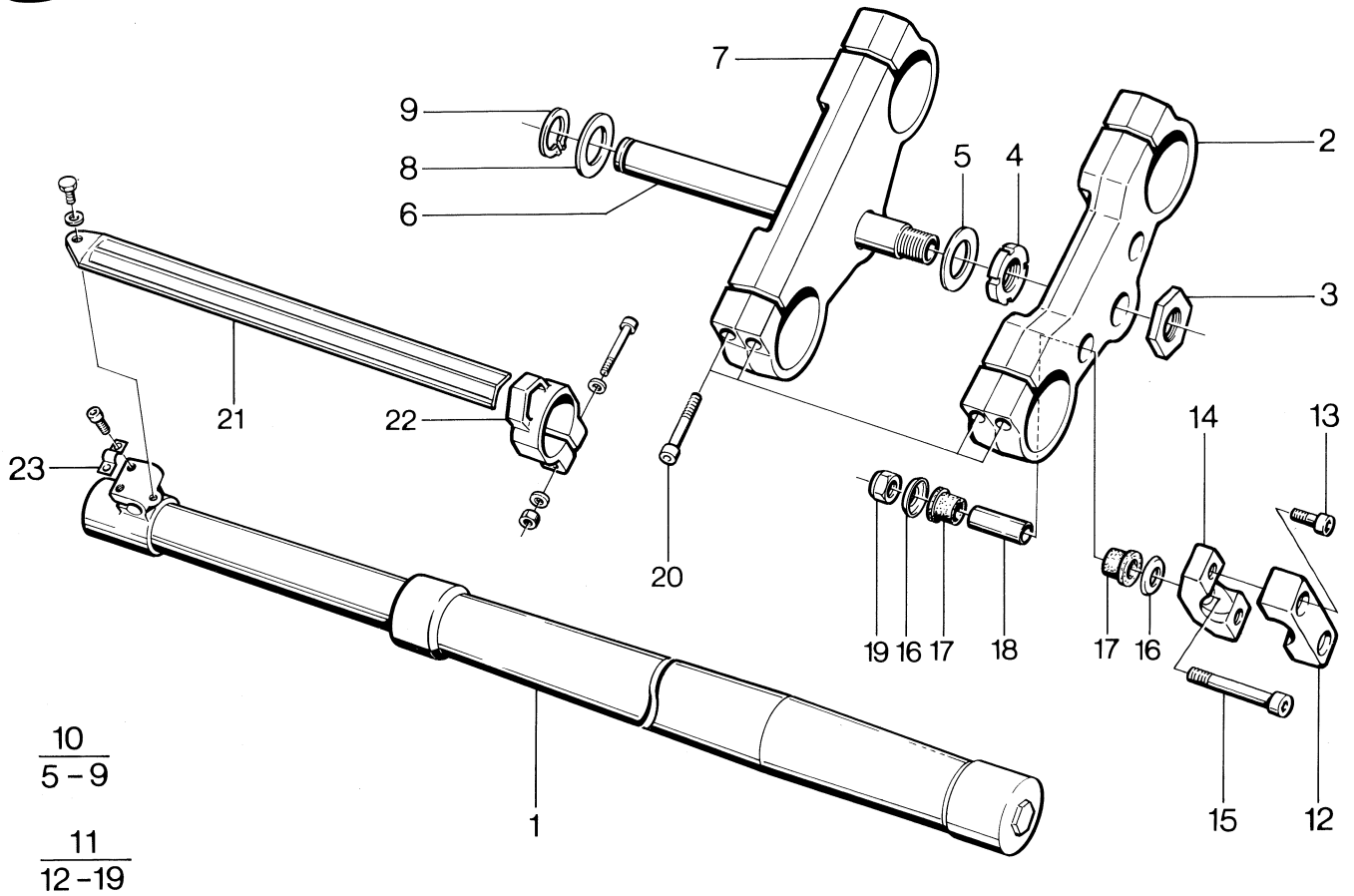
N	Fig.	Reservdel nr Spare part no.	ANTAL – QUANTITY														Benämning, Description	Not.			
			125		240		250			400		430		430 Aut.		500					
			WR	CR	WR	CR	EU WR	US WR	XC	WR	CR	WR	XC	EU	US	CR			XC		
N	1	15 11 529-01			1		1			1				1					1	Ram. Frame.	
N		15 11 529-02					1												1	Ram. Frame.	
N		15 11 529-03																	1	Ram. Frame.	
N		15 11 529-05	1																	Ram. Frame.	
N		15 11 529-06		1		1														Ram. Frame.	
N		15 11 529-07							1											Ram. Frame.	
N	2	15 13 070-01	2		2		2	2	2	2		2	2	2	2				2	Styrlager. Bearing.	
N	3	15 19 537-01	4	4	4	4	4	4	4	4	4	4	4	4	4	4	4	4	4	Propp. Plug.	
N	4	15 11 276-01	2																	Motorfästplåt. Engine mounting plate.	
N		15 11 253-01		2	2	2	2	2	2	2	2	2	2	2	2	2	2	2	2	Motorfästplåt. Engine mounting plate.	
N	5	725 24 72-81	2	2	2	2	2	2	2	2	2	2	2	2	2	2	2	2	2	Bult. Bolt.	
N		725 24 61-81	4	4	4	4	4	4	4	4	4	4	4	4	4	4	4	4	4	Bult. Bolt.	
N	6	734 11 64-01	9	9	9	9	9	9	9	9	9	9	9	9	9	9	9	9	9	Bricka. Washer.	
N	7	15 13 707-01	6	6	6	6	6	6	6	6	6	6	6	6	6	6	6	6	6	Mutter M8. Nut.	
N	8	725 24 62-51	2	2	2	2	2	2	2	2	2	2	2	2	2	2	2	2	2	Bult. Bolt.	
N	9	15 13 160-01	2	2	2	2	2	2	2	2	2	2	2	2	2	2	2	2	2	Rörpinne. Bushing.	
N	10	15 13 152-01	1	1	1	1	1	1	1	1	1	1	1	1	1	1	1	1	1	Fotpinne, höger. Foot peg. Right.	
N	11	15 13 158-01	1	1	1	1	1	1	1	1	1	1	1	1	1	1	1	1	1	Fjäder, höger. Spring, left.	
N	12	15 13 617-01	2	2	2	2	2	2	2	2	2	2	2	2	2	2	2	2	2	Distans. Spacer.	
N	13	15 13 156-01	1	1	1	1	1	1	1	1	1	1	1	1	1	1	1	1	1	Fotpinne, vänster. Foot peg. Left.	
N	14	15 13 159-01	1	1	1	1	1	1	1	1	1	1	1	1	1	1	1	1	1	Fjäder, vänster. Spring, left.	
N	15	15 11 528-01	1		1		1				1			1		1				Sadelbrygga. Rearframe.	
N		15 11 528-02		1		1			1		1		1		1		1		1	Sadelbrygga. Rearframe.	
N	16	725 24 77-81	1	1	1	1	1	1	1	1	1	1	1	1	1	1	1	1	1	Bult. Bolt.	
N	17	732 21 18-01	1	1	1	1	1	1	1	1	1	1	1	1	1	1	1	1	1	Mutter M8. Nut.	
N	18	725 24 61-81	1	1	1	1	1	1	1	1	1	1	1	1	1	1	1	1	1	Bult. Bolt.	
N	19	725 24 51-51	1	1	1	1	1	1	1	1	1	1	1	1	1	1	1	1	1	Bult. Bolt.	



N	Fig.	Reservdel nr Spare part no.	ANTAL - QUANTITY												Benämning, Description	Not.			
			125		240		250			400		430		430 Aut.			500		
			WR	CR	WR	CR	EU WR	US WR	XC	WR	CR	WR	XC	EU			US	CR	XC
N	1	15 12 424-01															1	Framgaffel kpl. Frontfork compl.	
N		15 12 424-02	1														1	Framgaffel kpl. Frontfork compl.	
N	2	15 12 448-01															2	Gaffelben kpl. Forkleg compl.	
N		15 12 448-02	2														2	Gaffelben kpl. Forkleg compl.	
N	3	15 12 413-01															2	Gaffelben undre. Forkleg lower.	
N		15 12 413-02	2														2	Gaffelben undre. Forkleg lower.	
N	4	15 12 443-01	2														2	Dämpspindel. Dampingspindle.	
N	5	15 12 373-01	2														2	Tätningbricka. Sealwasher.	
N	6	15 12 402-01	2														2	Tätningsring. Seal.	
N	7	15 12 376-01	2														2	Stödbricka. Supportwasher.	
N	8	15 12 372-01	2														2	Avstrykare. Scraper.	
N	9	15 12 398-01	2														2	Bottenventil. Valvering.	
N	10	735 31 33-70	2														2	Spärring. Circlip.	
N	11	723 13 62-01	2														2	Skruv M6x8. Screw.	
N	12	16 10 823-01	2														2	Bricka. Washer.	
N	13	725 24 57-51	2														2	Skruv M8x35. Screw.	
N	14	15 12 161-01	2														2	Bricka. Washer.	
N	15	732 21 16-51	8														8	Mutter M6. Nut.	
N	16	734 11 53-01	8														8	Bricka. Washer.	
N	17	15 12 379-01	2														2	Överfall. Clamp.	
N	18	15 12 371-01	8														8	Pinnskruv. Stud.	
N	20	15 16 348-01	2														2	Slanghållare. Hoseholder.	
N	21	725 23 68-53	2														2	Skruv M6x16. Screw.	
N	22	15 12 453-01	2														2	Fjäder. Spring.	
N		15 12 453-02															2	Fjäder. Spring.	
N	23	15 13 719-01	2														2	O-ring. O-ring.	
N	24	15 12 410-01	2														2	Toppskruv. Topscrew.	
N	25	15 12 356-01	2														2	Ventil. Valve.	
N	26	725 53 74-01	8														8	Skruv M6x30. Screw.	
N	27	15 13 059-01	2														2	Överfall. Clamp.	
N	29	15 12 329-01	1														1	Mutter. Nut.	
N	30	15 12 404-01	1														1	Gaffelkrona, övre. Tripleclamp, upper.	
N	31	725 54 57-01	8														8	Skruv M8x35. Screw.	



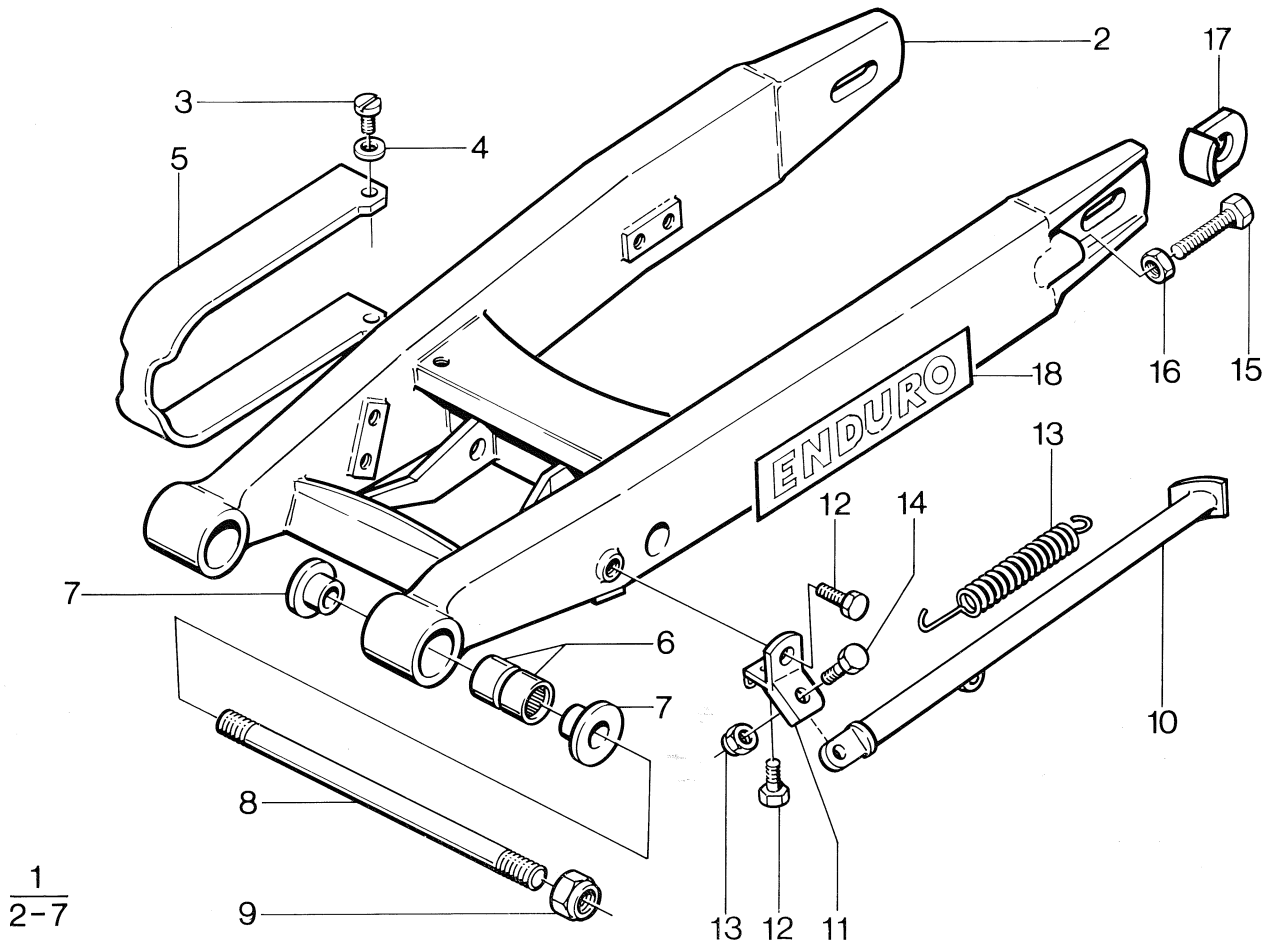
N	Fig.	Reservdel nr Spare part no.	ANTAL - QUANTITY																Benämning, Description	Not.
			125		240		250			400		430		430 Aut.		500				
			WR	CR	WR	CR	EU WR	US WR	XC	WR	CR	WR	XC	EU	US	CR	XC			
	32	15 12 327-01	1		1			1	1	1	1			1	1	1	1	1	Mutter. Nut.	
	33	15 13 141-01	2		2			2	2	2	2			2	2	2	2	2	Styrhållare kpl. Handlebar retainer compl.	
	34	725 24 97-81	2		2			2	2	2	2			2	2	2	2	2	Skruv M10x35. Screw.	
	35	15 12 328-01	1		1			1	1	1	1			1	1	1	1	1	Distans. Spacer.	
	37	15 12 391-01	2		2			2	2	1	2			2	1	2	2	2	Wirestyrare. Cable guide.	
	38	15 12 325-01	1		1			1	1	1	1			1	1	1	1	1	Bricka. Washer.	
	39	735 31 26-00	1		1			1	1	1	1			1	1	1	1	1	Spärring. Circlip.	
	43	15 12 409-01	1		1			1	1	1	1			1	1	1	1	1	Gaffelkrona kpl. Lower Tripleclamp.	
	44	734 11 73-01	2		2			2	2	2	2			2	2	2	2	2	Bricka. Washer.	
	45	15 12 417-01									2					2			Gaffelben, övre. Forkleg. upper.	
		15 12 417-02	2		2			2	2	2	2			2	2	2	2	2	Gaffelben, övre. Forkleg. upper.	
	46	15 12 414-01	2		2			2	2	2	2			2	2	2	2	2	Bussning. Bushing.	
	47	15 12 418-01	2		2			2	2	2	2			2	2	2	2	2	Bussning. Bushing.	
	48	15 12 415-01	2		2			2	2	2	2			2	2	2	2	2	Bricka. Washer.	
	49	15 12 416-01	2		2			2	2	2	2			2	2	2	2	2	Spärring. Circlip.	
	50	15 12 458-01									1					1			Distans. Spacer.	
N	51	15 12 447-01	2		2			2	2	2	2			2	2	2	2	2	Dämpkona. Dampingcone.	
N	52	15 12 451-01	2		2			2	2	2	2			2	2	2	2	2	Ventilstöd. Valvesupport.	
N	53	15 12 452-01	2		2			2	2	2	2			2	2	2	2	2	Ventil. Valve.	
N	54	15 12 450-01	2		2			2	2	2	2			2	2	2	2	2	Ventilhus. Valvehousing.	
N	55	15 12 446-01									2					2			Returfjäder. Return spring.	
N		15 12 446-02	2		2			2	2	2	2			2	2	2	2	2	Returfjäder. Return spring.	
N	56	15 12 444-01	2		2			2	2	2	2			2	2	2	2	2	Bottenplugg. Endplug.	
N	57	15 12 445-01	2		2			2	2	2	2			2	2	2	2	2	Fjäder. Spring.	
N	58	15 12 449-01	2		2			2	2	2	2			2	2	2	2	2	Backventil. Valve.	
N	59	15 12 442-01	2		2			2	2	2	2			2	2	2	2	2	Dämsindel kpl. Spindle compl.	



10
5-9

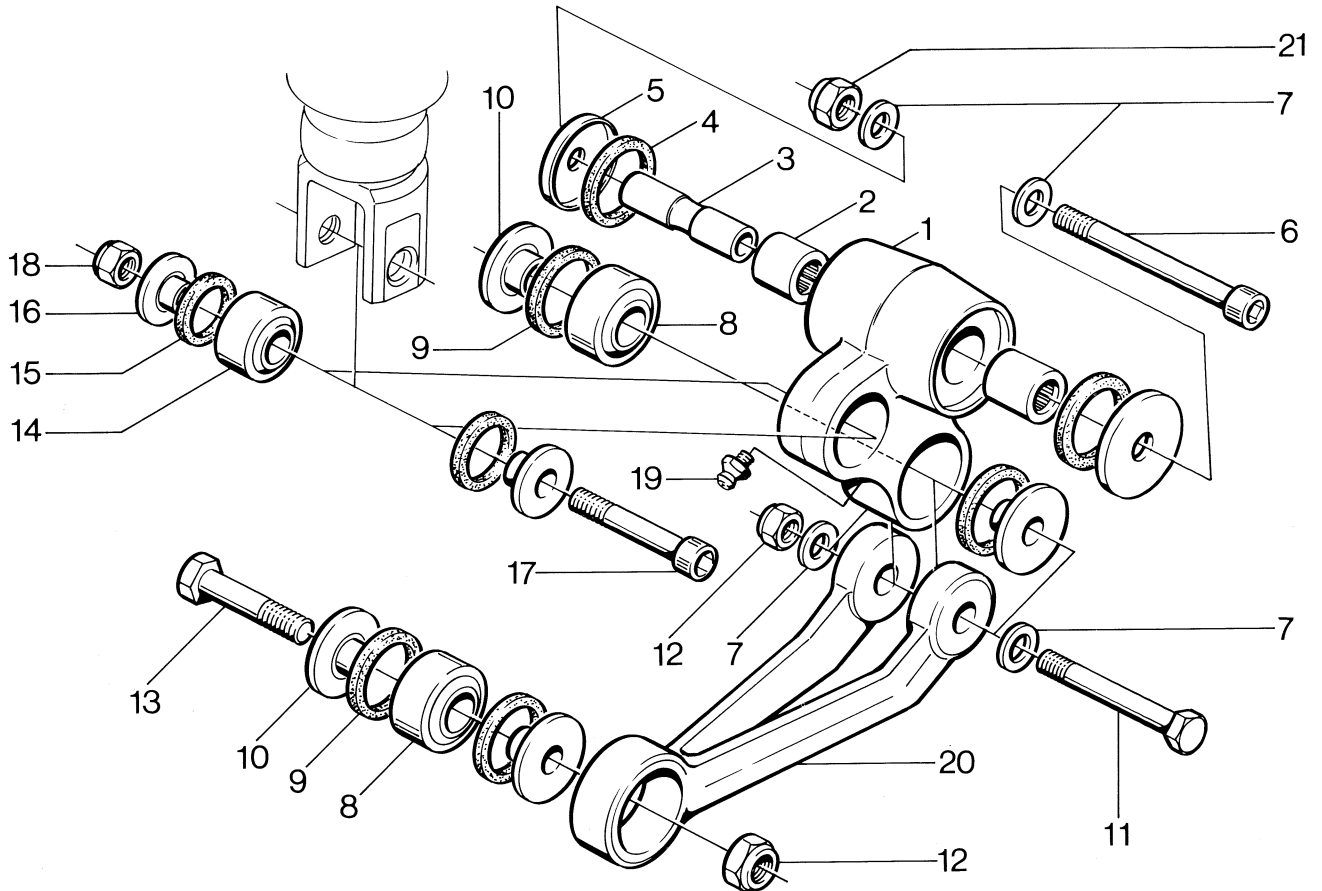
11
12-19

N	Fig.	Reservdel nr Spare part no.	ANTAL – QUANTITY														Benämning, Description	Not.			
			125			240			250			400		430		430 Aut.			500		
			WR	CR	WR	CR	EU WR	US WR	XC	WR	CR	WR	XC	EU	US	CR			XC		
N	1	15 12 470-01				1											1		Gaffelben höger, kpl. Forkleg right, compl.		
N		15 12 471-01				1											1		Gaffelben vänster, kpl. Forkleg left, compl.		
N	2	15 12 472-01				1											1		Gaffelkrona övre. Fork crown, upper.		
	3	15 12 329-01				1											1		Slutmutter. Nut.		
	4	15 12 327-01				1											1		Styrlagermutter. Bearing nut.		
	5	15 12 328-02				1											1		Distansring. Spacer ring.		
	8	15 12 325-01				1											1		Bricka. Washer.		
	9	735 31 26-00				1											1		Spärring. Circlip.		
N	10	15 12 474-01				1											1		Gaffelkrona undre, kpl. Fork crown, lower.		
N	11	15 12 476-01				2											2		Styrhållare kpl. Steering holder compl.		
N	15	15 12 479-01				1											1		Skruv M10x60. Screw.		
N	16	15 12 481-01				2											2		Bricka. Washer.		
N	17	15 12 482-01				2											2		Gummibussning. Rubber bushing.		
N	18	15 12 480-01				1											1		Hylsa. Sleeve.		
	19	732 21 20-01				1											1		Mutter M10, Nut.		
	20	725 54 57-01				8											8		Skruv M8x40. Screw.		
N	21	15 12 483-01				2											2		Stenskoottsdydd. Guard.		
N	22	15 12 484-01				1											1		Styrning, vänster. Guide, left.		
N		15 12 485-01				1											1		Styrning, höger. Guide, right.		
N	23	15 12 486-01				1											1		Slanghållare. Hose holder.		

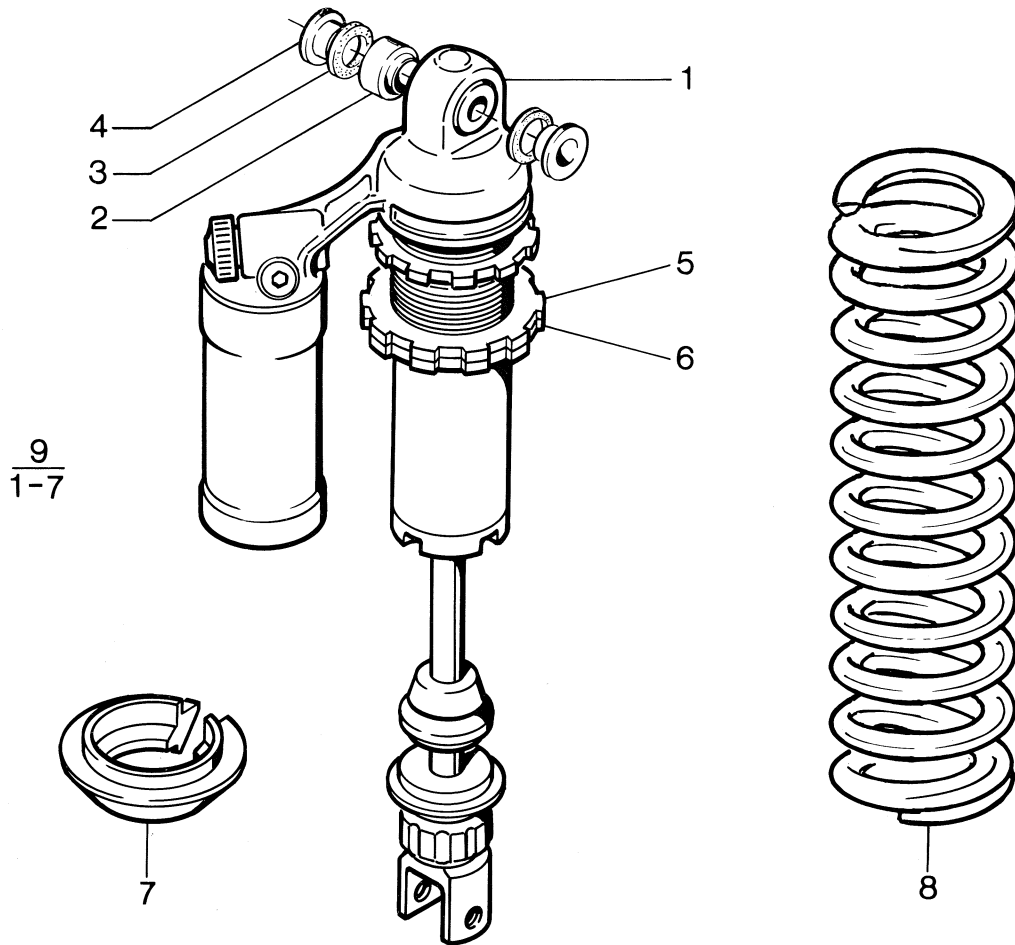


1
2-7

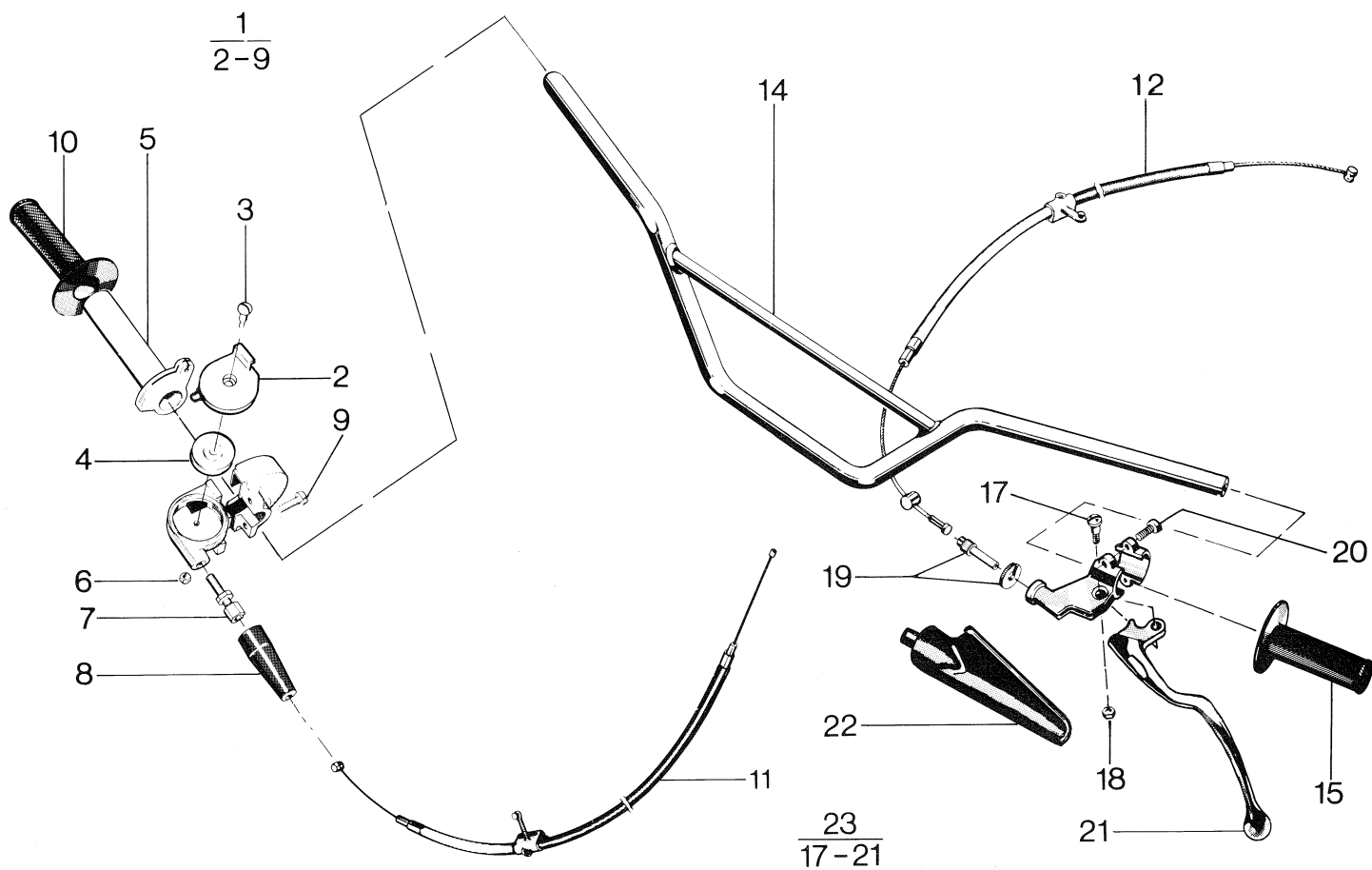
N	Fig.	Reservdel nr Spare part no.	ANTAL - QUANTITY												Benämning, Description	Not.			
			125		240		250			400		430		430 Aut.			500		
			WR	CR	WR	CR	EU WR	US WR	XC	WR	CR	WR	XC	EU			US	CR	XC
N	1	15 11 496-01		1		1											1	Bakgaffel kpl. Rear fork.	
N	1	15 11 496-02	1		1		1	1	1	1	1	1	1	1			1	Bakgaffel kpl. Rear fork.	
	3	723 13 66-00	2	2	2	2	2	2	2	2	2	2	2	2	2	2	2	Skruv M6x12. Screw.	
	4	734 49 26-01	2	2	2	2	2	2	2	2	2	2	2	2	2	2	2	Bricka 6,7x16. Washer.	
N	5	15 11 554-01	1	1	1	1	1	1	1	1	1	1	1	1	1	1	1	Slitskydd. Protection.	
	6	15 11 277-01	4	4	4	4	4	4	4	4	4	4	4	4	4	4	4	Nållager. Needle bearing.	
	7	15 11 278-01	4	4	4	4	4	4	4	4	4	4	4	4	4	4	4	Distans. Distance.	
	8	15 11 248-01	1	1	1	1	1	1	1	1	1	1	1	1	1	1	1	Fästbult. Bolt.	
	9	15 11 249-01	2		2		2	2	2	2		2	2	2			2	Låsmutter. Locking nut.	
	10	15 10 604-04	1		1		1	1	1	1		1	1	1			1	Ben kpl parkeringsstöd. Side stand.	
N	11	15 15 553-02	1		1		1	1	1	1		1	1	1			1	Fäste kpl parkeringsstöd. Attachment.	
	12	725 24 51-51	1		1		1	1	1	1		1	1	1			1	Skruv M 8x20. Screw.	
	13	15 13 707-01	1		1		1	1	1	1		1	1	1			1	Låsmutter M8. Locking nut.	
	14	725 24 55-51	1		1		1	1	1	1		1	1	1			1	Skruv M 8x30. Screw.	
	15	725 24 60-71	2		2		2	2	2	2		2	2	2			2	Skruv M 8x45. Screw.	
	16	731 23 18-01	2		2		2	2	2	2		2	2	2			2	Mutter M 8. Nut.	
	17	15 16 867-01	2	2	2	2	2	2	2	2	2	2	2	2	2	2	2	Spännbricka. Adjustment washer.	
	18	15 17 850-01	2		2		2	2		2		2		2			2	Dekal "Enduro". Decal.	
		15 17 850-02							2			2					2	Dekal "Cross Country". Decal.	
		15 17 850-03		2		2											2	Dekal "Motocross". Decal.	



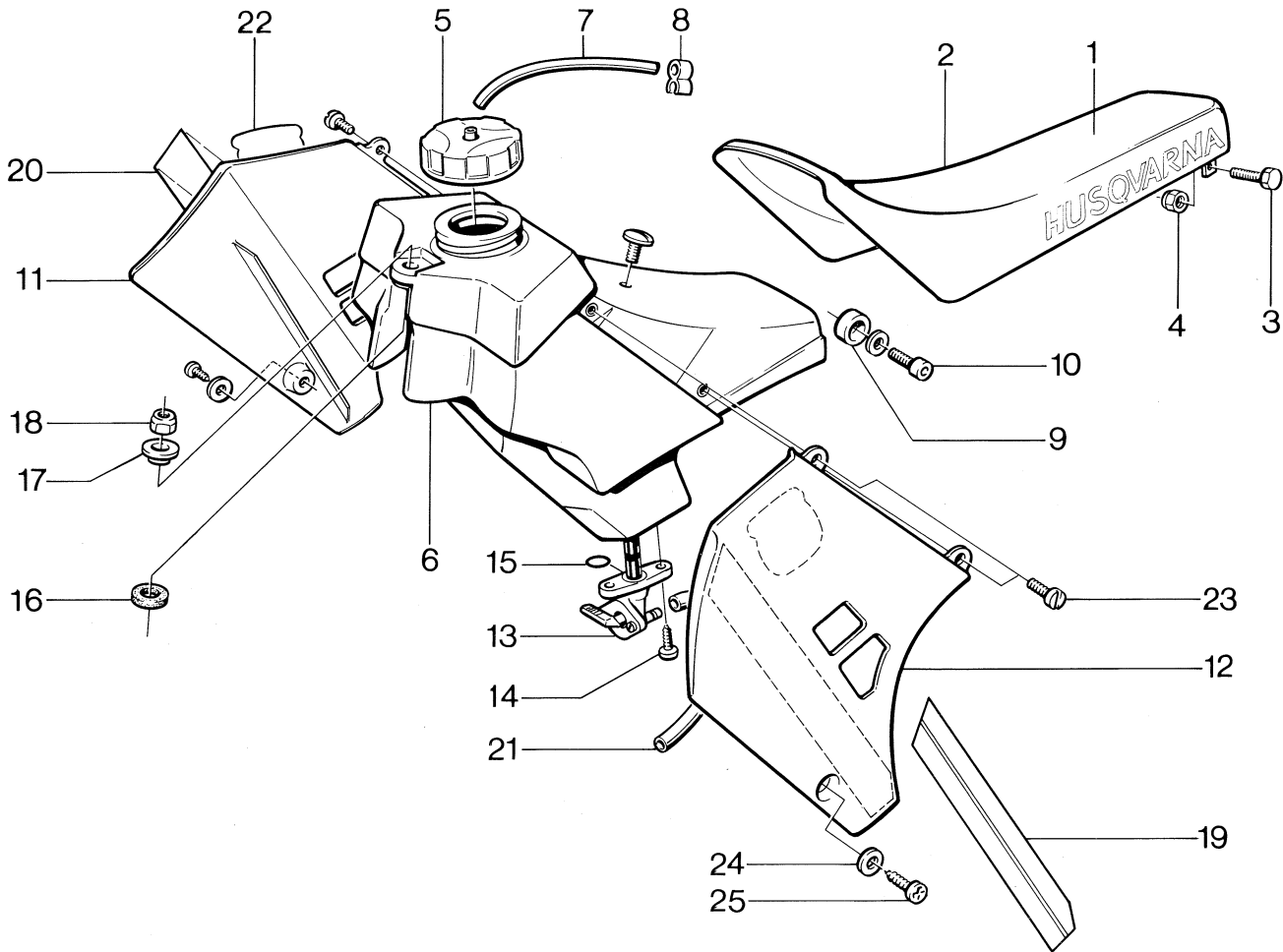
N	Fig.	Reservdel nr Spare part no.	ANTAL – QUANTITY																Benämning, Description	Not.			
			125			240			250			400			430			430 Aut.			500		
			WR	CR	WR	CR	EU	US	XC	WR	CR	WR	XC	EU	US	CR	XC	EU			US	CR	XC
N	1	15 11 506-01	1	1	1	1	1	1	1	1	1	1	1	1	1	1	1	1	1	1	1	Vertikallänk. Vertical link.	
	2	15 11 428-01	2	2	2	2	2	2	2	2	2	2	2	2	2	2	2	2	2	2	2	Nållager. Needle bearing.	
N	3	15 11 398-01	1	1	1	1	1	1	1	1	1	1	1	1	1	1	1	1	1	1	1	Lagerdistans. Spacer.	
	4	15 11 555-01	2	2	2	2	2	2	2	2	2	2	2	2	2	2	2	2	2	2	2	Tätning. Gasket.	
	5	15 11 241-01	2	2	2	2	2	2	2	2	2	2	2	2	2	2	2	2	2	2	2	Skyddsbricka. Protection washer.	
N	6	15 11 545-01	1	1	1	1	1	1	1	1	1	1	1	1	1	1	1	1	1	1	1	Bult M12x98. Bolt.	
	7	734 11 78-01	4	4	4	4	4	4	4	4	4	4	4	4	4	4	4	4	4	4	4	Bricka. Washer.	
	8	15 11 256-01	2	2	2	2	2	2	2	2	2	2	2	2	2	2	2	2	2	2	2	Ledlager. Bearing.	
	9	15 11 257-01	4	4	4	4	4	4	4	4	4	4	4	4	4	4	4	4	4	4	4	Tätning. Gasket.	
	10	15 11 258-01	4	4	4	4	4	4	4	4	4	4	4	4	4	4	4	4	4	4	4	Distans. Spacer.	
	11	15 11 553-01	1	1	1	1	1	1	1	1	1	1	1	1	1	1	1	1	1	1	1	Bult M12x70. Bolt.	
	12	15 13 705-01	2	2	2	2	2	2	2	2	2	2	2	2	2	2	2	2	2	2	2	Mutter M12x1. Nut.	
	13	15 11 244-01	1	1	1	1	1	1	1	1	1	1	1	1	1	1	1	1	1	1	1	Bult M12x50. Bolt.	
	14	15 11 332-01	1	1	1	1	1	1	1	1	1	1	1	1	1	1	1	1	1	1	1	Ledlager. Bearing.	
	15	15 11 334-01	2	2	2	2	2	2	2	2	2	2	2	2	2	2	2	2	2	2	2	Tätning. Gasket.	
	16	15 11 333-02	2	2	2	2	2	2	2	2	2	2	2	2	2	2	2	2	2	2	2	Distans. Spacer.	
N	17	15 11 558-01	1	1	1	1	1	1	1	1	1	1	1	1	1	1	1	1	1	1	1	Skruv M10. Screw.	
	18	732 21 20-01	1	1	1	1	1	1	1	1	1	1	1	1	1	1	1	1	1	1	1	Mutter M 10. Nut.	
	19	738 88 10-01	1	1	1	1	1	1	1	1	1	1	1	1	1	1	1	1	1	1	1	Smörjnippel. Greasing nipple.	
N	20	15 11 505-01	1	1	1	1	1	1	1	1	1	1	1	1	1	1	1	1	1	1	1	Horisontallänk. Horizontal link.	
	21	732 21 22-01	1	1	1	1	1	1	1	1	1	1	1	1	1	1	1	1	1	1	1	Mutter M12. Nut.	



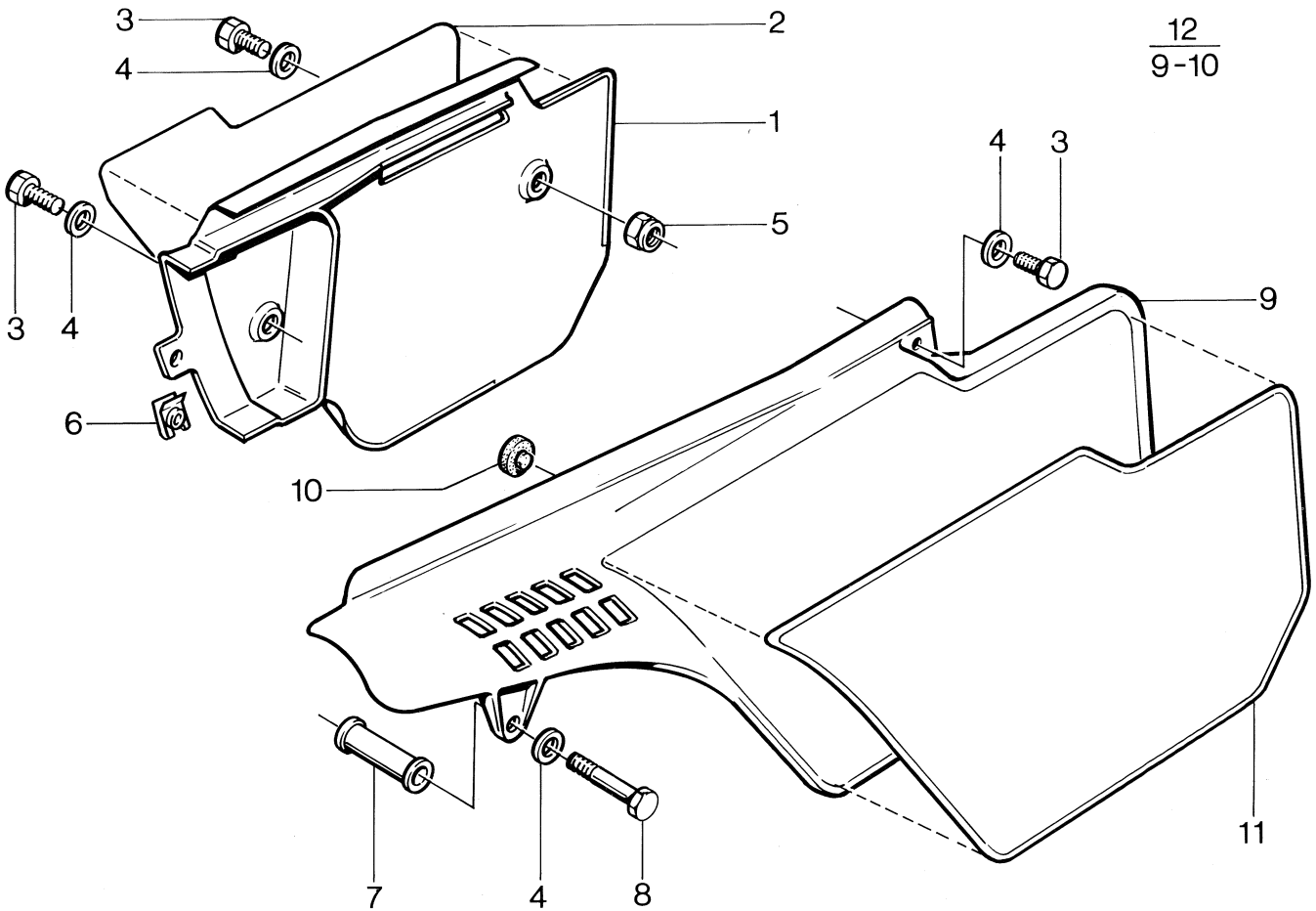
N	Fig.	Reservdel nr Spare part no.	ANTAL – QUANTITY														Benämning, Description	Not.	
			125		240		250			400		430		430 Aut.		500			
			WR	CR	WR	CR	EU WR	US WR	XC	WR	CR	WR	XC	EU	US	CR			XC
	2	15 11 332-01	1	1	1	1	1	1	1	1	1	1	1	1	1	1	1	Kulled, övre. Ball joint.	
	3	15 11 334-01	2	2	2	2	2	2	2	2	2	2	2	2	2	2	2	Tätning. Seal.	
	4	15 11 333-01	2	2	2	2	2	2	2	2	2	2	2	2	2	2	2	Distans. Spacer.	
	5	15 11 328-01	1	1	1	1	1	1	1	1	1	1	1	1	1	1	1	Justermutter. Adjusting nut.	
	6	15 11 329-01	1	1	1	1	1	1	1	1	1	1	1	1	1	1	1	Justermutter. Adjusting nut.	
	7	15 11 574-01	1	1	1	1	1	1	1	1	1	1	1	1	1	1	1	Fjäderclips. Springclip.	
N	8	15 11 573-03	1	1	1	1	1	1	1	1	1	1	1	1	1	1	1	Fjäder violett-röd-violett 47 N/mm. Spring purple-red-purple.	
N		15 11 573-01																Fjäder violett-svart-violett 43 N/mm. Spring purple-black-purple.	
N		15 11 573-02																Fjäder violett-blå-violett 45 N/mm. Spring purple-blue-purple.	
N		15 11 573-04		1		1				1								Fjäder violett-vit-violett 49 N/mm. Spring purple-white-purple.	
N		15 11 573-05									1		1			1	1	Fjäder svart-violett-svart 51 N/mm. Spring black-purple-black.	
N	9	15 11 509-01		1		1			1									Stötdämpare, kpl. Shock absorber.	
N		15 11 509-02	1		1		1	1		1	1		1	1				Stötdämpare, kpl. Shock absorber.	
N		15 11 509-03									1	1				1	1	Stötdämpare, kpl. Shock absorber.	



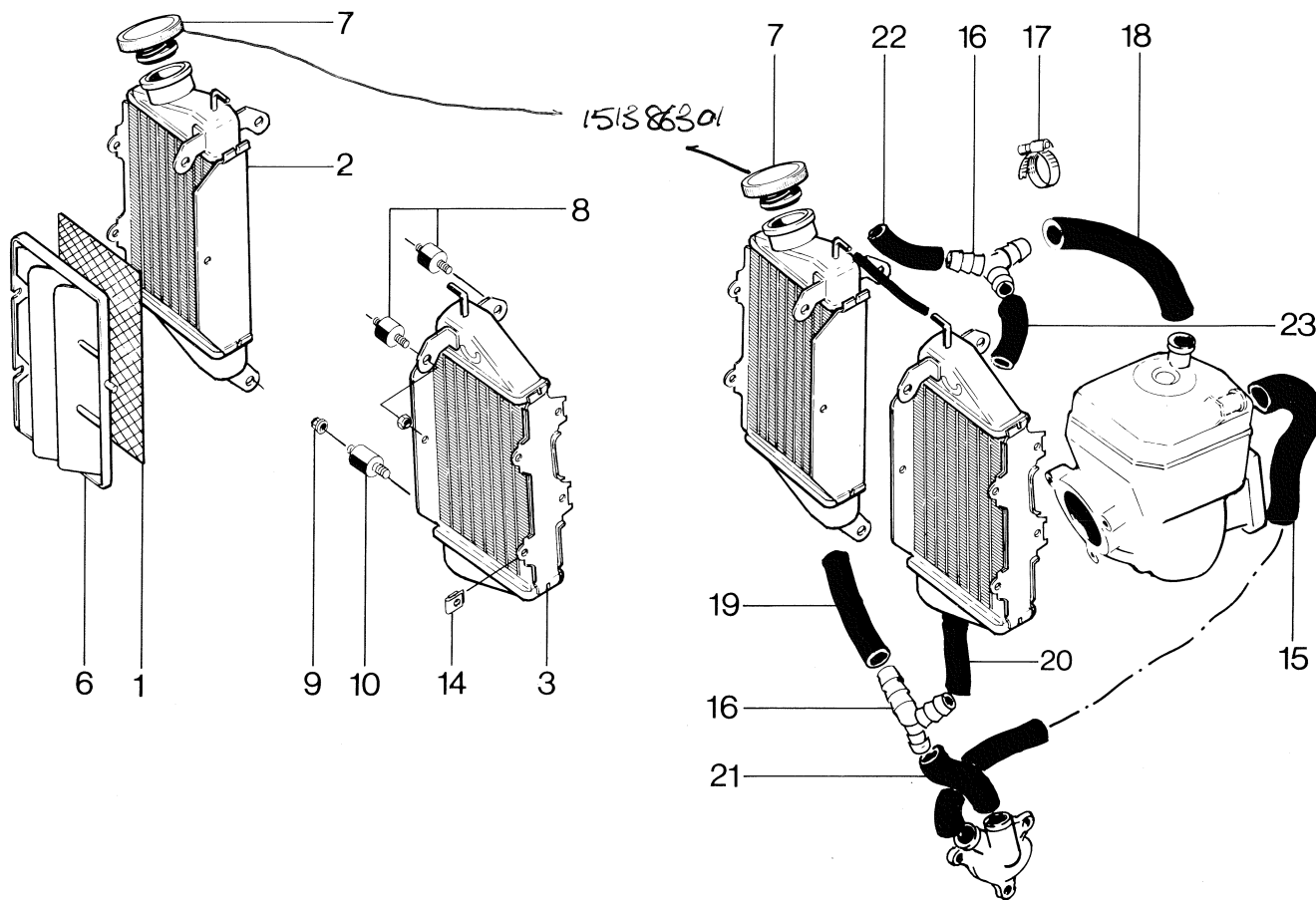
N	Fig.	Reservdel nr Spare part no.	ANTAL – QUANTITY														Benämning, Description	Not.	
			125		240		250			400		430		430 Aut.		500			
			WR	CR	WR	CR	EU	US	XC	WR	CR	WR	XC	EU	US	CR			XC
	1	15 15 325-01	1	1	1	1	1	1	1	1	1	1	1	1	1	1	1	Gashandtag, kpl. Throttle handle compl.	
		15 15 325-02																Gashandtag, kpl. Throttle handle compl.	
	2	15 15 326-01	1	1	1	1	1	1	1	1	1	1	1	1	1	1	1	Skyddslock. Protect washer.	
	3	15 15 322-01	1	1	1	1	1	1	1	1	1	1	1	1	1	1	1	Skruv. Screw.	
	4	15 15 283-01	1	1	1	1	1	1	1	1	1	1	1	1	1	1	1	Brytrulle. Plastic roller.	
	6	73 22 112-01	1	1	1	1	1	1	1	1	1	1	1	1	1	1	1	Läsmutter M4. Nut.	
	7	15 15 261-01	1	1	1	1	1	1	1	1	1	1	1	1	1	1	1	Justernippel. Nipple.	
	8	15 15 262-01	1	1	1	1	1	1	1	1	1	1	1	1	1	1	1	Skyddshylsa. Protecting sleeve.	
	9	72 31 329-51	2	2	2	2	2	2	2	2	2	2	2	2	2	2	2	Skruv M5 x 16. Screw.	
	10	15 15 266-01	1	1	1	1	1	1	1	1	1	1	1	1	1	1	1	Gummihandtag, höger. Rubber handle right.	
	11	15 15 277-01	1		1		1	1	1	1	1	1	1	1	1		1	Gaswire, kpl. Throttle wire.	
		15 15 277-02															1	Gaswire, kpl. Throttle wire.	
		15 15 277-03		1		1												Gaswire, kpl. Throttle wire.	
	12	15 15 308-03	1															Frikopplingswire, kpl. Declutching wire.	
		15 15 308-02		1	1	1	1	1	1	1	1	1						Frikopplingswire, kpl. Declutching wire.	
	14	15 13 148-01	1	1	1	1	1	1	1	1	1	1	1	1	1	1	1	Styrstång. Handle bar.	
	15	15 15 265-01	1	1	1	1	1	1	1	1	1	1	1	1	1	1	1	Gummihandtag, vänster. Rubber handle left.	
	17	12 13 810-01	1	1	1	1	1	1	1	1	1	1	1					Ansatskruv. Screw.	
	18	73 14 316-01	1	1	1	1	1	1	1	1	1	1	1					Mutter. Nut.	
	19	12 13 821-01	1	1	1	1	1	1	1	1	1	1	1					Kabelspännskruv. Cable adjusting screw.	
	20	72 31 368-01	2	2	2	2	2	2	2	2	2	2	2	2	2	2	2	Skruv. Screw.	
	21	15 15 315-01	1	1	1	1	1	1	1	1	1	1	1	1	1	1	1	Handtag, separat. Lever-blade.	
	22	15 13 074-01	1	1	1	1	1	1	1	1	1	1	1	1	1	1	1	Handtagsskydd. Handle protector.	
	23	15 15 314-01	1	1	1	1	1	1	1	1	1	1	1				1	Kopplingshandtag, kpl. Clutch-lever assembly.	



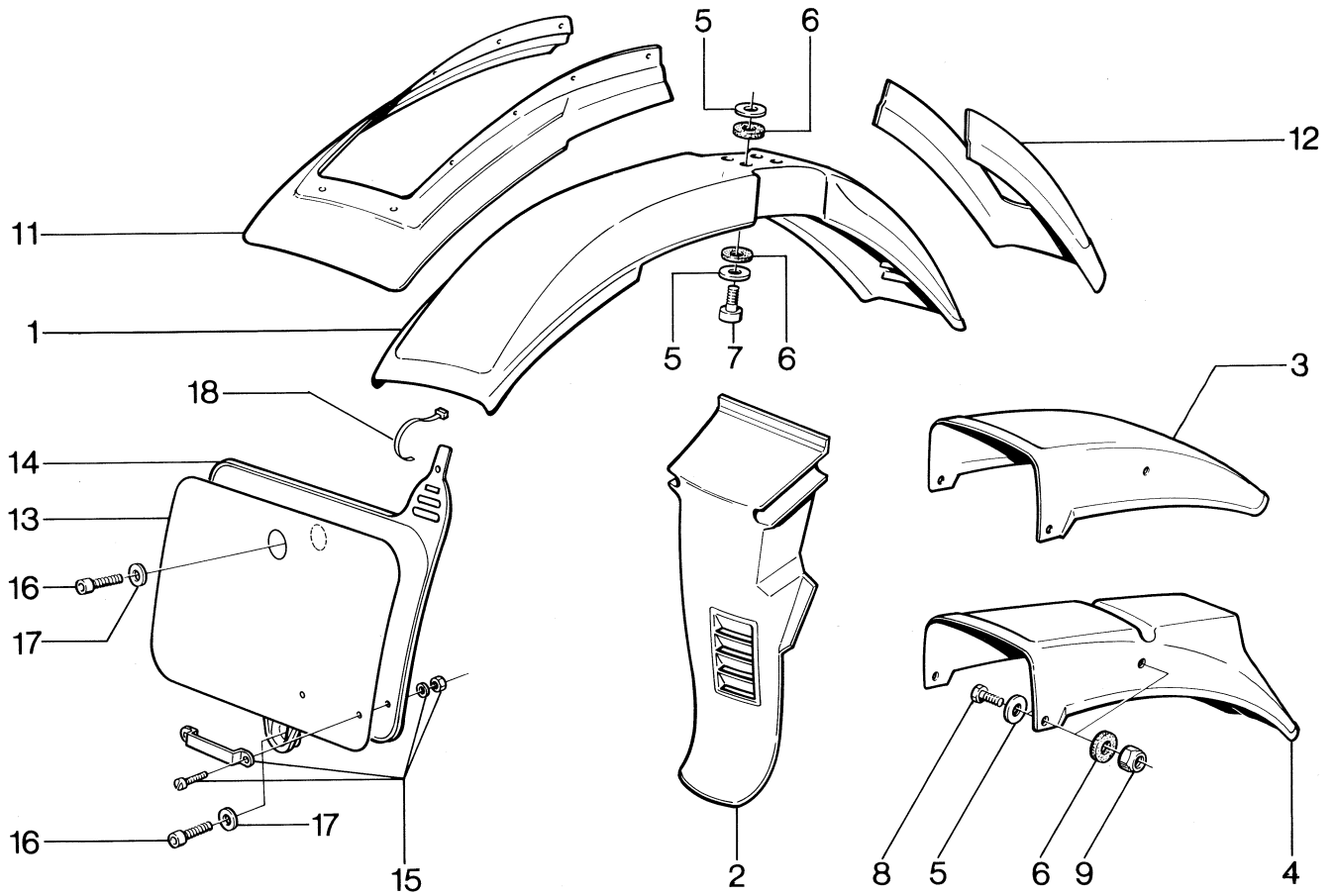
N	Fig.	Reservdel nr Spare part no.	ANTAL – QUANTITY														Benämning, Description	Not.			
			125			240			250			400		430		430 Aut.			500		
			WR	CR	WR	CR	EU WR	US WR	XC	WR	CR	WR	XC	EU	US	CR			XC		
N	1	15 13 591-01	1	1	1	1	1	1	1	1	1	1	1	1	1	1	1	Sadel, kpl. Saddle.			
N	2	15 13 592-01	1	1	1	1	1	1	1	1	1	1	1	1	1	1	1	Överdrag. Cover.			
	3	725 23 74-51	2	2	2	2	2	2	2	2	2	2	2	2	2	2	2	Skruv M6x30. Screw.			
	4	15 13 706-01	2	2	2	2	2	2	2	2	2	2	2	2	2	2	2	Mutter M6. Nut.			
	5	15 14 108-01	1	1	1	1	1	1	1	1	1	1	1	1	1	1	1	Tanklock kpl. Cover.			
N	6	15 13 801-01	1	1	1	1	1	1	1	1	1	1	1	1	1	1	1	Bensintank kpl. 10 liter. Petrol tank.			
N		15 13 801-02																Bensintank kpl. 12 liter. Petrol tank.			
	7	15 14 078-06	1	1	1	1	1	1	1	1	1	1	1	1	1	1	1	Ventilations slang. Vent hose.			
	8	15 15 809-01	1	1	1	1	1	1	1	1	1	1	1	1	1	1	1	Ventilationsnippel. Vent nipple.			
N	9	15 13 806-01	2	2	2	2	2	2	2	2	2	2	2	2	2	2	2	Gummi bakre tankfäste. Rubber.			
	10	725 54 51-01	2	2	2	2	2	2	2	2	2	2	2	2	2	2	2	Skruv M 8x20. Screw.			
N	11	15 13 804-01	1	1	1	1	1	1	1	1	1	1	1	1	1	1	1	Spoiler höger. Spoiler, right.			
N		15 13 855-01																			
N	12	15 13 805-01	1	1	1	1	1	1	1	1	1	1	1	1	1	1	1	Spoiler vänster. Spoiler, left.			
N		15 13 854-01																			
	13	15 14 109-01	1	1	1	1	1	1	1	1	1	1	1	1	1	1	1	Bensinkran. Petrol cock.			
	14	15 14 110-01	2	2	2	2	2	2	2	2	2	2	2	2	2	2	2	Skruv. Screw.			
	15	740 48 11-02	1	1	1	1	1	1	1	1	1	1	1	1	1	1	1	O-ring.			
	16	15 11 570-01	1	1	1	1	1	1	1	1	1	1	1	1	1	1	1	Gummibricka. Rubber washer.			
	17	15 11 568-01	1	1	1	1	1	1	1	1	1	1	1	1	1	1	1	Bricka, tankfäste. Washer.			
	18	732 21 16-01	1	1	1	1	1	1	1	1	1	1	1	1	1	1	1	Mutter. Nut.			
	19	15 17 955-01	1	1	1	1	1	1	1	1	1	1	1	1	1	1	1	Dekal, spoiler. vänster. Decal spoiler, left.			
	20	15 17 954-01	1	1	1	1	1	1	1	1	1	1	1	1	1	1	1	Dekal, spoiler, höger. Decal spoiler, right.			
	21	15 14 057-02	1	1	1	1	1	1	1	1	1	1	1	1	1	1	1	Bensinslang. Petrol hose.			
	22	15 14 120-01	2	2	2	2	2	2	2	2	2	2	2	2	2	2	2	Dekal. Decal.			
	23	15 13 807-01	4	4	4	4	4	4	4	4	4	4	4	4	4	4	4	Skruv M6. Screw.			
	24	734 49 26-01	2	2	2	2	2	2	2	2	2	2	2	2	2	2	2	Bricka 6,7x16. Washer.			
	25	729 54 14-01	2	2	2	2	2	2	2	2	2	2	2	2	2	2	2	Skruv. Screw.			



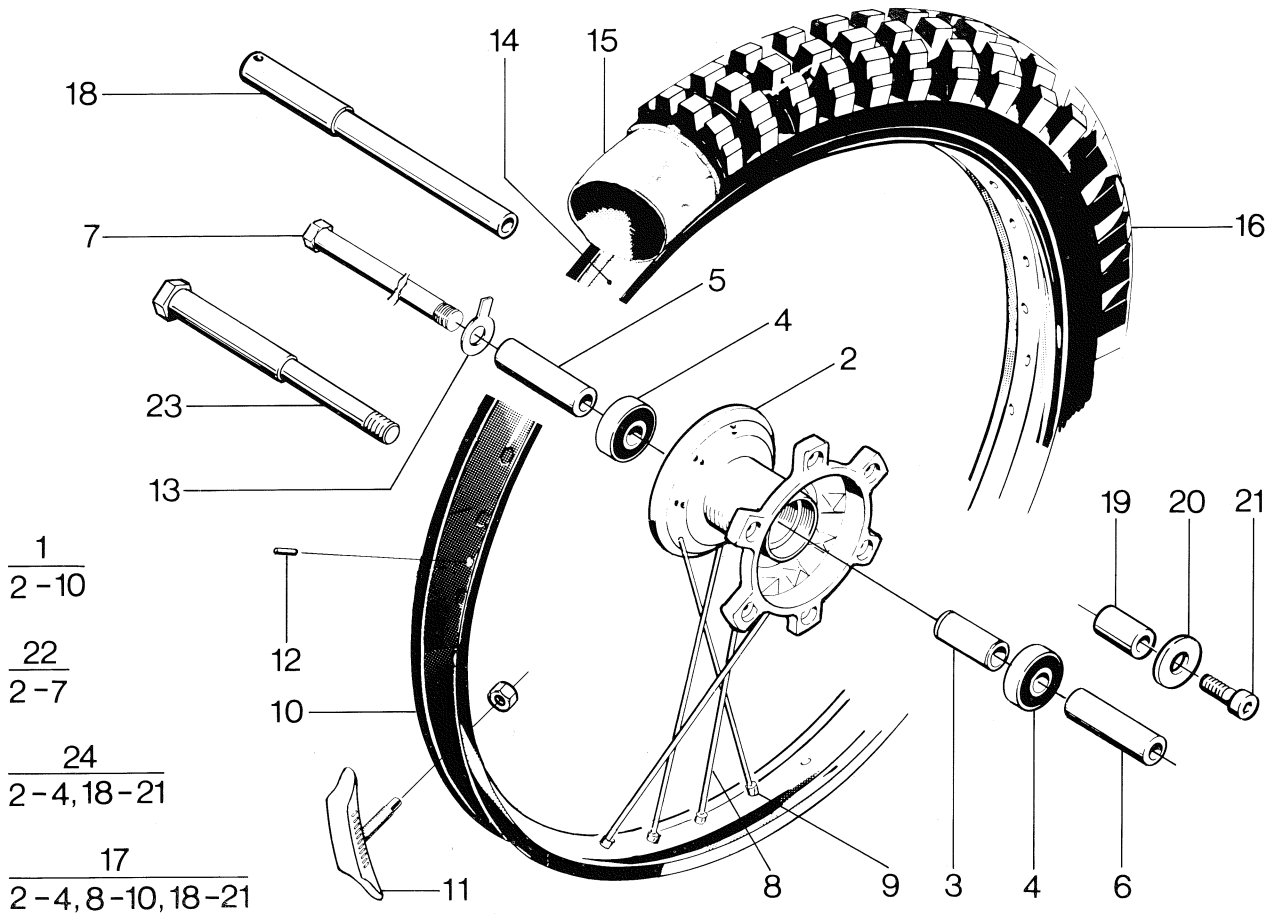
N	Fig.	Reservdel nr Spare part no.	ANTAL – QUANTITY														Benämning, Description	Not.			
			125			240			250			400		430		430 Aut.			500		
			WR	CR	WR	CR	EU WR	US WR	XC	WR	CR	WR	XC	EU	US	CR			XC		
N	1	15 15 839-01			1						1							1	1	Sidopanel, höger. Sidepanel, right.	
N	2	15 15 841-01			1						1							1	1	Nummerdekal, gul. Decal, yellow.	
		15 15 841-02																		Nummerdekal, vit. Decal, white.	
		15 15 841-03																		Nummerdekal, grön. Decal, green.	
	3	725 23 68-51			3						3							3	3	Skruv M6x16. Screw.	
	4	15 13 734-01			4						4							4	4	Bricka 6,4x14. Washer.	
	5	15 13 706-01			1						1							1	1	Låsmutter M6. Locking nut.	
	6	15 13 745-01			1						1							1	1	Snabbmutter. Nut.	
	7	15 19 767-02			1						1							1	1	Distans. Spacer.	
	8	725 23 81-53			1						1							1	1	Skruv M6x55. Screw.	
	10	15 15 810-01			3						3							3	3	Värmskydd. Heat protector.	
N	11	15 15 840-01			1						1							1	1	Nummerdekal, vänster, gul. Decal, yellow.	
		15 15 840-02																		Nummerdekal, vit. Decal, white.	
		15 15 840-03																		Nummerdekal, grön. Decal, green.	
N	12	15 15 837-01			1						1							1	1	Sidopanel, vänster. Sidepanel, left.	



N	Fig.	Reservdel nr Spare part no.	ANTAL – QUANTITY																Benämning, Description	Not.
			125		240		250			400		430		430 Aut.		500				
			WR	CR	WR	CR	EU WR	US WR	XC	WR	CR	WR	XC	EU	US	CR	XC			
	1	15 13 905-01	2	2	2	2	2	2	2	2	2	2	2	2	2	2	2	Kylargaller. Screen.		
	2	15 13 902-01	1	1	1	1	1	1	1	1	1	1	1	1	1	1	1	Kylare. Radiator.		
	3	15 13 904-01	1	1	1	1	1	1	1	1	1	1	1	1	1	1	1	Kylare. Radiator.		
	6	15 13 906-01	2	2	2	2	2	2	2	2	2	2	2	2	2	2	2	Stänkskydd. Splash shield.		
	7	15 14 120-01	1	1	1	1	1	1	1	1	1	1	1	1	1	1	1	Kylarlock. Radiator lock.		
	8	15 17 090-01	4	4	4	4	4	4	4	4	4	4	4	4	4	4	4	Vibrationsdämpare L=20 mm. Damper.		
	9	15 13 706-01	8	8	8	8	8	8	8	8	8	8	8	8	8	8	8	Mutter M6. Nut.		
	10	15 17 090-05	2	2	2	2	2	2	2	2	2	2	2	2	2	2	2	Vibrationsdämpare L=10 mm. Damper.		
	14	15 13 907-01	6	6	6	6	6	6	6	6	6	6	6	6	6	6	6	Snabbmutter. Nut.		
	15	16 17 965-01		1	1	1	1	1	1	1	1	1	1	1	1	1	1	Kylarslang. Hose.		
	16	15 14 149-01	2	2	2	2	2	2	2	2	2	2	2	2	2	2	2	Förgrening. Y-branch.		
	17	15 13 740-01	12	12	12	12	12	12	12	12	12	12	12	12	12	12	12	Slangklämma. Hose clamp.		
	18	15 13 916-04																Kylarslang. Hose.		
		15 13 916-02		1	1	1	1	1	1									Kylarslang. Hose.		
		15 13 916-03	1															Kylarslang. Hose.		
	19	15 13 914-01	1															Kylarslang. Hose.		
		15 13 917-01			1	1	1	1	1	1	1	1	1	1	1	1	1	Kylarslang. Hose.		
		15 13 858-01		1		1												Kylarslang. Hose.		
	20	15 13 915-01	1															Kylarslang. Hose.		
		15 13 916-04		1	1	1	1	1	1	1	1	1				1	1	Kylarslang. Hose.		
		15 14 148-02											1	1				Kylarslang. Hose.		
	21	15 13 918-01	1															Kylarslang. Hose.		
		15 13 919-01		1	1	1	1	1	1	1	1	1	1	1	1	1	1	Kylarslang. Hose.		
		15 13 913-01	1	1	1	1	1	1	1	1	1	1	1	1	1	1	1	Kylarslang. Hose.		
	23	15 13 913-02	1	1	1	1	1	1	1	1	1	1	1	1	1	1	1	Kylarslang. Hose.		



N	Fig.	Reservdel nr Spare part no.	ANTAL – QUANTITY														Benämning, Description	Not.				
			125			240			250			400			430				430 Aut.		500	
			WR	CR	WR	CR	EU WR	US WR	XC	WR	CR	WR	XC	EU	US	CR			XC			
	1	15 18 047-02	1	1	1	1	1	1	1	1	1	1	1	1	1	1	1	1	Framsärm. Front mudguard.			
	2	15 13 746-01	1	1	1	1	1	1	1	1	1	1	1	1	1	1	1	1	Stänkskydd. Splash shield.			
N	3	15 13 587-01			1	1				1			1					1	Bakskärm. Rear mudguard.			
N	4	15 18 194-01	1		1		1	1				1							Bakskärm. Rear mudguard.			
	5	15 13 709-01	8	8	8	8	8	8	8	8	8	8	8	8	8	8	8	8	Bricka. Washer.			
	6	15 18 121-01	8	8	8	8	8	8	8	8	8	8	8	8	8	8	8	8	Gummibricka. Rubber washer.			
	7	725 53 72-01	4	4	4	4	4	4	4	4	4	4	4	4	4	4	4	4	Skruv M6 x25. Screw.			
	8	725 23 68-51	4	4	4	4	4	4	4	4	4	4	4	4	4	4	4	4	Skruv M6 x16. Screw.			
	9	732 21 16-01	4		4		4	4				4		4	4				Mutter M 6. Nut.			
	11	15 18 050-01																	Skärmbreddare. Widener.			
	12	15 18 049-01																	Förlängare. Lengthener.			
N	13	15 17 959-01		1		1				1			1				1	1	Dekal främre, gul. Decal front, yellow.			
		15 17 959-02																	Dekal vit. Decal white.			
		15 17 959-03																	Dekal grön. Decal green.			
N	14	15 18 233-01		1		1				1			1				1	1	Bromsångstyre kpl. Brake hose guide.			
N	15	15 18 234-01		1		1				1			1				1	1	Skruv M5x12. Screw.			
	16	723 13 27-51		1		1				1			1				1	1	Bricka. Washer.			
	17	734 48 80-01		1		1				1			1				1	1	Bricka. Washer.			
	18	15 19 532-05		1		1				1			1				1	1	Buntband. Ziptie.			



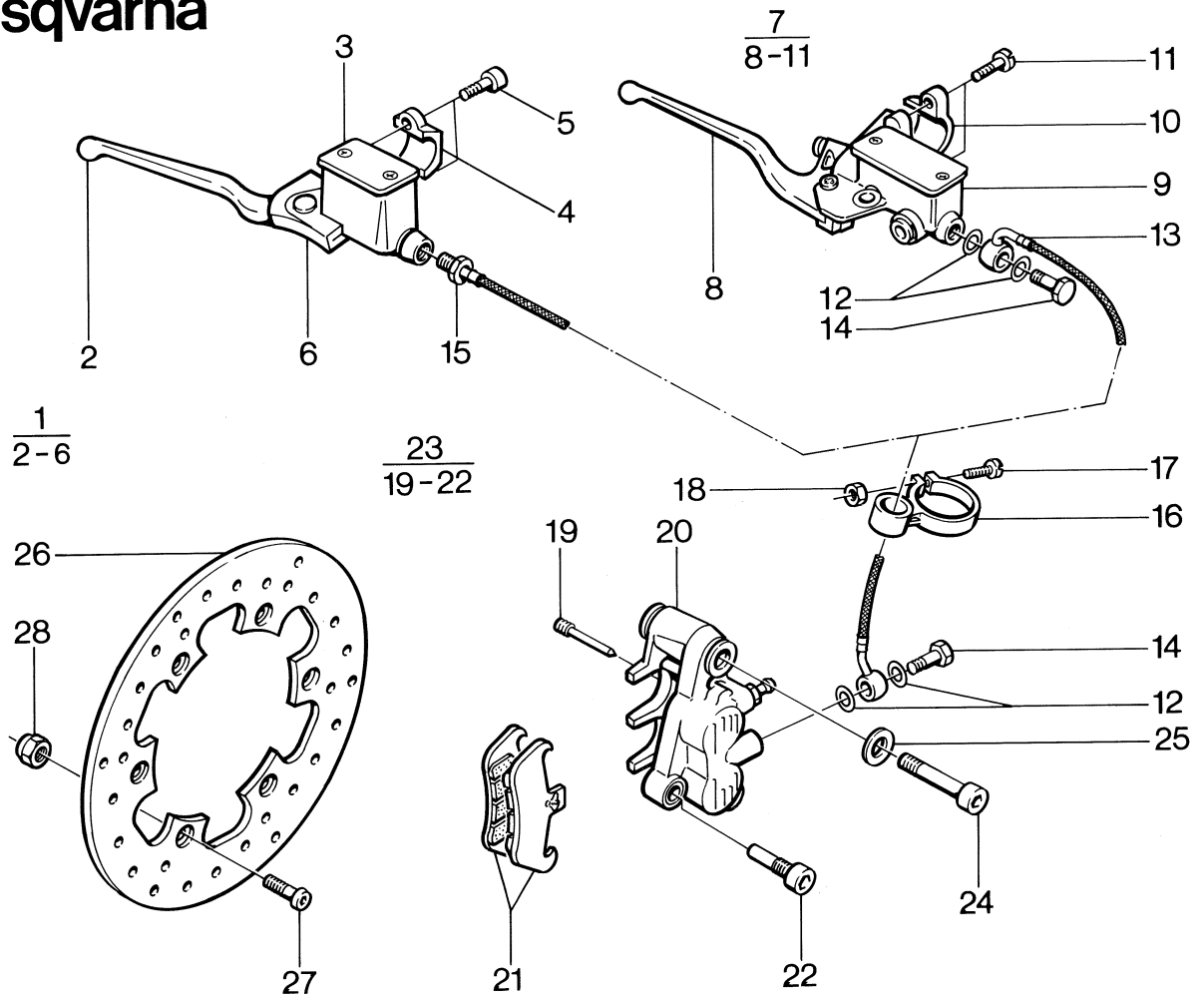
1
2-10

22
2-7

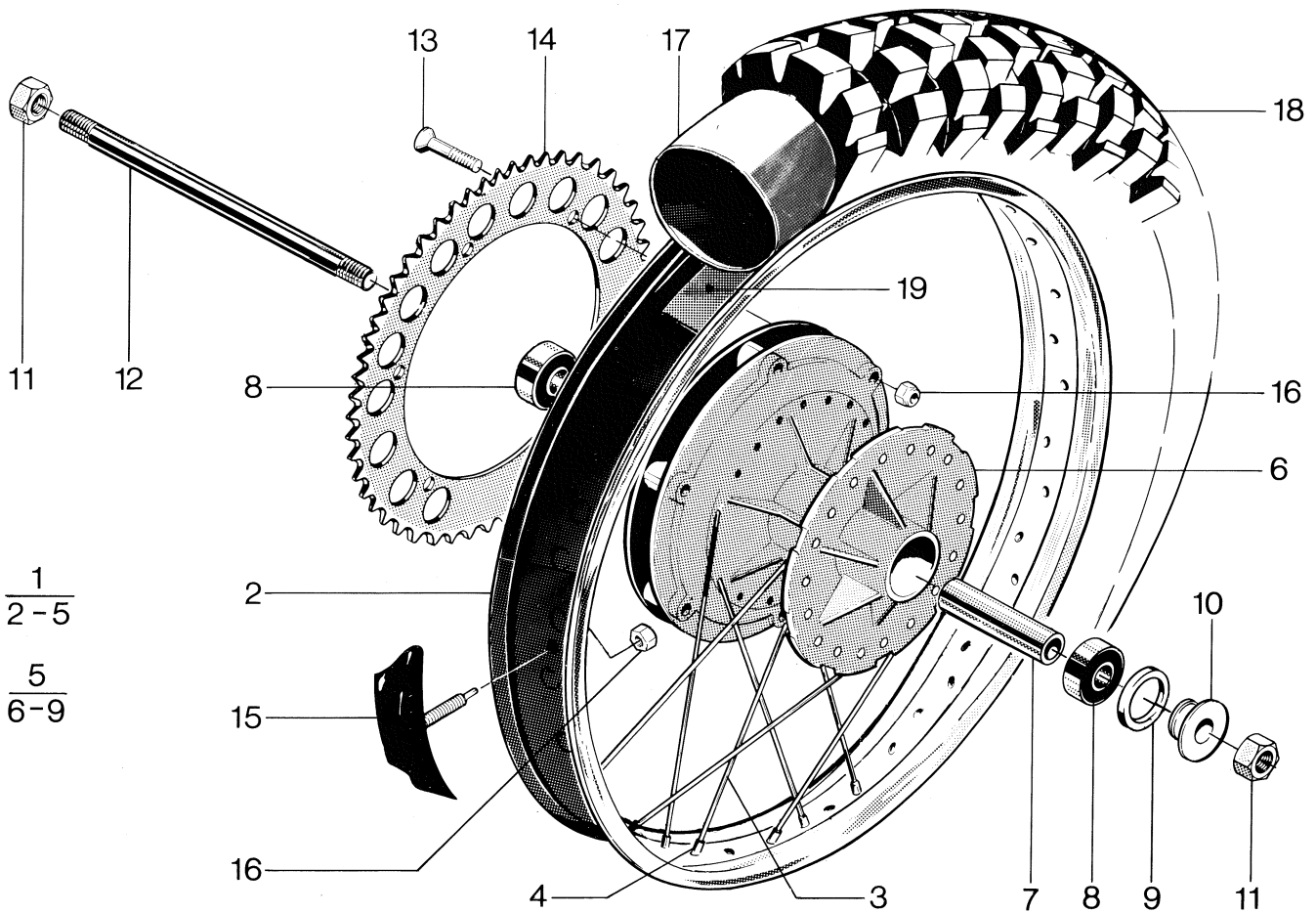
24
2-4, 18-21

17
2-4, 8-10, 18-21

N	Fig.	Reservdel nr Spare part no.	ANTAL - QUANTITY														Benämning, Description	Not.	
			125		240		250			400		430		430 Aut.		500			
			WR	CR	WR	CR	EU WR	US WR	XC	WR	CR	WR	XC	EU	US	CR			XC
N	1	15 17 975-01	1		1		1	1	1	1		1	1	1	1		1	Framhjul kpl. Front wheel compl.	
	2	15 16 324-01	1		1		1	1	1	1		1	1	1	1		1	Navhylsa. Hub sleeve.	
	3	15 16 350-01	1	1	1	1	1	1	1	1	1	1	1	1	1	1	1	Distans. Spacer.	
	4	728 23 02-34	2	2	2	2	2	2	2	2	2	2	2	2	2	2	2	Lager. Bearing.	
	5	15 16 352-01	1		1		1	1	1	1		1	1	1	1		1	Distans. Spacer.	
N	6	15 16 342-01	1		1		1	1	1	1		1	1	1	1		1	Mutter. Nut.	
	7	15 16 351-01	1		1		1	1	1	1		1	1	1	1		1	Axel. Shaft.	
	8	15 16 321-01	36	36	36	36	36	36	36	36	36	36	36	36	36	36	36	Eker. Spoke.	
	9	15 16 219-01	36	36	36	36	36	36	36	36	36	36	36	36	36	36	36	Nippel.	
	10	15 16 320-01	1	1	1	1	1	1	1	1	1	1	1	1	1	1	1	Fälg 1.60x21. Rim.	
	11	15 16 144-01		1	1		1	1	1	1		1	1	1	1	1	1	Däcklås. Rimlock.	
	12	720 12 32-00	18		18		18	18		18		18		18	18		18	Pinne. Pin.	
	13	15 16 355-01	1		1		1	1	1	1		1	1	1	1		1	Låsbricka. Washer.	
	14	15 16 029-01	1	1	1	1	1	1	1	1	1	1	1	1	1	1	1	Fälgband. Rimband.	
	15	15 16 028-01	1	1	1	1	1	1	1	1	1	1	1	1	1	1	1	Inner slang. Tube.	
	16	15 16 907-01		1	1		1	1	1	1	1	1	1	1	1	1	1	Däck 90/90x21 Metzeler MXR. Grip.	
		15 16 257-01	1		1		1	1	1	1		1	1	1	1		1	Däck 3.00x21 Trelleborg Deep. Grip.	
N	17	15 17 977-01		1	1		1	1	1	1		1	1	1	1		1	Framhjul kpl. WP. Front wheel compl.	
N	18	15 16 375-01		1	1		1	1	1	1		1	1	1	1		1	Framaxel. Front wheel axle W.P.	
N	19	15 16 376-01		1	1		1	1	1	1		1	1	1	1		1	Distans. Spacer W.P.	
N	20	734 11 73-01		1	1		1	1	1	1		1	1	1	1		1	Bricka. Washer. W.P.	
N	21	725 24 91-51		1	1		1	1	1	1		1	1	1	1		1	Skruv. Screw W.P.	
	22	15 16 323-01	1		1		1	1	1	1		1	1	1	1		1	Framnav kpl. Front hub compl.	
	23	15 16 338-01		1	1		1	1	1	1		1	1	1	1		1	Axel. Shaft.	
N	24	15 17 978-01		1	1		1	1	1	1		1	1	1	1		1	Framnav kpl. Front hub compl. W.P.	
		15 17 780-01																Ekersats. Spoke kit.	
		15 19 902-01																Nippelsats. Nipple kit.	



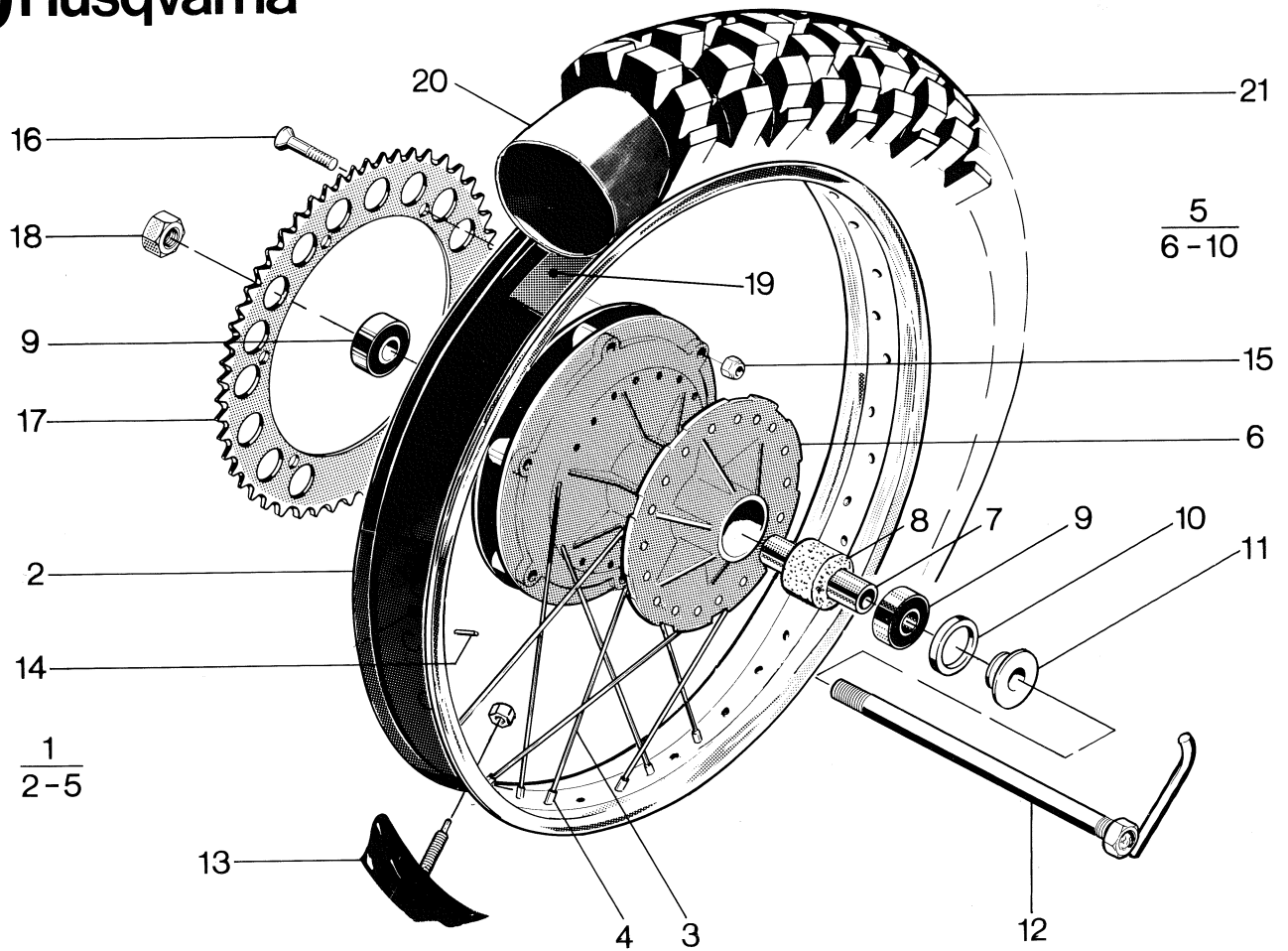
N	Fig.	Reservdel nr Spare part no.	ANTAL – QUANTITY														Benämning, Description	Not.		
			125		240		250			400		430		430 Aut.		500				
			WR	CR	WR	CR	EU	US	XC	WR	CR	WR	XC	EU	US	CR			XC	
	1	15 16 343-01		1		1		1	1			1	1	1		1	1	1	Huvudcylinder kpl Brembo. Main cylinder.	
	2	15 16 346-01		1		1		1	1			1	1	1		1	1	1	Handtag. Handle	
	6	15 16 356-01		1		1		1	1			1	1	1		1	1	1	Handtagsskydd. Handle protection.	
	7	15 16 353-01	1		1		1			1					1				Huvudcylinder kpl Magura. Main cylinder.	
	8	15 16 357-01	1		1		1			1					1				Handtag. Handle.	
N	12	15 16 371-01	4	2	4	2	4	2	2	4	2	2	2	4	2	2	2	2	Kopparbricka. Copper washer.	
N	13	15 16 372-01	1		1		1			1				1					Bromssläng. Brake hose.	
N	14	15 16 370-01	2	1	2	1	2	1	1	2	1	1	1	2	1	1	1	1	Hålskruv. Hole screw.	
	15	15 16 367-02						1				1			1				Bromssläng. Brake hose.	
N		15 16 367-01		1		1			1		1		1			1	1	1	Bromssläng. Brake hose.	
	16	15 12 391-01	2		2		2	2		2		2		2	2				Slangguide. Hose guide.	
	17	723 13 33-01	2		2		2	2		2		2		2	2				Skruv M5x25. Screw.	
	18	731 23 14-01	2		2		2	2		2		2		2	2				Mutter M5. Nut.	
N	19	15 16 364-01	1	1	1	1	1	1	1	1	1	1	1	1	2	1	1	1	Lås-pinne. Locking pin.	
N	21	15 16 363-01	1	1	1	1	1	1	1	1	1	1	1	1	2	1	1	1	Bromsbelägg. Brake pads.	
N	23	15 16 362-01	1	1	1	1	1	1	1	1	1	1	1	1	1	1	1	1	Bromscylinder kpl Brembo. Brake cylinder.	
N	24	725 54 95-51	1	1	1	1	1	1	1	1	1	1	1	2	1	1	1	1	Skruv M 10x50. Screw.	
N	25	734 11 71-04	1	1	1	1	1	1	1	1	1	1	1	2	1	1	1	1	Bricka 10x18. Washer.	
N	26	15 16 926-01	1	1	1	1	1	1	1	1	1	1	1	2	1	1	1	1	Bromsskiva. Brake disc.	
N	27	15 16 369-01	6	6	6	6	6	6	6	6	6	6	6	6	6	6	6	6	Skruv M 6x20. Screw.	
	28	15 13 706-01	6	6	6	6	6	6	6	6	6	6	6	6	6	6	6	6	Mutter. Nut.	



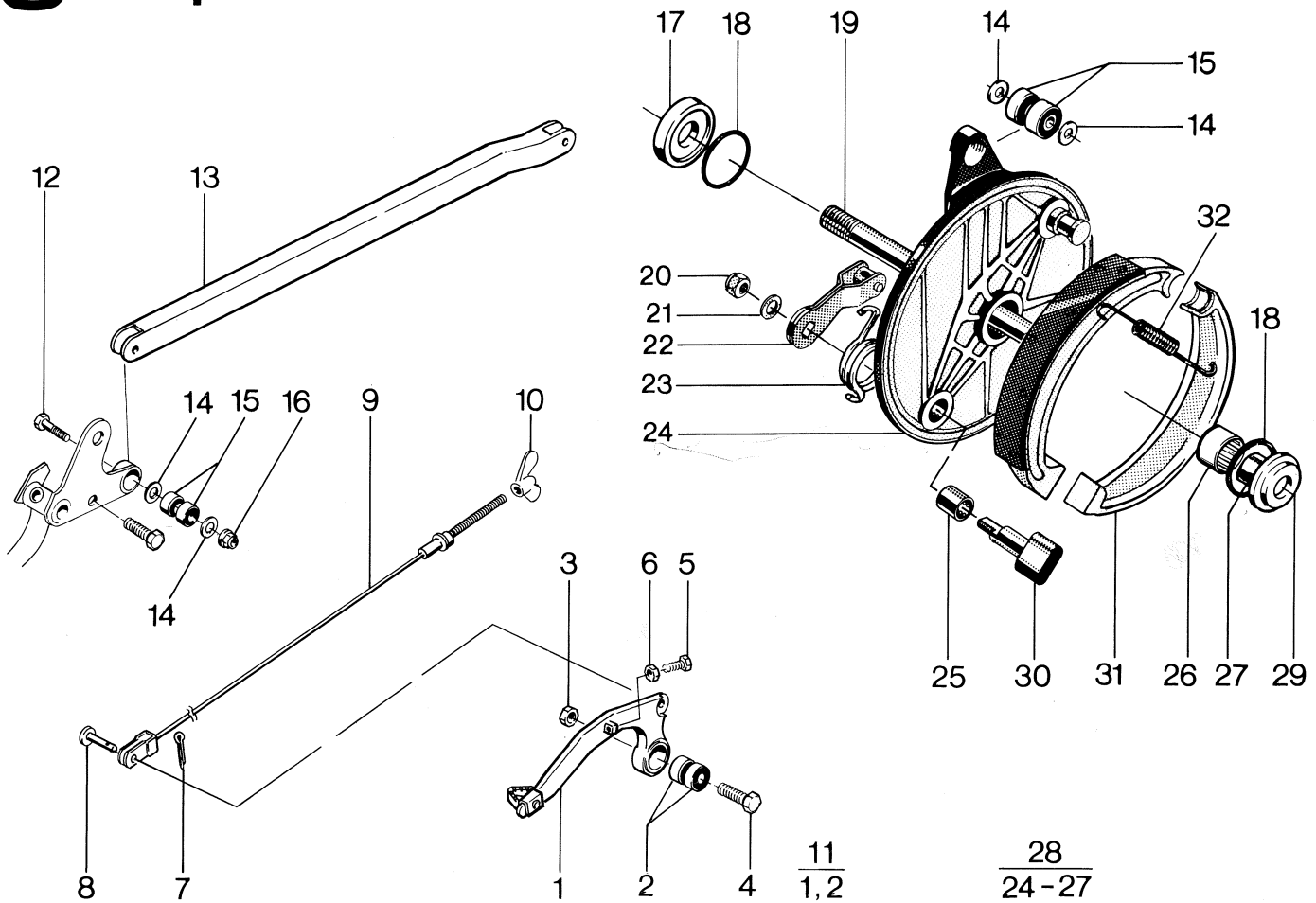
1
2-5

5
6-9

N	Fig.	Reservdel nr Spare part no.	ANTAL - QUANTITY														Benämning, Description	Not.	
			125		240		250			400		430		430 Aut.		500			
			WR	CR	WR	CR	EU WR	US WR	XC	WR	CR	WR	XC	EU	US	CR			XC
	1	15 17 812-01 15 17 813-01		1		1										1		Hjul, kpl. exkl. gummi. Wheel excl. rubber.	
	2	15 16 872-01 15 16 827-01		1		1										1		Hjul, kpl. exkl. gummi. Wheel excl. rubber.	
	3	15 16 828-02				36										36		Fälg. Rim.	
	4	15 16 829-01				36										36		Fälg. Rim.	
	5	15 17 809-01				1										1		Eker. Spoke.	
	6	15 16 817-01				1										1		Ekernippel. Spoke nipple.	
	7	15 16 752-01				1										1		Baknav kpl. utan kedjedrev. Rear hub cpl.	
	8	738 23 02-34				2										2		Navhylsa kpl. Hub sleeve.	
	9	15 13 718-01				1										1		Distanshylsa. Distance sleeve.	
	10	15 16 866-02				1										1		Kullager. Ball bearing.	
N	11	15 16 598-01				2										2		Tätning. Seal.	
	12	15 15 524-02				1										1		Distans, vänster. Distance.	
N	13	15 16 893-02				6										6		Mutter. Nut.	
	14	15 16 892-03				1										1		Bakaxel. Shaft	
	15	15 16 874-01 15 16 772-01				2										2		Skruv M 8. Screw.	
	16	732 21 18-01				7										7		Kedjekrans 52T. Sprocket.	
	17	15 16 508-01				1										1		Däcklås kpl. Tyre lock.	
	18	15 16 883-01 15 16 885-01				1										1		Däcklås kpl. Tyre lock.	
	19	15 16 029-01				1										1		Låsmutter M8. Nut.	
	14	15 16 892-01 15 16 892-02 15 16 892-04 15 16 892-05																Innerslang. Innertyre.	
N		15 19 952-01 15 19 938-01																Däck 4.50 x 18" Metzeler. Motocross. Tyre.	
																		Däck 4.50 x 18" Metzeler. Multicross. Tyre.	
																		Fälgband. Rimband.	
																		Kedjekrans 48 T. Sprocket.	
																		Kedjekrans 50 T. Sprocket.	
																		Kedjekrans 54 T. Sprocket.	
																		Kedjekrans 56 T. Sprocket.	
																		Ekersats. Spoke kit.	
																		Nippelsats. Nipple kit.	



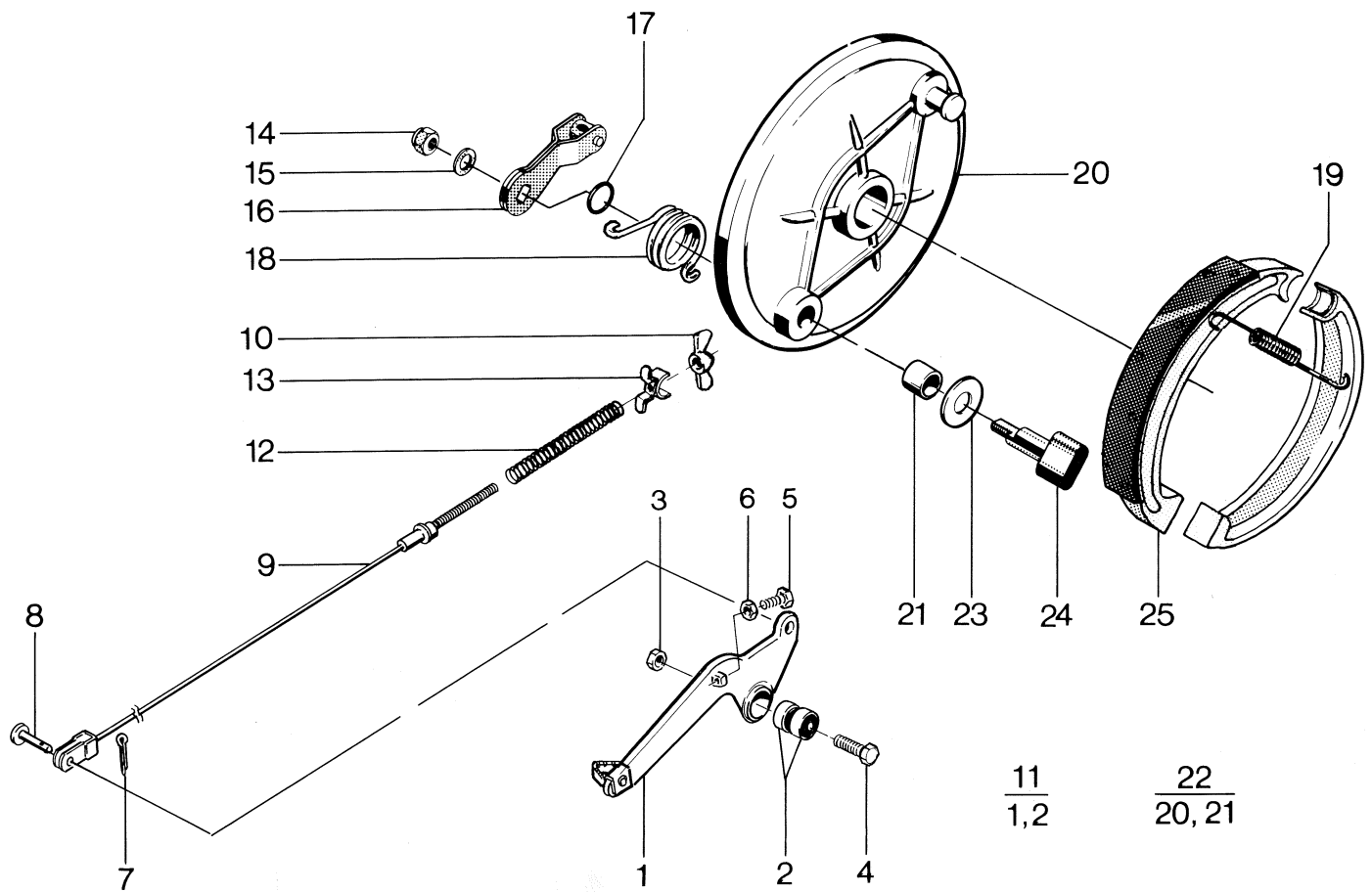
N	Fig.	Reservdel nr Spare part no.	ANTAL – QUANTITY														Benämning, Description	Not.	
			125		240		250			400		430		430 Aut.		500			
			WR	CR	WR	CR	EU WR	US WR	XC	WR	CR	WR	XC	EU	US	CR			XC
1	15 16 888-01																1	Hjul, kpl. exkl. gummi. Wheel excl. rubber	
	15 16 888-03	1		1														Hjul, kpl. exkl. gummi. Wheel excl. rubber.	
2	15 16 827-01	1																Fälg. Rim.	
3	15 16 828-02	36		36														Eker. Spoke.	
4	15 16 829-01	36		36														Ekernippel. Spoke nipple.	
5	15 16 889-01	1		1														Baknav kpl. utan kedjedrev. Rear hub cpl.	
6	15 16 854-01	1		1														Navhylsa. Hub sleeve.	
7	15 16 752-01	1		1														Distanshylsa. Distance sleeve.	
8	15 16 300-01	1		1														Distanshållare. Space holder.	
9	738 23 02-34	2		2														Kullager. Ball bearing.	
10	15 13 718-01	1		1														Tätning. Seal.	
11	15 16 866-01	1		1														Distans. Spacer.	
12	15 15 540-02	1		1														Bakaxel kpl. Shaft.	
13	15 16 772-01																	Däcklås. Tyre lock.	
14	720 12 32-00	18		18														Pinne. Pin.	
15	732 21 18-01	6		6														Låsmutter. Nut.	
16	15 16 893-02	6		6														Skruv. Screw.	
17	15 16 892-01	1		1														Kedjekrans z=48. Sprocket.	
	15 16 892-03																	Kedjekrans z=52. Sprocket.	
	15 16 892-04																	Kedjekrans z=54. Sprocket.	
	15 16 892-05																	Kedjekrans z=56. Sprocket.	
	15 16 892-02																	Kedjekrans z=50. Sprocket.	
18	15 16 598-01	1		1														Mutter. Nut.	
19	15 16 029-01	1		1														Fälgband. Rimband.	
20	15 16 508-01	1		1														Innerslang 18". Innertube.	
21	15 16 839-01	1		1														Däck 4,50x18. Trelleborg. Tyre.	
	15 16 883-01																	Däck 4,50x18. Metzeler motocross. Tyre.	
	15 16 848-01																	Däck 5,00x18. Trelleborg. Tyre.	
	15 16 885-01																	Däck 4,50x18. Metzeler Multi Cross. Tyre.	
	15 19 952-01																	Ekersats. Spoke unit.	
	15 19 938-01																	Nippelsats 36 st. Nipple kit.	



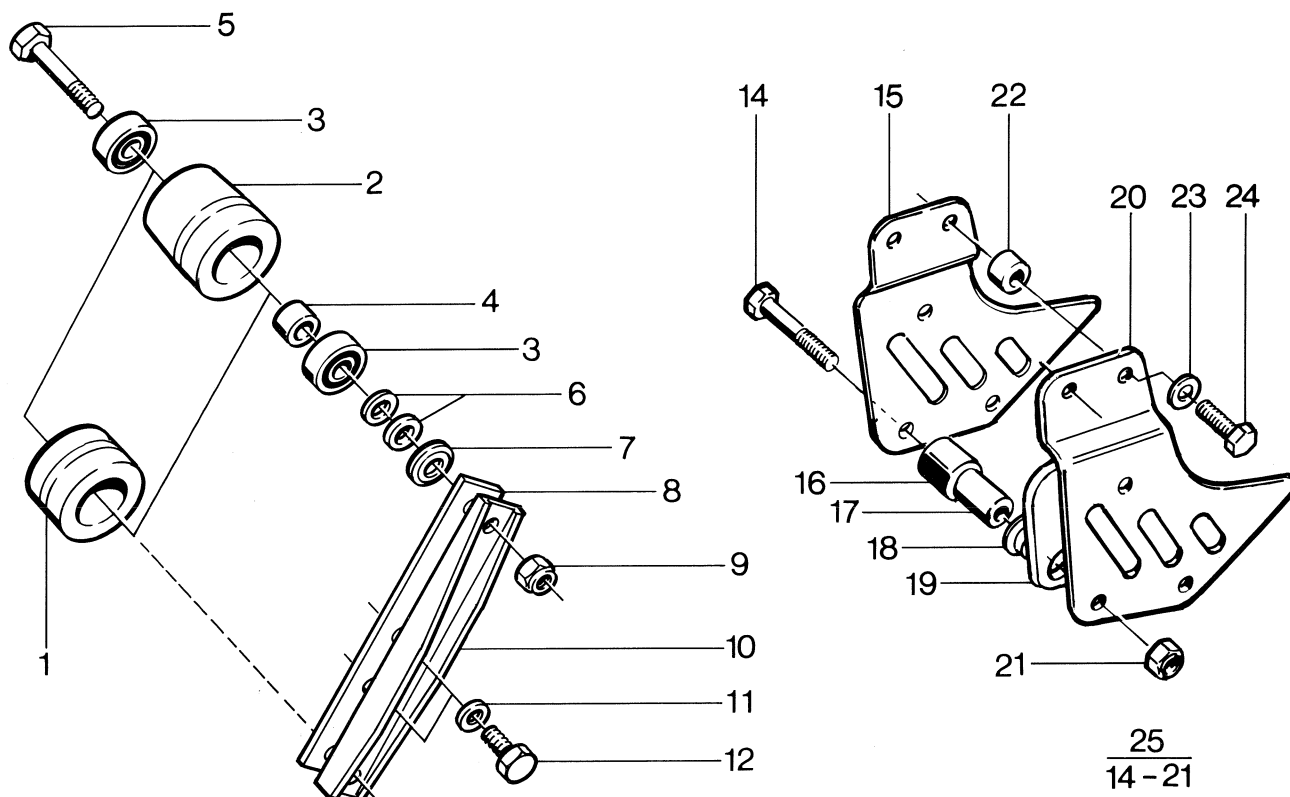
11
1,2

28
24-27

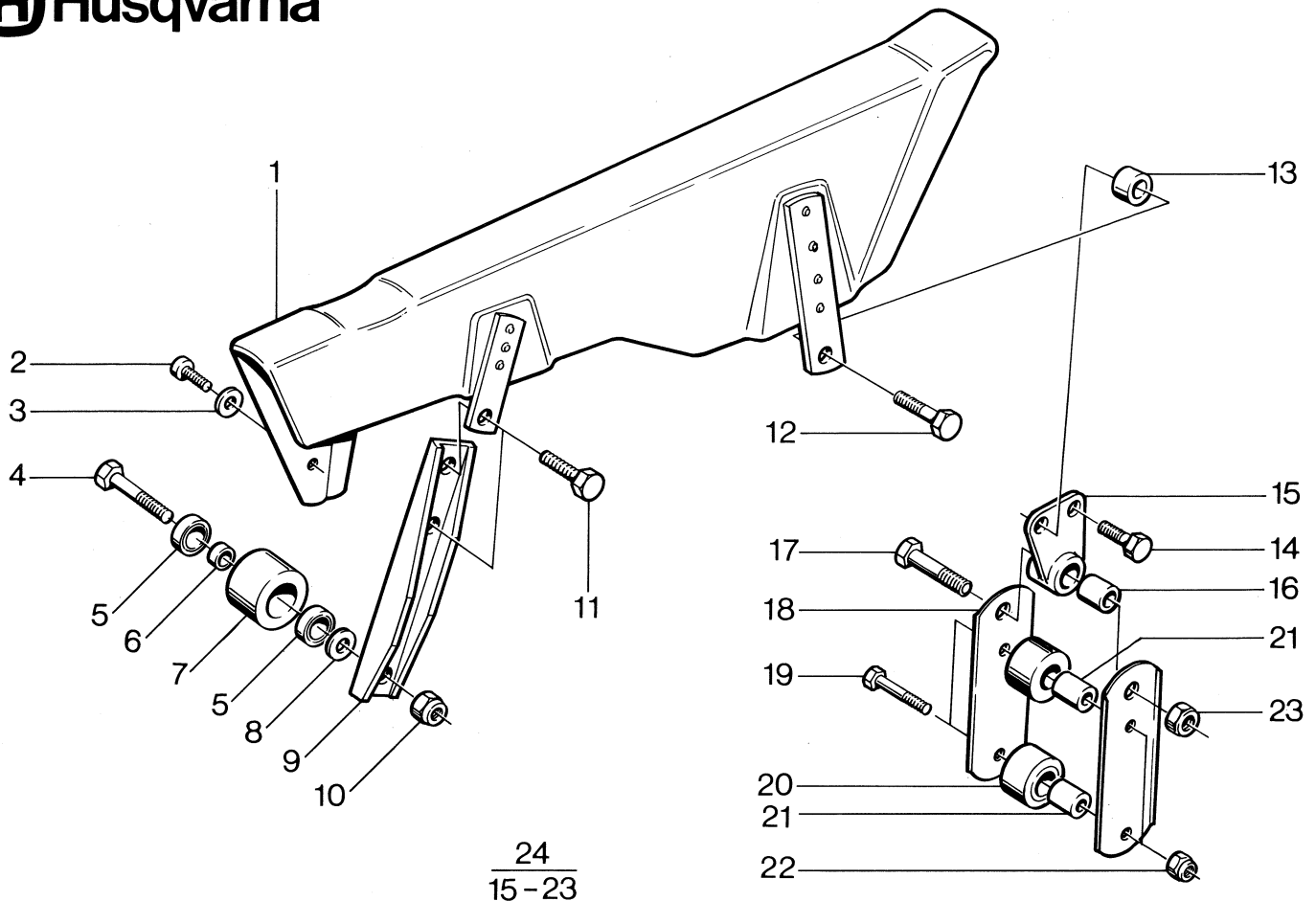
N	Fig.	Reservdel nr Spare part no.	ANTAL – QUANTITY														Benämning, Description	Not.		
			125		240		250			400		430		430 Aut.		500				
			WR	CR	WR	CR	EU WR	US WR	XC	WR	CR	WR	XC	EU	US	CR			XC	
2	738 21 98-04			2		2										2		Kullager. Bearing.		
3	732 21 18-01			1		1										1		Mutter M8. Nut.		
4	725 24 55-51			1		1										1		Skruv M8x30. Screw.		
5	725 23 71-51			1		1										1		Skruv M6x22. Screw.		
6	732 21 16-01			1		1										1		Mutter M6. Nut.		
7	721 61 50-01			1		1										1		Saxpinne. Slitpin. Splitpin.		
8	15 16 289-01			1		1										1		Bult. Bolt.		
9	15 11 303-01			1		1										1		Bromswire. Brake cable.		
10	15 15 554-01			1		1										1		Mutter. Nut.		
11	15 15 510-01			1		1										1		Bromspedal kpl. Brake pedal compl.		
12	725 23 74-51			1		1										1		Skruv M6x30. Screw.		
13	15 15 511-01			1		1										1		Bromslänk. Brake stay arm.		
14	734 11 53-41			2		2										2		Bricka. Washer.		
15	738 23 02-34			2		2										2		Kullager. Bearing.		
16	732 21 16-01			1		1										1		Mutter M6. Nut.		
17	15 15 519-01			1		1										1		Tätningshällare. Seal case.		
18	15 11 242-01			2		2										2		X-ring.		
19	15 15 524-01			1		1										1		Bakaxel. Shaft.		
20	732 21 18-01			1		1										1		Låsmutter M8. Nut.		
21	734 11 64-01			1		1										1		Bricka. Washer.		
22	15 16 723-01			1		1										1		Hävarm. Lever.		
23	15 15 515-01			1		1										1		Fjäder. Spring.		
24																				
25	15 16 859-01			1		1										1		Bussning. Bushing.		
26	15 11 428-01			1		1										1		Nållager. Needle bearing.		
27	15 15 518-01			1		1										1		Innerhylsa. Spacer.		
28	15 15 522-01			1		1										1		Bromssköld kpl. Brake plate compl.		
29	15 15 523-01			1		1										1		Distans. Spacer.		
30	15 15 514-01			1		1										1		Bromsexcenter. Brake cam.		
31	15 16 788-02			2		2										2		Bromsback. Brake shoe.		
32	15 16 547-01			2		2										2		Fjäder. bromsback. Spring.		



N	Fig.	Reservdel nr Spare part no.	ANTAL – QUANTITY														Benämning, Description	Not.	
			125		240		250			400	430			430 Aut.		500			
			WR	CR	WR	CR	EU WR	US WR	XC	WR	CR	WR	XC	EU	US	CR			XC
	2	738 21 98-04	2		2		2	2	2			2	2	2	2		2	Kullager. Bearing.	
	3	732 21 18-01	1		1		1	1	1	1		1	1	1	1		1	Skruv M8x30. Screw.	
	4	725 24 55-51	1		1		1	1	1	1		1	1	1	1		1	Mutter M8. Nut.	
	5	725 23 68-51	1		1		1	1	1	1		1	1	1	1		1	Skruv M6x16. Screw.	
	6	732 21 16-01	1		1		1	1	1	1		1	1	1	1		1	Mutter M6. Nut.	
	7	721 61 50-01	1		1		1	1	1	1		1	1	1	1		1	Saxpinne. Splitpin.	
	8	15 16 289-01	1		1		1	1	1	1		1	1	1	1		1	Bult. Bolt.	
	9	15 11 303-03	1		1		1	1	1	1		1	1	1	1		1	Bromswire. Brakecable.	
	10	15 15 554-01	1		1		1	1	1	1		1	1	1	1		1	Mutter. Nut.	
	11	15 15 550-01	1		1		1		1			1					1	Bromspedal kpl. Brake pedal compl.	
		15 15 528-01						1	1			1	1		1		1	Bromspedal kpl. Brake pedal compl.	
	12	15 16 898-01	1		1		1	1	1	1		1	1	1	1		1	Fjäder. Spring.	
	13	15 16 897-01	1		1		1	1	1	1		1	1	1	1		1	Låsning. Wirelock.	
	14	732 21 18-01	1		1		1	1	1	1		1	1	1	1		1	Mutter M8. Nut.	
	15	734 11 64-01	1		1		1	1	1	1		1	1	1	1		1	Bricka. Washer.	
	16	15 16 723-02	1		1		1	1	1	1		1	1	1	1		1	Hävarm. Brakelever.	
	17	15 16 299-01	1		1		1	1	1	1		1	1	1	1		1	Tätning. Seal.	
	18	15 15 535-01	1		1		1	1	1	1		1	1	1	1		1	Returfjäder. Spring.	
	19	15 16 547-01	2		2		2	2	2	2		2	2	2	2		2	Fjäder. Spring.	
	21	15 16 859-01	1		1		1	1	1	1		1	1	1	1		1	Bussning. Bushing.	
	22	15 16 891-01	1		1		1	1	1	1		1	1	1	1		1	Bromssköld kpl. Brake plate compl.	
	23	15 16 836-01	1		1		1	1	1	1		1	1	1	1		1	Bricka. Washer.	
	24	15 16 886-01	1		1		1	1	1	1		1	1	1	1		1	Excenter. Brake cam.	
	25	15 16 543-01	2		2		2	2	2	2		2	2	2	2		2	Bromsback. Brake shoe.	

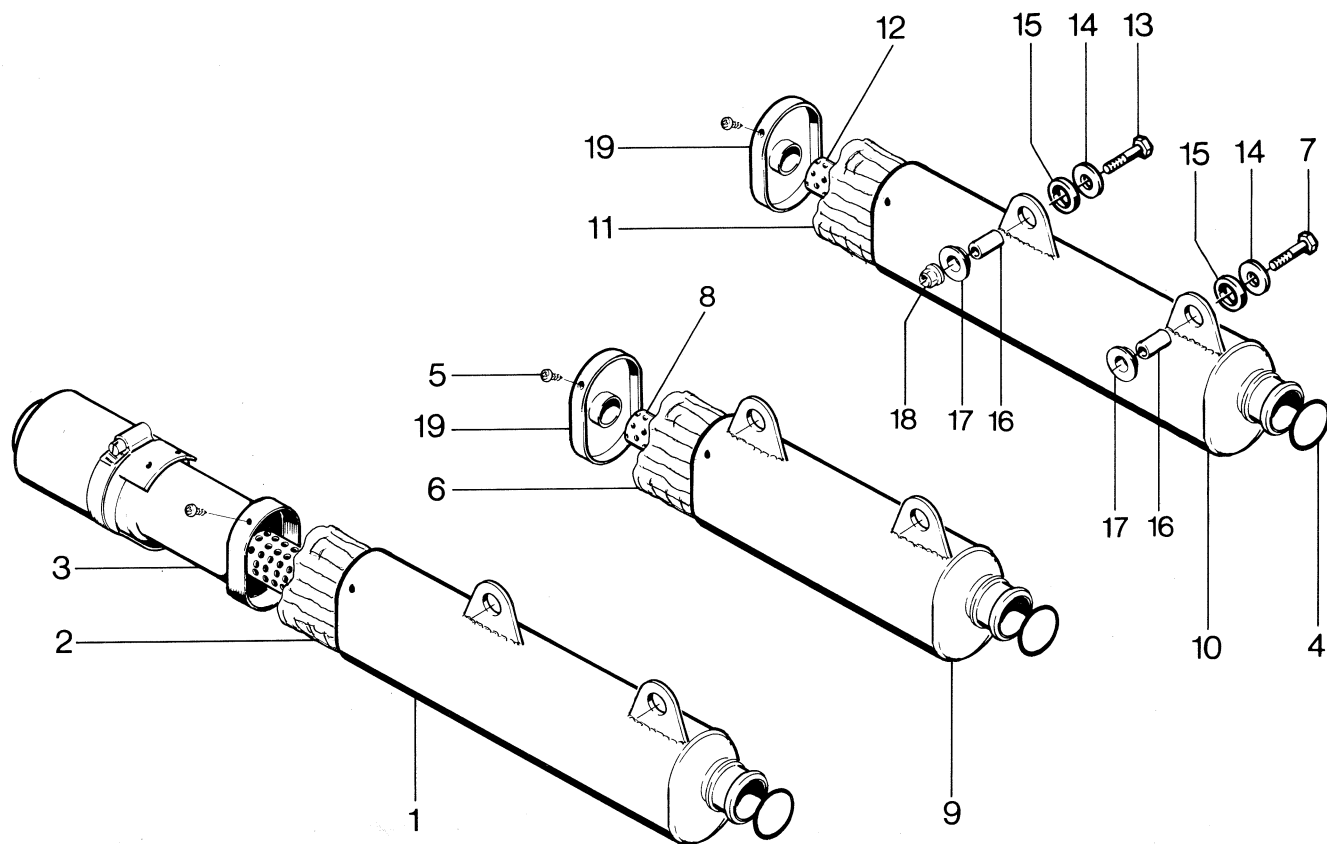


N	Fig.	Reservdel nr Spare part no.	ANTAL - QUANTITY												Benämning, Description	Not.					
			125			240			250			400		430			430 Aut.		500		
			WR	CR	WR	CR	EU WR	US WR	XC	WR	CR	WR	XC	EU			US	CR	XC		
1	15 11 310-01			1		1				1		1					1	1	Kedjerulle. Chain roller.		
2	15 11 310-02		1		1				1		1						1	1	Kedjerulle. Chain roller.		
3	738 21 98-04		4		4				4		4						4	4	Kullager. Ball bearing.		
4	15 11 311-01		2		2				2		2						2	2	Distans. Spacer.		
5	725 24 59-51		2		2				2		2						2	2	Skruv M 8x40. Screw.		
6	734 49 66-03		2		2				2		2						2	2	Bricka. Washer.		
7	15 11 313-02		2		2				2		2						2	2	Bricka, kedjestyrrare. Washer, chain guide.		
8	15 11 452-01		1		1				1		1						1	1	Slitskydd. Wear plate.		
9	732 21 18-01		2		2				2		2						2	2	Mutter M8. Nut.		
10	15 11 312-02		1		1				1		1						1	1	Fästplåt. Mounting plate.		
11	734 11 64-01		2		2				2		2						2	2	Bricka. Washer.		
12	725 24 51-51		2		2				2		2						2	2	Skruv M 8x20. Screw.		
14	725 23 79-51		3		3						3						3		Skruv M 6x45. Screw.		
16	15 11 317-01		3		3						3						3		Kedjestyrrulle. Chain guide roller.		
17	15 11 286-01		3		3						3						3		Distans. Spacer.		
18	15 11 313-01		6		6						6						6		Bricka, kedjestyrrare. Washer, chain guide.		
19	15 11 288-01		2		2						2						2		Slitskydd, kedjestyrrare. Wear plate.		
21	15 13 706-01		3		3						3						3		Mutter M6. Nut.		
22	15 15 424-01		2		2						2						2		Distans. Spacer.		
23	734 11 64-01		2		2						2						2		Bricka. Washer.		
24	725 24 59-01		2		2						2						2		Skruv M 8x30. Screw.		
25	15 11 447-01		1		1						1						1		Kedjestyrrare kpl. Chain guide compl.		

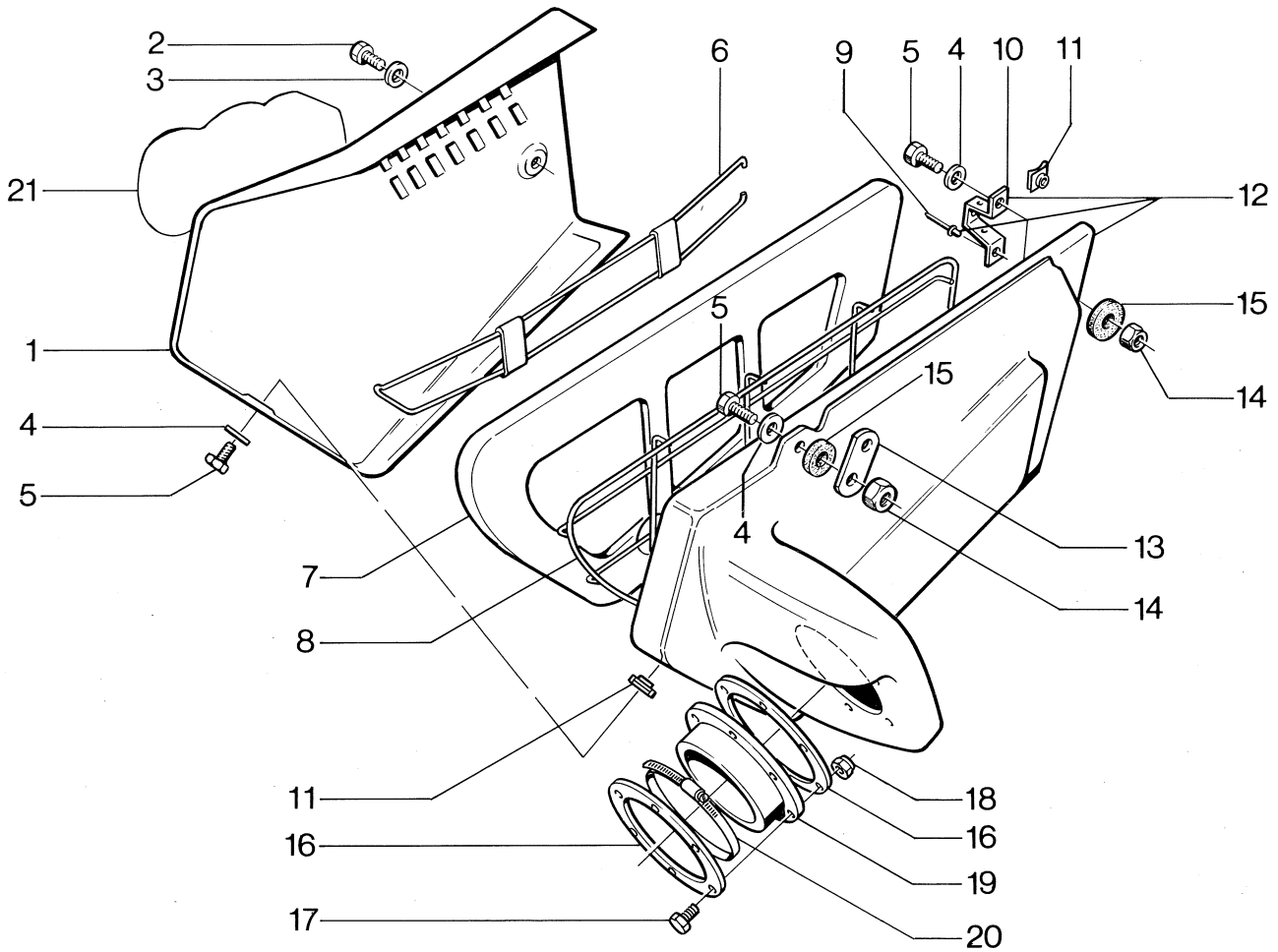


24
15-23

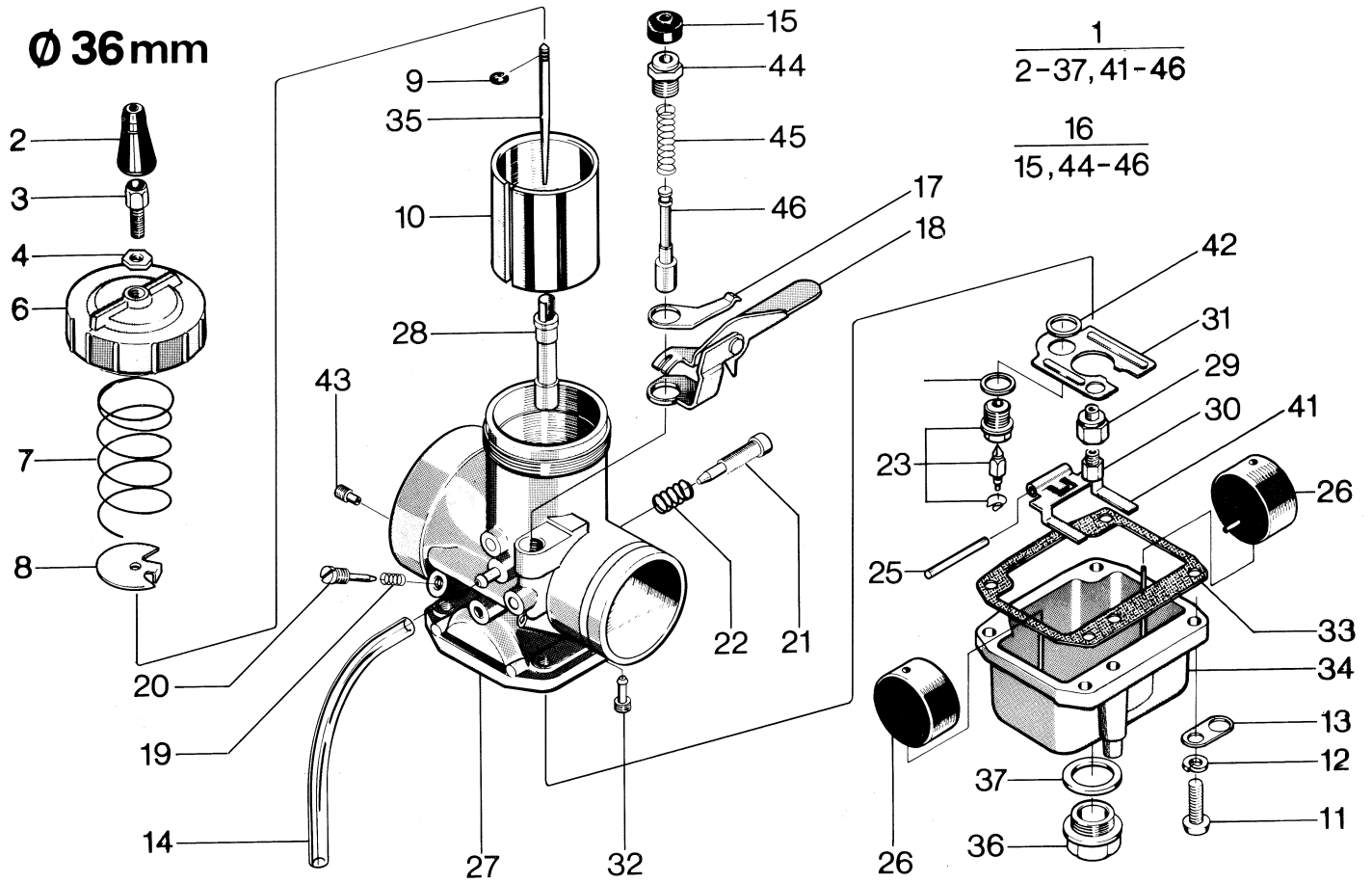
N	Fig.	Reservdel nr Spare part no.	ANTAL - QUANTITY														Benämning, Description	Not.	
			125		240		250			400		430		430 Aut.		500			
			WR	CR	WR	CR	EU WR	US WR	XC	WR	CR	WR	XC	EU	US	CR			XC
1	15 18 227-02	1		1		1	1		1		1		1	1				Kedjeskydd kpl. Chain guide.	
2	725 23 64-53	1		1		1	1		1		1		1	1				Skruv M 6x10. Screw.	
3	15 13 734-01	1		1		1	1		1		1		1	1				Bricka. Washer.	
4	725 24 59-51	1		1		1	1	2	1		1	2	1	1		2		Skruv M 8x40. Screw.	
5	738 21 98-04	2		2		2	2	4	2		2	4	2	2		4		Kullager 608-2RS. Ball bearing.	
6	15 11 311-01	1		1		1	1	2	1		1	2	1	1		2		Distans. Spacer.	
7	15 11 310-01	1		1		1	1	1	1		1	1	1	1		1		Kedjerulle. Chain roller.	
8	734 49 66-03	1		1		1	1	2	1		1	2	1	1		2		Bricka. Washer.	
9	15 11 395-02	1		1		1	1		1		1		1	1				Fästplåt. Mounting plate.	
10	732 21 18-01	1		1		1	1	2	1		1	2	1	1		2		Mutter M8. Nut.	
11	725 24 51-51	2		2		2	2	2	2		2	2	2	2		2		Skruv M 8x20. Screw.	
12	725 24 57-51	1		1		1	1	1	1		1	1	1	1		1		Skruv M 8x35. Screw.	
13	15 15 457-01	1		1		1	1		1		1		1	1				Distans. Spacer.	
14	725 24 51-51	1		1		1	1	1	1		1	1	1	1		1		Skruv M 8x20. Screw.	
15	15 15 500-01	1		1		1	1	1	1		1	1	1	1		1		Fästplåt kedjestyrrare. Mounting plate.	
16	15 15 506-01	1		1		1	1	1	1		1	1	1	1		1		Elastisk bussning. Elastic bushing.	
17	725 24 57-51	1		1		1	1	1	1		1	1	1	1		1		Skruv M 8x35. Screw.	
19	725 23 76-51	2		2		2	2	2	2		2	2	2	2		2		Skruv M 6x35. Screw.	
20	15 11 317-01	1		1		1	1	1	1		1	1	1	1		1		Kedjestyrrulle. Chain guide roller.	
21	15 15 413-01	2		2		2	2	2	2		2	2	2	2		2		Distanshylsa. Distance sleeve.	
22	732 21 16-01	2		2		2	2	2	2		2	2	2	2		2		Mutter M6. Nut.	
23	732 21 18-01	1		1		1	1	1	1		1	1	1	1		1		Mutter M8. Nut.	
23	15 15 505-01	1		1		1	1	1	1		1	1	1	1		1		Kedjestyrrare. Chain guide cpl.	



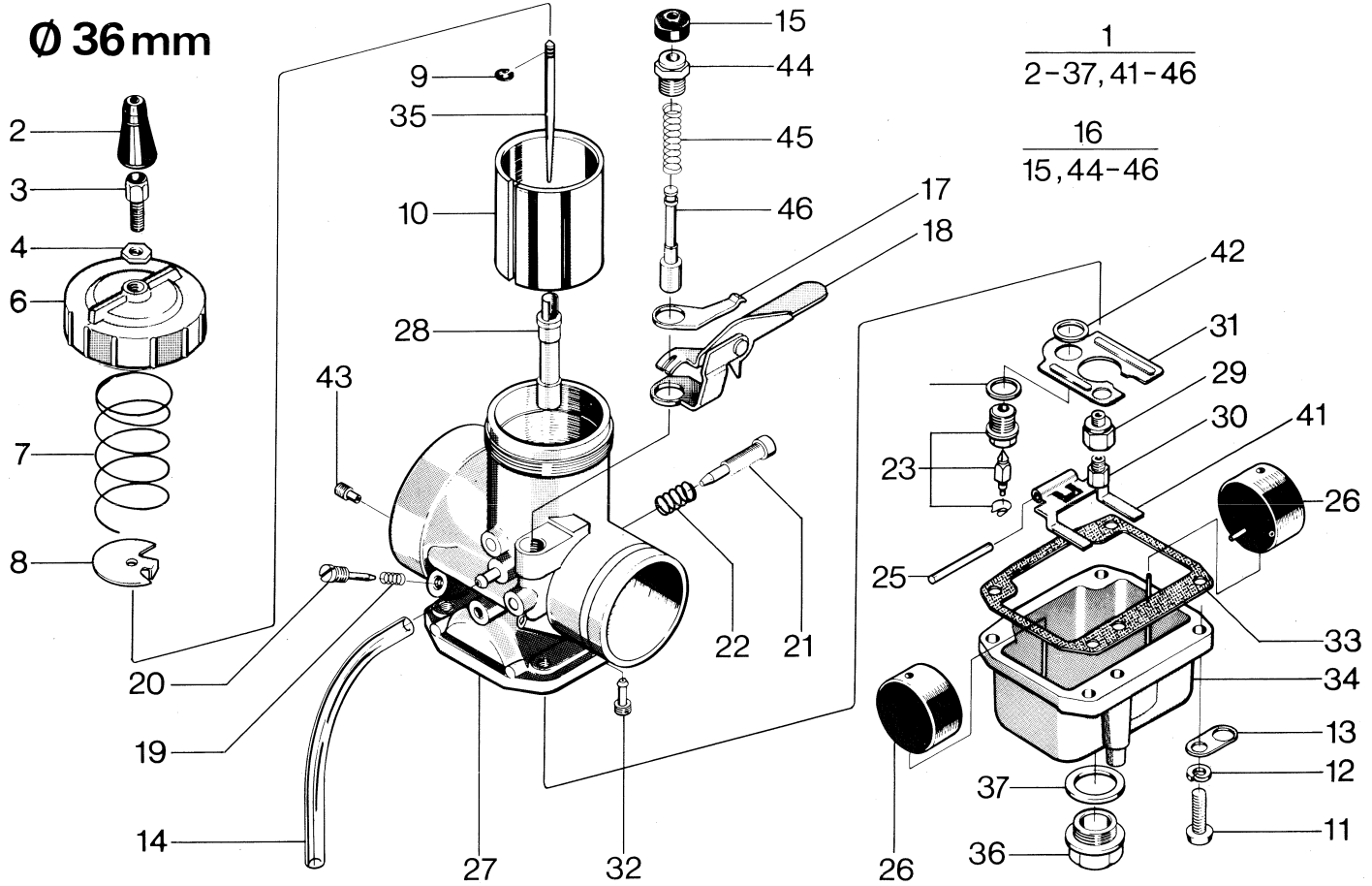
N	Fig.	Reservdel nr Spare part no.	ANTAL – QUANTITY														Benämning, Description	Not.		
			125		240		250			400		430		430 Aut.		500				
			WR	CR	WR	CR	EU	US	XC	WR	CR	WR	XC	EU	US	CR			XC	
N	1	15 15 963-01																	Ljuddämpare kpl. m. gnistsläckare. Silencer compl. with spark arrestor.	
		15 15 963-02															1	1	Ljuddämpare m. gnistsläckare. Silencer compl. with spark arrestor.	
	2	15 13 336-05																1	Absorbent. Packing.	
N	3	15 15 928-01																1	Gnistsläckare kpl. Sparkarrestor compl.	
	4	15 14 559-01	1	1	1	1	1	1	1	1	1	1	1	1	1	1	1	1	O-ring.	
	5	729 58 42-01	4	4	4	4	4	4	4	4	4	4	4	4	4	4	4	4	Skruv. Screw.	
	6	15 13 336-09		1	1	1	1	1	1	1	1	1	1	1	1	1	1	1	Absorbent. Packing.	
	7	725 53 72-01	1	1	1	1	1	1	1	1	1	1	1	1	1	1	1	1	Skruv M6x25. Screw.	
	8	15 15 951-01	1																Innerrör. Innertube.	
		15 15 952-01															1	1	Innerrör. Innertube.	
N	9	15 15 956-01	1																Ljuddämpare kpl. Silencer compl.	
N		15 15 961-01																1	Ljuddämpare kpl. Silencer compl.	
N		15 15 962-01		1		1													Ljuddämpare kpl. Silencer compl.	
N	10	15 15 960-01			1		1			1									Ljuddämpare kpl. Silencer compl.	
N		15 15 960-02													1				Ljuddämpare kpl. Silencer compl.	
	11	15 13 336-04			1		1			1					1				Absorbent. Packing.	
	12	15 13 995-01			1		1			1					1				Innerrör. Innertube.	
	13	725 53 79-01	1	1	1	1	1	1	1	1	1	1	1	1	1	1	1	1	Skruv M6x45. Screw.	
	14	15 13 743-01	2	2	2	2	2	2	2	2	2	2	2	2	2	2	2	2	Bricka. Washer.	
	15	15 13 414-01	2	2	2	2	2	2	2	2	2	2	2	2	2	2	2	2	Gummibricka. Rubber washer.	
	16	15 15 108-01	2	2	2	2	2	2	2	2	2	2	2	2	2	2	2	2	Hylsa. Sleeve.	
	17	15 14 032-02	2	2	2	2	2	2	2	2	2	2	2	2	2	2	2	2	Gummibussning. Rubber bushing.	
	18	15 13 706-01	1	1	1	1	1	1	1	1	1	1	1	1	1	1	1	1	Mutter. M6. Nut.	
	19	15 15 958-02			1		1			1					1				Gavel. Back gable.	



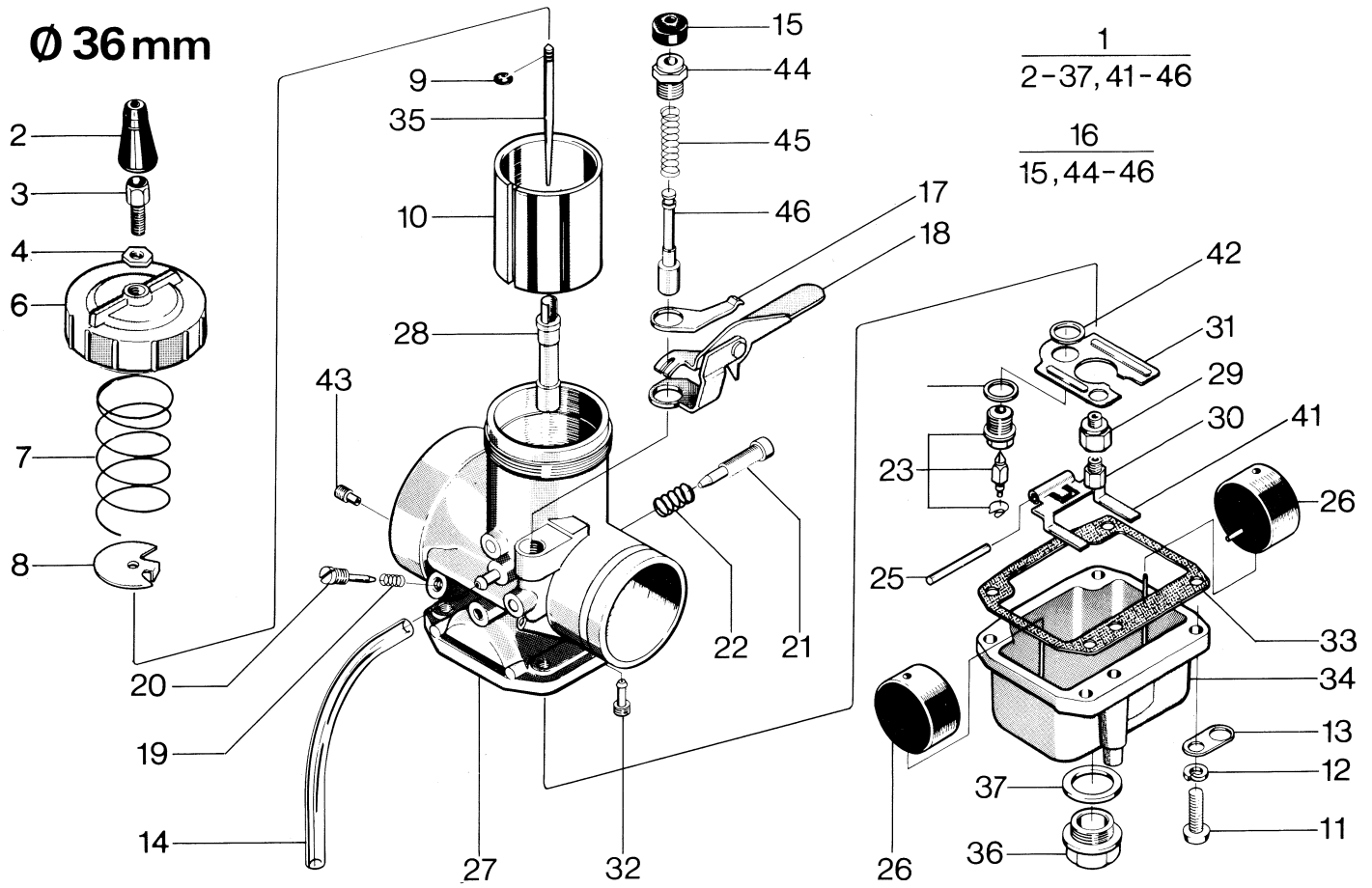
N	Fig.	Reservdel nr Spare part no.	ANTAL – QUANTITY																Benämning, Description	Not.
			125		240		250			400		430		430 Aut.		500				
			WR	CR	WR	CR	EU WR	US WR	XC	WR	CR	WR	XC	EU	US	CR	XC			
N	1	15 15 044-01	1	1	1	1	1	1	1	1	1	1	1	1	1	1	1	1	Lock. Cover.	
	2	725 23 68-51	1	1	1	1	1	1	1	1	1	1	1	1	1	1	1	1	Skruv 6x16. Screw.	
	3	15 13 709-01	1	1	1	1	1	1	1	1	1	1	1	1	1	1	1	1	Bricka 6.5x22x1.5. Washer.	
	4	15 13 734-01	2	2	2	2	2	2	2	2	2	2	2	2	2	2	2	2	Bricka 6.4x14. Washer.	
	5	725 23 71-51	1	1	1	1	1	1	1	1	1	1	1	1	1	1	1	1	Skruv M6x22. Screw.	
	6	15 15 038-01	1	1	1	1	1	1	1	1	1	1	1	1	1	1	1	1	Bygel kpl. Clamp	
	7	15 14 171-01	1	1	1	1	1	1	1	1	1	1	1	1	1	1	1	1	Luftfilter. Air filter.	
	8	15 14 172-01	1	1	1	1	1	1	1	1	1	1	1	1	1	1	1	1	Filterkorg. Air filter basket.	
	9	722 78 49-02	1	1	1	1	1	1	1	1	1	1	1	1	1	1	1	1	Popnit. Poprivet.	
	10	15 15 037-01	1	1	1	1	1	1	1	1	1	1	1	1	1	1	1	1	Bygelhållare. Clamp holder.	
	11	15 14 129-01	1	1	1	1	1	1	1	1	1	1	1	1	1	1	1	1	Snabbmutter. Nut.	
N	12	15 15 036-02	1	1	1	1	1	1	1	1	1	1	1	1	1	1	1	1	Filterhus kpl. Filter housing.	
	13	15 15 803-01	1	1	1	1	1	1	1	1	1	1	1	1	1	1	1	1	Fäste. Support.	
	14	732 21 16-01	2	2	2	2	2	2	2	2	2	2	2	2	2	2	2	2	Mutter M6. Nut.	
	15	15 18 121-01	2	2	2	2	2	2	2	2	2	2	2	2	2	2	2	2	Gummibricka. Rubber washer.	
	16	15 15 039-01	2	2	2	2	2	2	2	2	2	2	2	2	2	2	2	2	Stödring. Spacer.	
	17	724 12 95-01	6	6	6	6	6	6	6	6	6	6	6	6	6	6	6	6	Skruv 4x20. Screw.	
	18	732 21 12-01	6	6	6	6	6	6	6	6	6	6	6	6	6	6	6	6	Mutter. Nut.	
	19	15 14 984-02		1	1	1	1	1	1	1	1	1	1	1	1			1	Anslutning. Connection	
		15 15 034-01	1																Anslutning. Connection	
		15 14 462-02															1		Anslutning. Connection.	
	20	16 13 539-01	1	1	1	1	1	1	1	1	1	1	1	1	1			1	Klamma 50-70. Clamp.	
		15 14 476-01																1	Klamma. Clamp. 60-80.	
N	21	15 17 953-01	1																Dekal. Decal.	
		15 17 953-02		1	1														Dekal. Decal.	
		15 17 953-03				1	1	1											Dekal. Decal.	
		15 17 953-04							1										Dekal. Decal.	
		15 17 953-05								1	1	1	1	1	1				Dekal. Decal.	
		15 17 953-06															1	1	Dekal. Decal.	



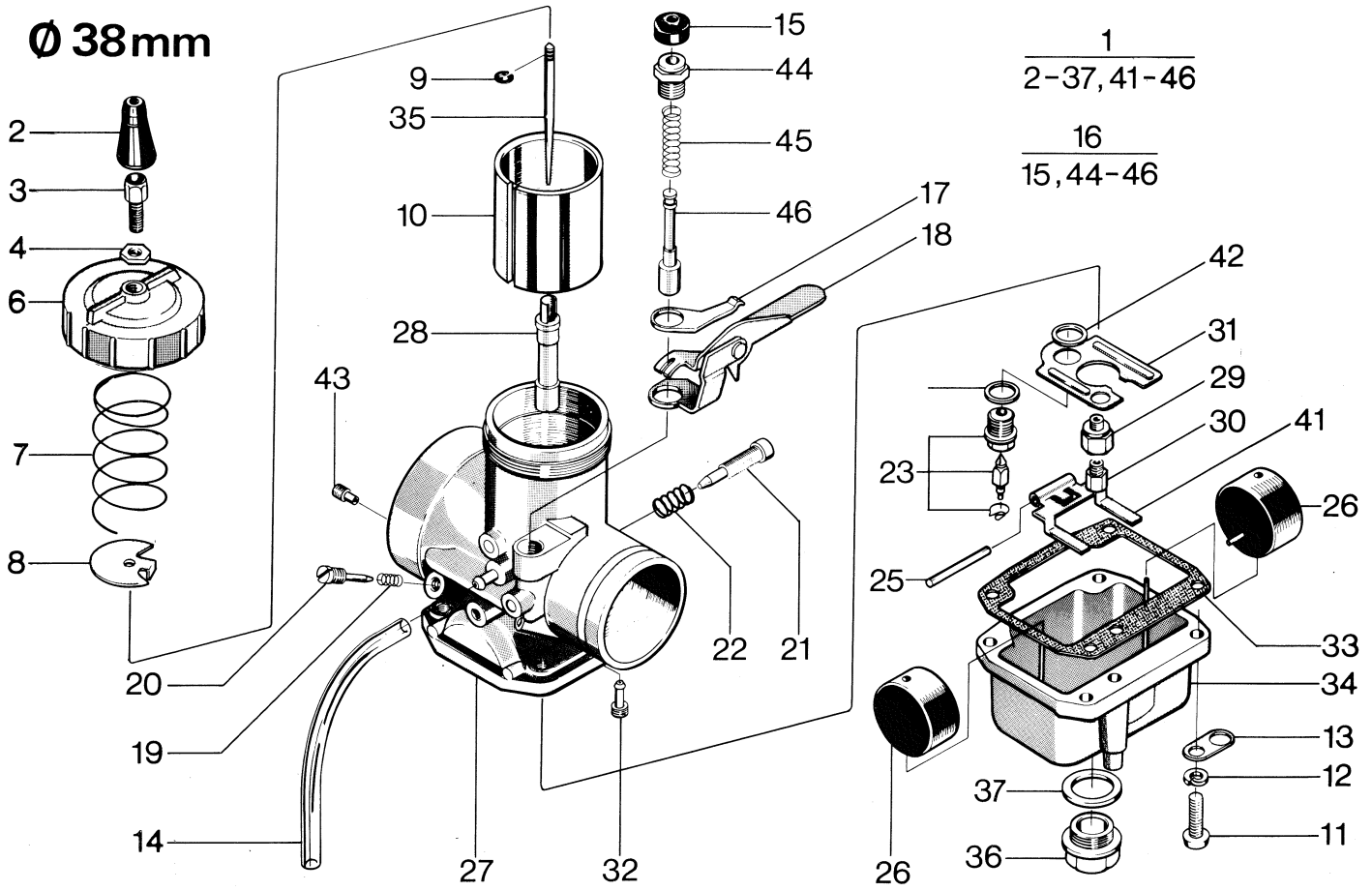
N	Fig.	Reservdel nr Spare part no.	ANTAL - QUANTITY																Benämning, Description	Not.	
			125			240			250			400		430		430 Aut.		500			
			WR	CR	WR	CR	EU WR	US WR	XC	WR	CR	WR	XC	EU	US	CR	XC				
1	16 13 834-01	1																	Förgasare Mikuni Ø 36 mm strypt. Carburettor.		
2	16 13 777-01	1																	Skyddshylsa. Protection sleeve.		
3	16 13 757-01	1																	Ställskruv. Adjuster.		
4	16 13 758-01	1																	Mutter. Nut.		
6	16 13 570-01	1																	Förgasarlock. Cover.		
7	16 13 571-01	1																	Fjäder. Spring.		
8	16 13 584-01	1																	Wire lås. Wire lock.		
9	16 13 583-01	1																	Nålclips. Needle clip.		
10	16 13 785-01	1																	Trottel ca 2.0 (Ø 36 mm). Throttle.		
11	724 13 29-01	4																	Skruv M5 x 16. Screw.		
12	735 11 46-01	4																	Bricka. Washer.		
13	16 13 569-01	2																	Hållare. Holder.		
14	16 13 448-01	2																	Slang. Hose.		
15	16 13 590-01	1																	Gummiskydd. Rubber cap.		
16	16 13 589-01	1																	Startventil kpl. Start valve compl.		
17	16 13 594-01	1																	Fjäder. Spring.		
18	16 13 595-01	1																	Chokereglage. Choke lever.		
19	16 13 572-01	1																	Fjäder. Spring.		
20	16 13 573-01	1																	Luftskruv. Airscrew.		
21	16 13 782-01	1																	Ställskruv. Adjusting screw.		
22	16 13 587-01	1																	Fjäder. Spring.		
23	16 13 565-01	1																	Nålventil kpl. Needle valve compl.		
24	16 13 585-01	2																	Flottörstopp. Cap.		
25	16 13 566-01	1																	Stift. Peg.		
26	16 13 578-01	2																	Flottör. Float.		
28	16 13 790-01	1																	Nålmunstycke R 0. Needle jet.		
29	16 13 580-01	1																	Mellanskruv. Distance screw.		
30	16 13 682-01	1																	Huvudmunstycke 340. Main jet.		
31	16 13 586-01	1																	Svalplåt. Baffle plate.		
32	16 13 546-01	1																	Tomgångmunstycke P.J 45. Pilot jet.		
33	16 13 543-01	1																	Packning. Gasket.		
34	16 13 778-01	1																	Flottörhus. Float chamber.		
35	16 13 804-01	1																	Nål 6L1. Needle.		
36	16 13 780-01	1																	Bottenskruv. Drain screw.		



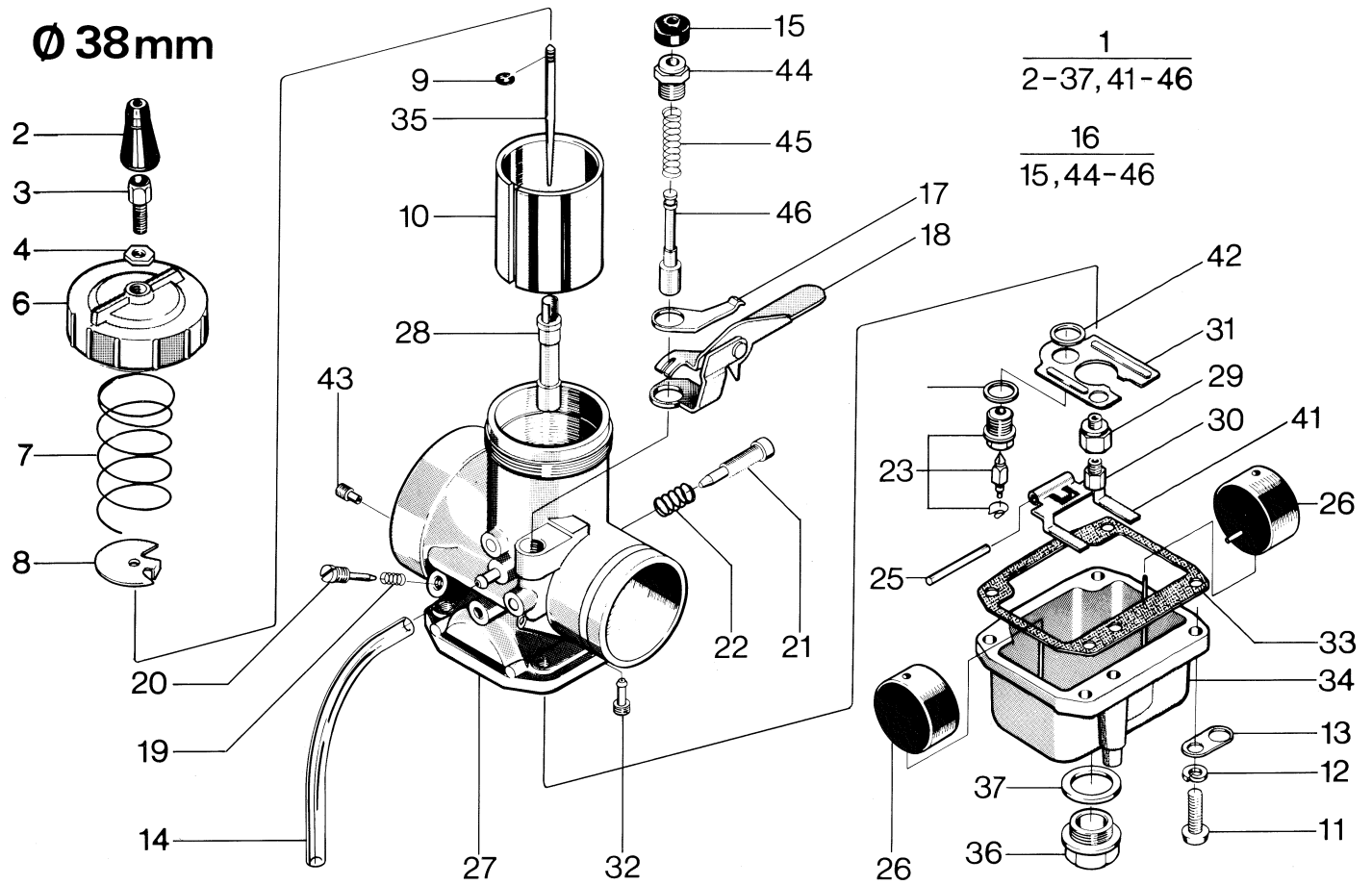
N	Fig.	Reservdel nr Spare part no.	ANTAL - QUANTITY																Benämning, Description	Not.	
			125			240			250			400		430		430 Aut.		500			
			WR	CR	WR	CR	EU WR	US WR	XC	WR	CR	WR	XC	EU	US	CR	XC				
		37	16 13 781-01	1															Packning. Gasket.		
		41	16 13 564-01	1															Flottörm. Float lever.		
		42	16 13 565-01	2															Bricka. Washer.		
		43	16 13 568-01	1															Luftmunstycke 2.0. Air jet.		
	10																		Trottlar. Throttles.		
			16 13 784-01																C.A. 1.5 (Ø 36 mm).		
			16 13 785-01																C.A. 2.0 (Ø 36 mm).		
			16 13 786-01																C.A. 2.5 (Ø 36 mm).		
	28																		Nålmunstycke. Needle jets.		
			16 13 788-01																N.J.Q-6 (Ø 36 mm).		
			16 13 789-01																N.J.Q-8 (Ø 36 mm).		
			16 13 790-01																N.J.R-0 (Ø 36 mm).		
			16 13 791-01																N.J.R-2 (Ø 36 mm).		
			16 13 792-01																N.J.R-4 (Ø 36 mm).		
	30																		Huvudmunstycke. Main jets.		
			16 13 556-01																M.J. 390		
			16 13 557-01																M.J. 400		
			16 13 558-01																M.J. 410		
			16 13 559-01																M.J. 420		
			16 13 561-01																M.J. 440		
			16 13 562-01																M.J. 450		
			16 13 563-01																M.J. 460		
			16 13 641-01																M.J. 470		
			16 13 694-01																M.J. 480		
			16 13 695-01																M.J. 490		
			16 13 696-01																M.J. 500		
			16 13 697-01																M.J. 530		
			16 13 698-01																M.J. 560		
			16 13 683-01																M.J. 350		
			16 13 684-01																M.J. 360		
			16 13 685-01																M.J. 370		
			16 13 686-01																M.J. 380		



N	Fig.	Reservdel nr Spare part no.	ANTAL - QUANTITY														Benämning, Description	Not.	
			125		240		250			400		430		430 Aut.		500			
			WR	CR	WR	CR	EU	US	XC	WR	CR	WR	XC	EU	US	CR			XC
32		16 13 544-01 16 13 545-01 16 13 546-01 16 13 547-01 16 13 548-01																Tomgångsmunstycke. Idling jets. P.J 35 P.J 40 P.J 45 P.J 50 P.J 55	

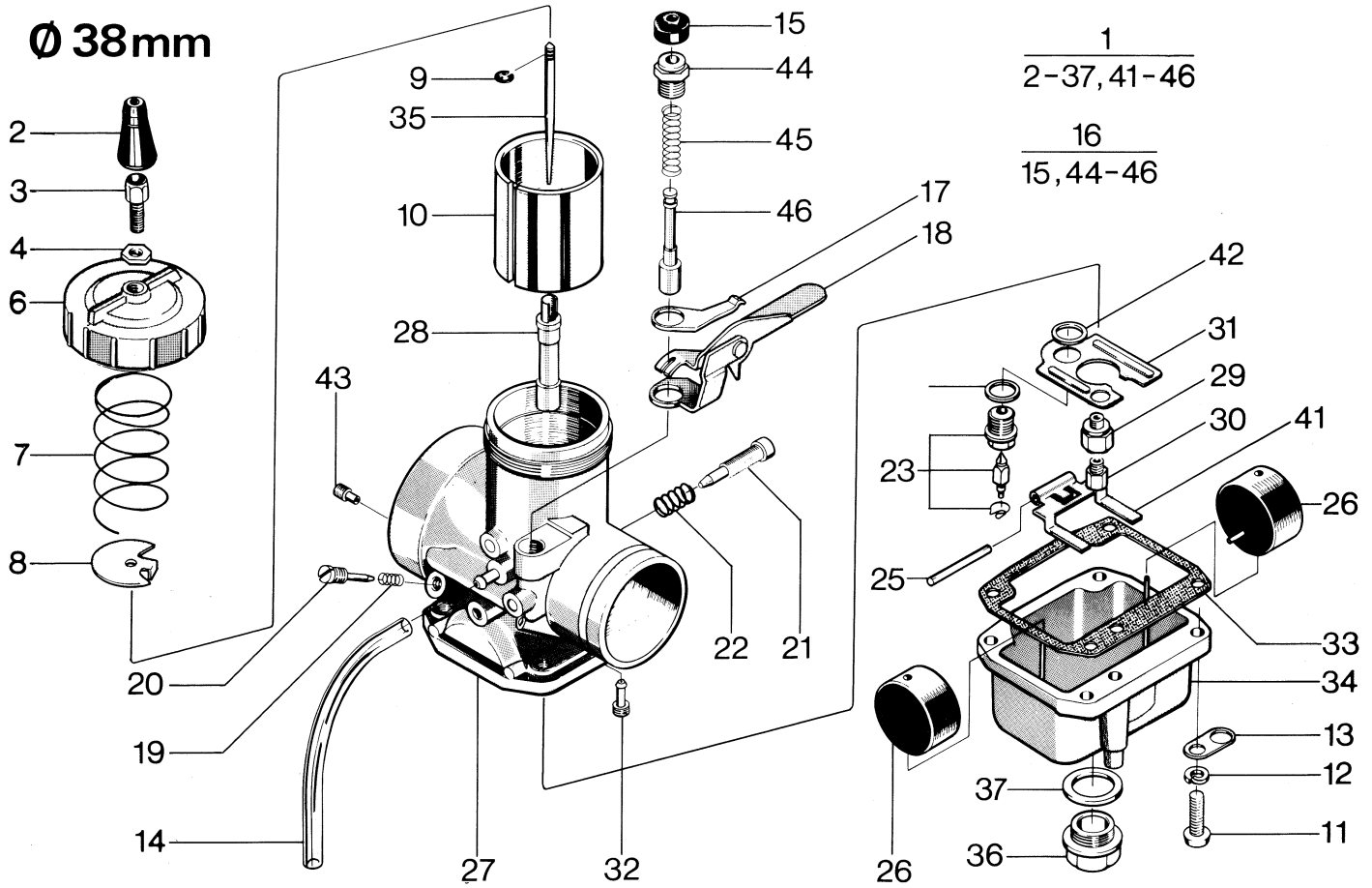


N	Fig.	Reservdel nr Spare part no.	ANTAL - QUANTITY																Benämning, Description	Not.
			125		240		250			400		430		430 Aut.		500				
			WR	CR	WR	CR	EU WR	US WR	XC	WR	CR	WR	XC	EU	US	CR	XC			
N	1	16 13 859-01															1	Förgasare Mikuni Ø38. Carburettor.		
N		16 13 854-01			1		1											Förgasare, strypt. Carburettor, restricted.		
N		16 13 853-01						1	1									Förgasare. Carburettor.		
N		16 13 849-01								1								Förgasare, strypt. Carburettor, restricted.		
N		16 13 848-01										1	1					Förgasare. Carburettor.		
N		16 13 823-01										1				1	1	Förgasare. Carburettor.		
	2	16 13 128-01			1		1	1	1	1	1		1	1			1	Skyddshylsa. Protection sleeve.		
	3	16 13 916-01			1		1	1	1	1	1	1	1	1	1	1	1	Ställskruv. Adjuster.		
	4	16 13 908-01			1		1	1	1	1	1	1	1	1	1	1	1	Mutter. Nut.		
	6	16 13 570-01			1		1	1	1	1	1	1	1	1	1	1	1	Förgasarlok. Cover.		
	7	16 13 571-01			1		1	1	1	1	1	1	1	1	1	1	1	Fjäder. Spring.		
	8	16 13 584-01			1		1	1	1	1	1	1	1	1	1	1	1	Wire läs. Wire lock.		
	9	16 13 583-01			1		1	1	1	1	1	1	1	1	1	1	1	Nålclips. Needle clip.		
	10	16 13 576-01			1		1	1	1	1	1	1	1	1	1	1	1	Trottel ca 2.5. Throttle.		
		16 13 577-01																Trottel ca 3.0. Throttle.		
	11	724 13 29-01			4		4	4	4	4	4	4	4	4	4	4	4	Skruv M5x16. Screw.		
	12	735 11 46-01			4		4	4	4	4	4	4	4	4	4	4	4	Bricka. Washer.		
	13	16 13 569-01			2		2	2	2	2	2	2	2	2	2	2	2	Hållare. Holder.		
	14	16 13 448-01			2		2	2	2	2	2	2	2	2	2	2	2	Slang. Hose.		
	15	16 13 590-01			1		1	1	1	1	1	1	1	1	1	1	1	Gummiskydd. Rubber cap.		
	16	16 13 589-01			1		1	1	1	1	1	1	1	1	1	1	1	Startventil kpl. Start valve compl.		
	17	16 13 594-01			1		1	1	1	1	1	1	1	1	1	1	1	Fjäder. Spring.		
	18	16 13 595-01			1		1	1	1	1	1	1	1	1	1	1	1	Chokereglage. Choke lever.		
	19	16 13 572-01			1		1	1	1	1	1	1	1	1	1	1	1	Fjäder. Spring.		
	20	16 13 573-01			1		1	1	1	1	1	1	1	1	1	1	1	Luftskruv. Aircscrew.		
	21	16 13 588-01			1		1	1	1	1	1	1	1	1	1	1	1	Ställskruv. Adjusting screw.		
	22	16 13 587-01			1		1	1	1	1	1	1	1	1	1	1	1	Fjäder. Spring.		
	23	16 13 565-01			1		1	1	1	1	1	1	1	1	1	1	1	Nålventil kpl. Needle valve compl.		
	24	16 13 585-01			2		2	2	2	2	2	2	2	2	2	2	2	Flottörstopp. Cap.		
	25	16 13 566-01			1		1	1	1	1	1	1	1	1	1	1	1	Stift. Peg.		
	26	16 13 578-01			2		2	2	2	2	2	2	2	2	2	2	2	Flottör. Float.		
	28	16 13 642-01			1		1	1	1									Nålmunstycke R6. Needle jet.		
		16 13 554-01								1							1	Nålmunstycke R2. Needle jet.		

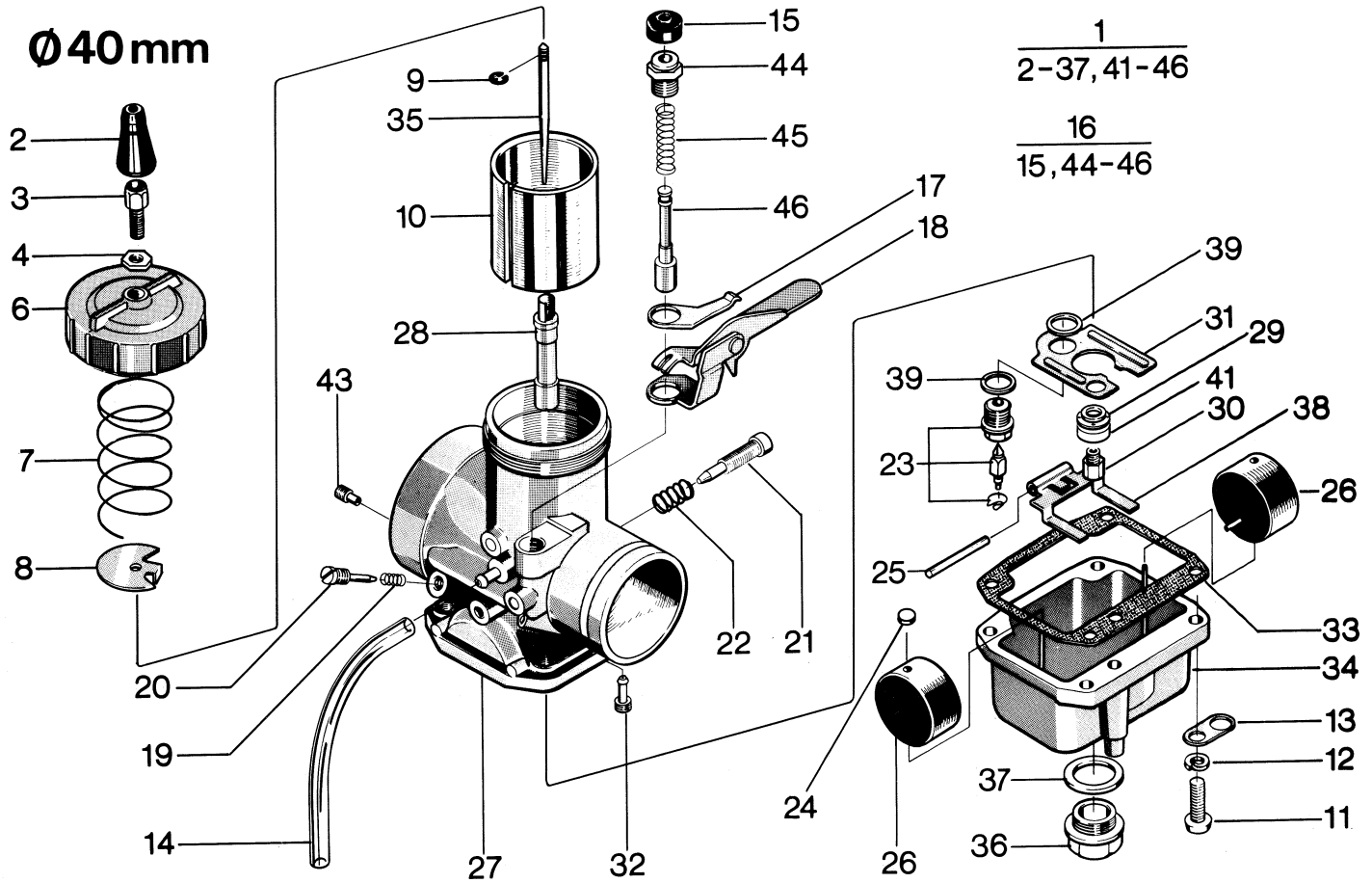


N	Fig.	Reservdel nr Spare part no.	ANTAL – QUANTITY														Benämning, Description	Not.		
			125		240		250			400		430		430 Aut.		500				
			WR	CR	WR	CR	EU WR	US WR	XC	WR	CR	WR	XC	EU	US	CR			XC	
		16 13 551-01								1									Nålmunstycke Q6. Needle jet.	
		16 13 553-01																	Nålmunstycke R0. Needle jet.	
	29	16 13 580-01			1		1	1	1	1	1	1	1	1	1				Mellanskruv. Distance screw.	
	30	16 13 844-01			1														Huvudmunstycke 70. Main jet.	
		16 13 563-01					1	1	1										Huvudmunstycke 460. Main jet.	
		16 13 704-01								1									Huvudmunstycke 100. Main jet.	
		16 13 557-01																	Huvudmunstycke 400. Main jet.	
		16 13 560-01												1	1				Huvudmunstycke 430. Main jet.	
	31	16 13 586-01			1		1	1	1	1	1	1	1	1	1				Skvalplåt. Baffle plate.	
	32	16 13 546-01												1	1				Tomgångsmunstycke P.J45. Pilot jet.	
		16 13 545-01												1	1				Tomgångsmunstycke P.J40. Pilot jet.	
		16 13 544-01			1		1	1	1	1	1	1	1	1	1				Tomgångsmunstycke P.J35. Pilot jet.	
	33	16 13 543-01			1		1	1	1	1	1	1	1	1	1				Packning. Gasket.	
	34	16 13 574-01			1		1	1	1	1	1	1	1	1	1				Flottörhus. Float chamber.	
	N 35	16 13 647-01			1		1	1	1	1	1	1	1	1	1				Nål 6DH20. Needle.	
		16 13 860-01																	Nål 6F8. Needle.	
	36	16 13 581-01			1		1	1	1	1	1	1	1	1	1				Bottenskruv. Drain screw.	
	37	16 13 582-01			1		1	1	1	1	1	1	1	1	1				Packning. Gasket.	
	41	16 13 564-01			1		1	1	1	1	1	1	1	1	1				Flottörmunstycke P.J40. Float lever.	
	42	16 13 565-01			2		2	2	2	2	2	2	2	2	2				Bricka. Washer.	
	43	16 13 568-01			1		1	1	1	1	1	1	1	1	1				Luftmunstycke 2.0. Air jet.	
	10																		Trottlar. Throttles.	
		16 13 575-01																	C.A. 2.0.	
		16 13 576-01																	C.A. 2.5.	
		16 13 577-01																	C.A. 3.0.	
	28																		Nålmunstycke. Needle jets.	
		16 13 549-01																	N.J O-4.	
		16 13 550-01																	N.J O-5.	
		16 13 551-01																	N.J O-6.	
		16 13 552-01																	N.J O-8.	
		16 13 553-01																	N.J R-0.	
		16 13 554-01																	N.J R-2.	
		16 13 555-01																	N.J R-4.	

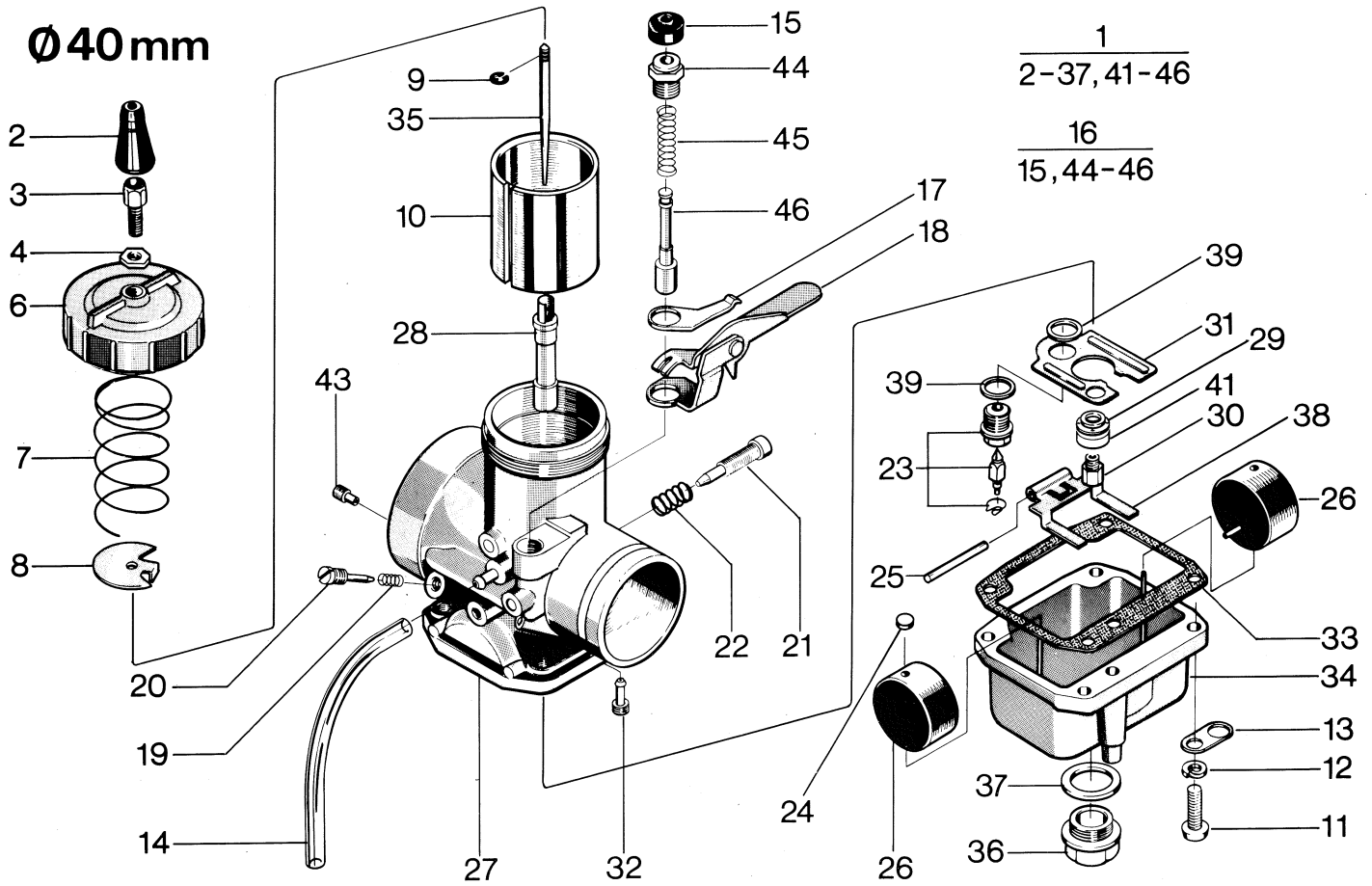
Ø 38mm



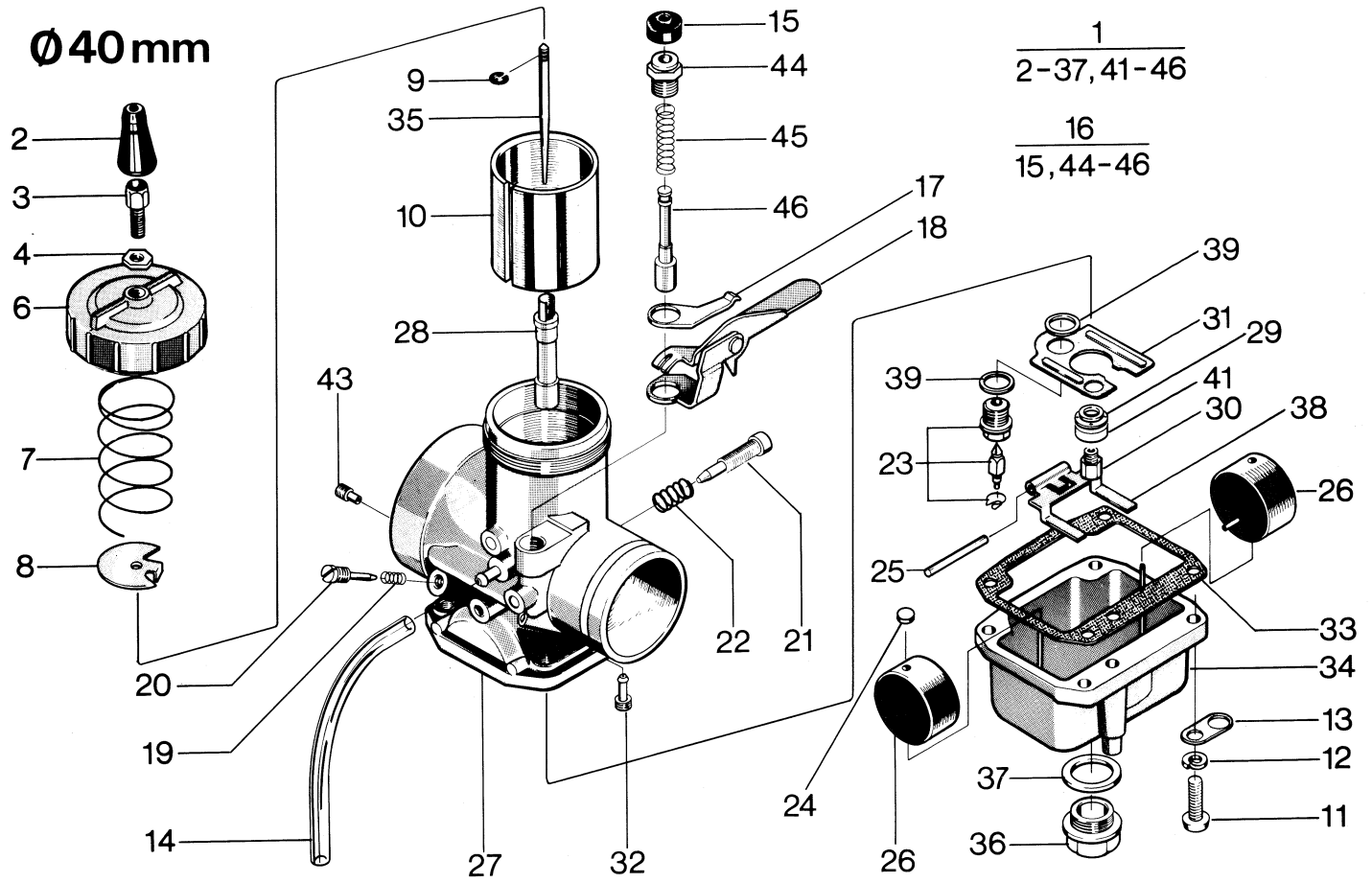
N	Fig.	Reservdel nr Spare part no.	ANTAL - QUANTITY																Benämning, Description	Not.	
			125			240			250			400		430		430 Aut.		500			
			WR	CR	WR	WR	CR	EU WR	US WR	XC	WR	CR	WR	XC	EU	US	CR	XC			
	30	16 13 642-01 16 13 699-01																	N.J R-6 N.J R-8 Huvudmunstycke. Main jets.		
		16 13 556-01 16 13 557-01 16 13 558-01 16 13 559-01 16 13 561-01 16 13 562-01 16 13 563-01 16 13 641-01 16 13 694-01 16 13 695-01 16 13 696-01 16 13 697-01 16 13 698-01 16 13 683-01 16 13 684-01 16 13 685-01 16 13 686-01																	M.J 390. M.J 400. M.J 410. M.J 420. M.J 440. M.J 450. M.J 460. M.J 470. M.J 480. M.J 490. M.J 500. M.J 530. M.J 560. M.J 350. M.J 360. M.J 370. M.J 380.		
	32	16 13 544-01 16 13 545-01 16 13 546-01 16 13 547-01 16 13 548-01																	P.J 35. P.J 40. P.J 45. P.J 50. P.J 55.		



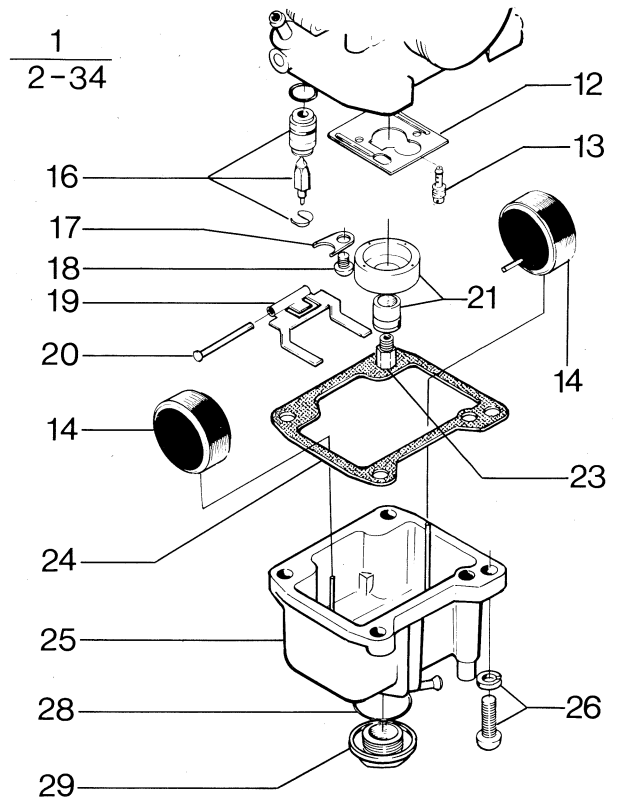
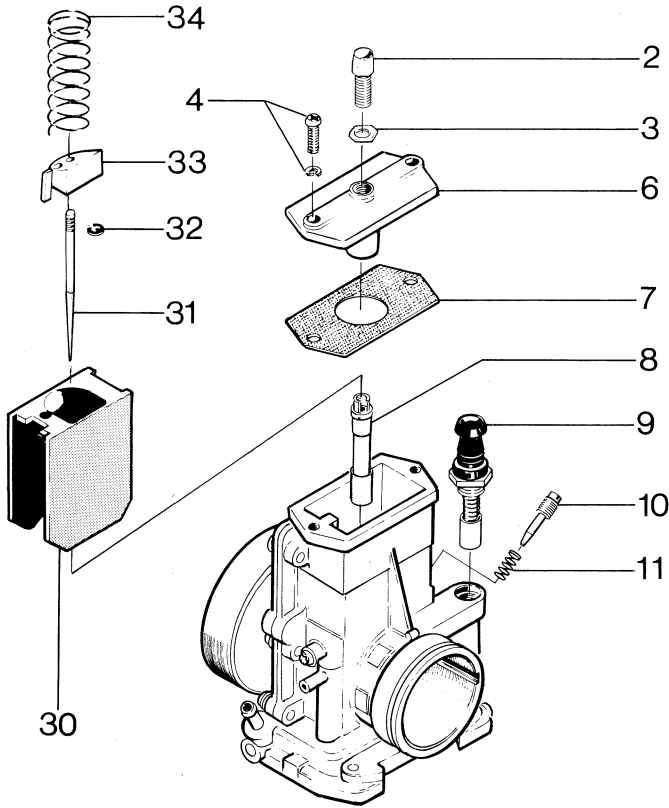
N	Fig.	Reservdel nr Spare part no.	ANTAL - QUANTITY																Benämning, Description	Not.	
			125		240		250			400		430		430 Aut.		500					
			WR	CR	WR	CR	EU	US	XC	WR	CR	WR	XC	EU	US	CR	XC				
N	1	16 13 846-01																1	Förgasare Mikuni Ø40. Carburettor.		
	2	16 13 128-01																	1	Skyddshylsa. Protection sleeve.	
	3	16 13 916-01																	1	Ställskruv. Adjuster.	
	4	16 13 908-01																	1	Mutter. Nut.	
	6	16 13 908-01																	1	Mutter. Nut.	
	6	16 13 653-01																	1	Lock. Cover.	
	7	16 13 654-01																	1	Fjäder. Spring.	
	8	16 13 662-01																	1	Wire lås. Wire lock.	
	9	16 13 661-01																	1	Nålclip. Needle clip.	
	10	16 13 679-01																	1	Trottel 2.5. Throttle.	
	11	724 13 29-01																	4	Skruv. Screw.	
	12	735 11 46-01																	4	Bricka. Washer.	
	13	16 13 569-01																	2	Hållare. Holder.	
	14	16 13 448-01																	2	Slang. Hose.	
	15	16 13 665-01																	1	Gummiskydd. Rubber cap.	
	16	16 13 664-01																	1	Startventil. Start valve compl.	
	17	16 13 594-01																	1	Fjäder. Spring.	
	18	16 13 595-01																	1	Chokereglage. Choke lever.	
	19	16 13 655-01																	1	Fjäder. Spring.	
	20	16 13 573-01																	1	Luftskruv. Air screw.	
	21	16 13 588-01																	1	Ställskruv. Idle adjuster.	
	22	16 13 587-01																	1	Fjäder. Spring.	
	23	16 13 565-01																	1	Nålventil, kpl. Needle valve, compl.	
	24	16 13 585-01																	2	Flottörstopp. Cap.	
	25	16 13 566-01																	1	Stift. Peg.	
	26	15 13 578-01																	2	Flottör. Float.	
	28	16 13 672-01																	1	Nålmunstycke, BB-0. Needle jet.	
	29	16 13 658-01																	1	Bricka. Washer.	
	30	16 13 682-01																	1	Huvudmunstycke 340. Main jet.	
	31	16 13 663-01																	1	Svalplåt. Baffle plate.	
	32	15 13 548-01																	1	Tomgångsmunstycke 55. Pilot jet.	
	33	16 13 543-01																	1	Packning. Gasket.	
N	34	16 13 855-01																	1	Flottörhus. Float chamber.	
	35	16 13 681-01																	1	Nål 7DH3. Needle.	
N	36	16 13 857-01																	1	Bottenplugg. Drain plug.	



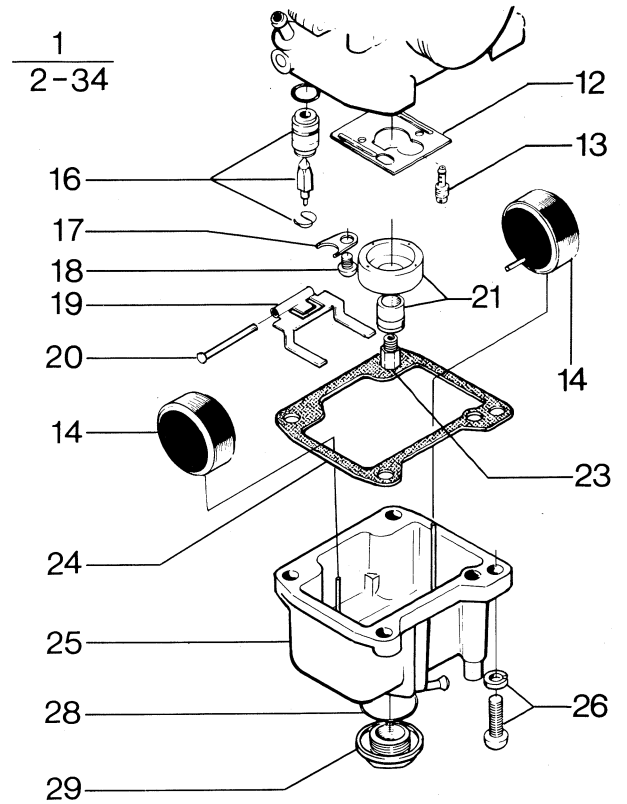
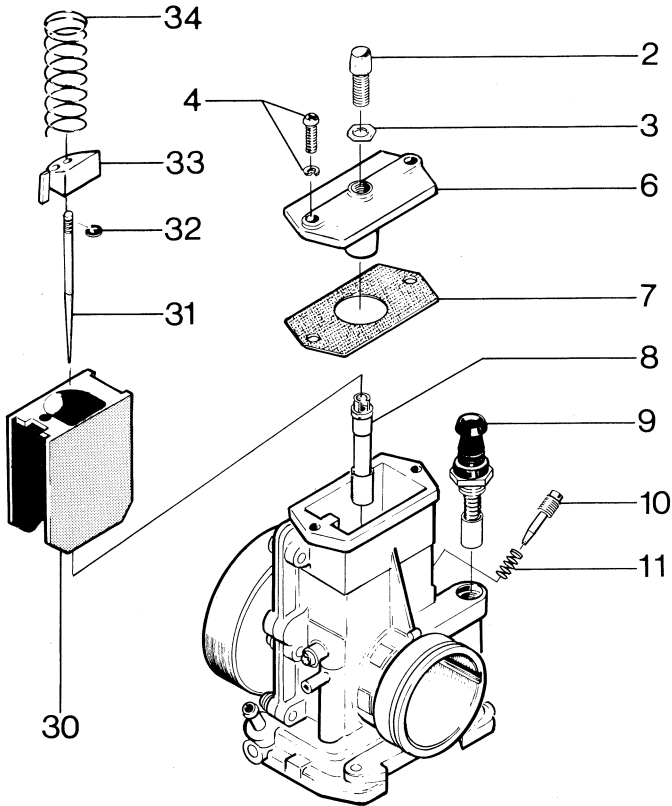
N	Fig.	Reservdel nr Spare part no.	ANTAL – QUANTITY																Benämning, Description	Not.	
			125			240			250			400		430		430 Aut.		500			
			WR	CR	WR	CR	EU WR	US WR	XC	WR	CR	WR	XC	EU	US	CR	XC				
	37	16 13 660-01																1	Packning. Gasket.		
	38	16 13 564-01																1	Flottörm. Float lever.		
	39	16 13 567-01																2	Bricka. Washer.		
	40	16 13 676-01																1	Luftmunstycke, AJ 0.7. Air jet.		
N	41	16 13 856-01																1	Bricka. Washer.		
	10																		Trottel. Throttle.		
		16 13 677-01																	C.A. 1.5.		
		16 13 678-01																	C.A. 2.0.		
		16 13 679-01																	C.A. 2.5.		
		16 13 680-01																	C.A. 3.0.		
	28																		Nålmunstycke. Needle jet.		
		16 13 668-01																	NJ Z-0.		
		16 13 669-01																	Z-5.		
		16 13 670-01																	AA-0.		
		16 13 671-01																	AA-5.		
		16 13 672-01																	BB-0.		
		16 13 673-01																	BB-5.		
		16 13 674-01																	CC-0.		
		16 13 675-01																	CC-5.		
	30																		Huvudmunstycke. Main jet.		
		16 13 682-01																	MJ 340.		
		16 13 683-01																	MJ 350.		
		16 13 684-01																	MJ 360.		
		16 13 685-01																	MJ 370.		
		16 13 686-01																	MJ 380.		
		16 13 556-01																	MJ 390.		
		16 13 557-01																	MJ 400.		
		16 13 558-01																	MJ 410.		
		16 13 559-01																	MJ 420.		
		16 13 560-01																	MJ 430.		
		16 13 561-01																	MJ 440.		
		16 13 562-01																	MJ 450.		
		16 13 563-01																	MJ 460.		



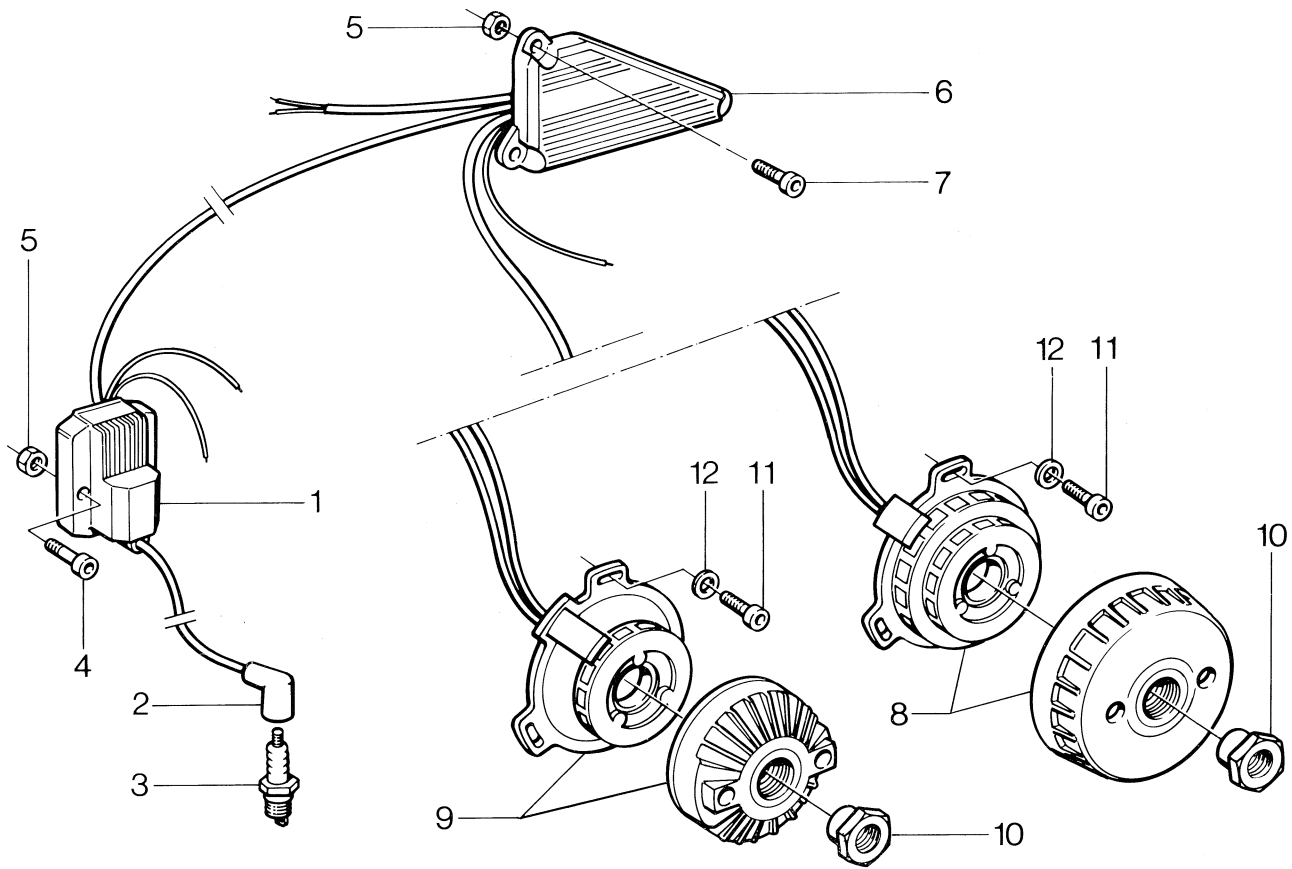
N	Fig.	Reservdel nr Spare part no.	ANTAL – QUANTITY																Benämning, Description	Not.		
			125			240			250			400		430		430 Aut.		500				
			WR	CR	WR	CR	EU	US	XC	WR	CR	WR	XC	EU	US	CR	XC					
	32	16 13 641-01 16 13 544-01 16 13 545-01 16 13 546-01 16 13 547-01 16 13 548-01																			MJ 470. Tomgångsmunstycke. Idling jet. P.J 35. P.J 40. P.J 45. P.J 50. P.J 55.	



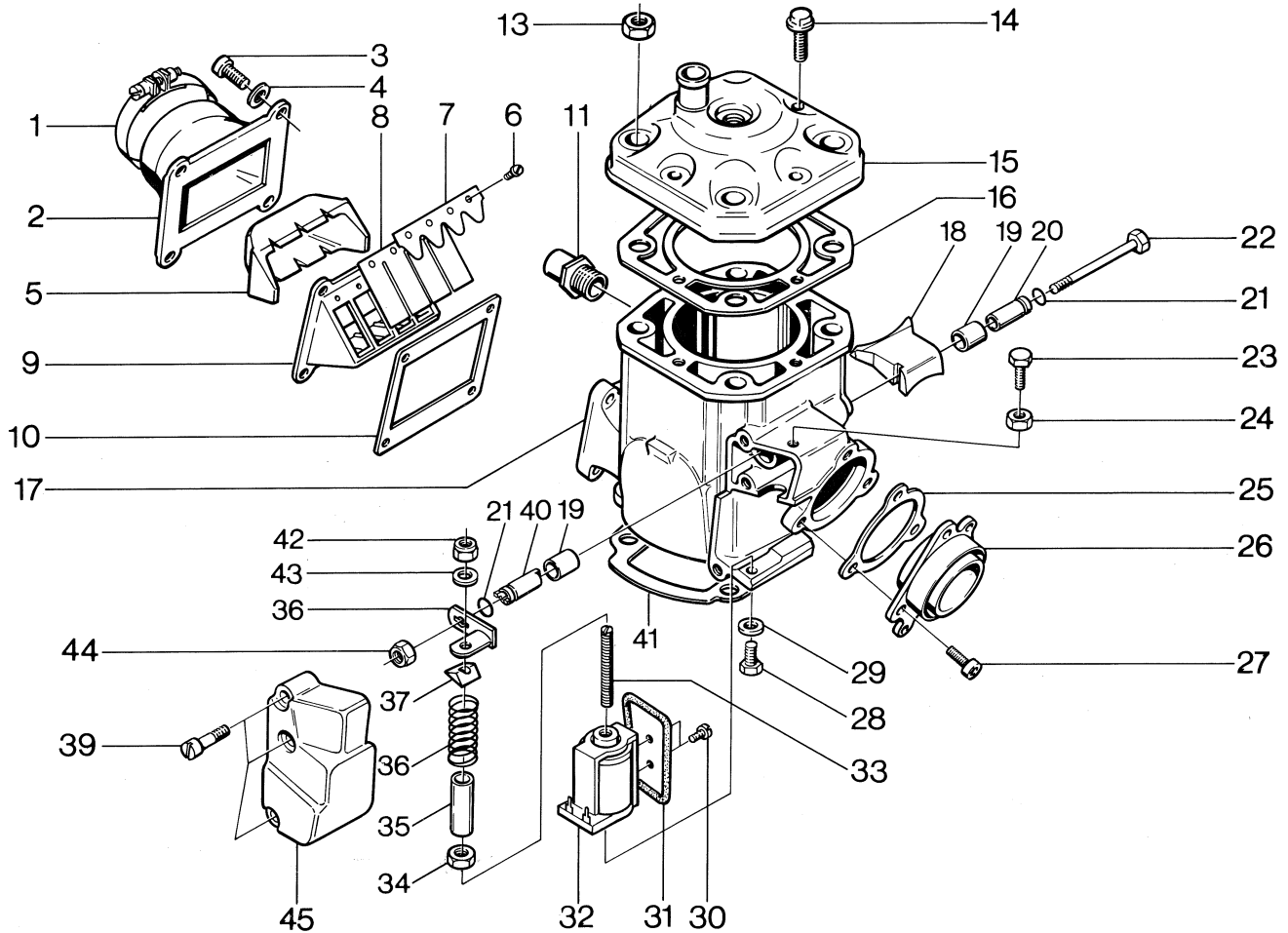
N	Fig.	Reservdel nr Spare part no.	ANTAL – QUANTITY														Benämning, Description	Not.	
			125		240		250			400		430		430 Aut.		500			
			WR	CR	WR	CR	EU WR	US WR	XC	WR	CR	WR	XC	EU	US	CR			XC
N	1	16 13 851-01		1		1												Förgasare, kpl. Ø38. Carburettor compl.	
	2	16 13 757-01		1		1												Justerskruv. Adjuster.	
	3	16 13 758-01		1		1												Mutter. Nut.	
	4	16 13 741-01		2		2												Skruv. Screw.	
	6	16 13 767-01		1		1												Lock. Cover.	
	7	16 13 763-01		1		1												Packning. Gasket.	
	8	16 13 731-01		1		1												Nålmunstycke Q6. Needle jet.	
	9	16 19 857-01		1		1												Startventil. Choke valve compl.	
	10	16 13 752-01		1		1												Luftskruv. Aircscrew.	
	11	16 13 753-01		1		1												Fjäder. Spring.	
	12	16 13 759-01		1		1												Skvalpskydd. Plate.	
	13	16 13 545-01		1		1												Tomgångsmunstycke 40. Pilot jet.	
	14	16 13 578-01		2		2												Flottör. Float.	
	16	16 13 742-01		1		1												Nålventil. Valve.	
	17	16 13 754-01		1		1												Hällare. Holder.	
	18	16 13 755-01		1		1												Skruv. Screw.	
	19	16 13 564-01		1		1												Flottörarm. Float lever.	
	20	16 13 566-01		1		1												Stift. Peg.	
	21	16 13 748-01		1		1												Labyrint.	
	23	16 13 558-01		1		1												Huvudmunstycke 410. Main jet.	
	24	16 13 739-01		1		1												Packning. Gasket.	
	25	16 13 740-01		1		1												Flottörhus. Float chamber.	
	26	16 13 746-01		4		4												Skruv. Screw.	
	28	16 13 750-01		1		1												O-ring.	
	29	16 13 749-01		1		1												Bottenskruv. Drain screw.	
	30	16 13 736-01		1		1												Trottel 4.0. Throttle.	
	31	16 13 747-01		1		1												Nål 6 FJ 40. Needle.	
	32	16 13 583-01		1		1												Nålclips. Needle clip.	
	33	16 13 762-01		1		1												Wirelås. Wire lock.	
	34	16 13 764-01		1		1												Fjäder. Spring.	



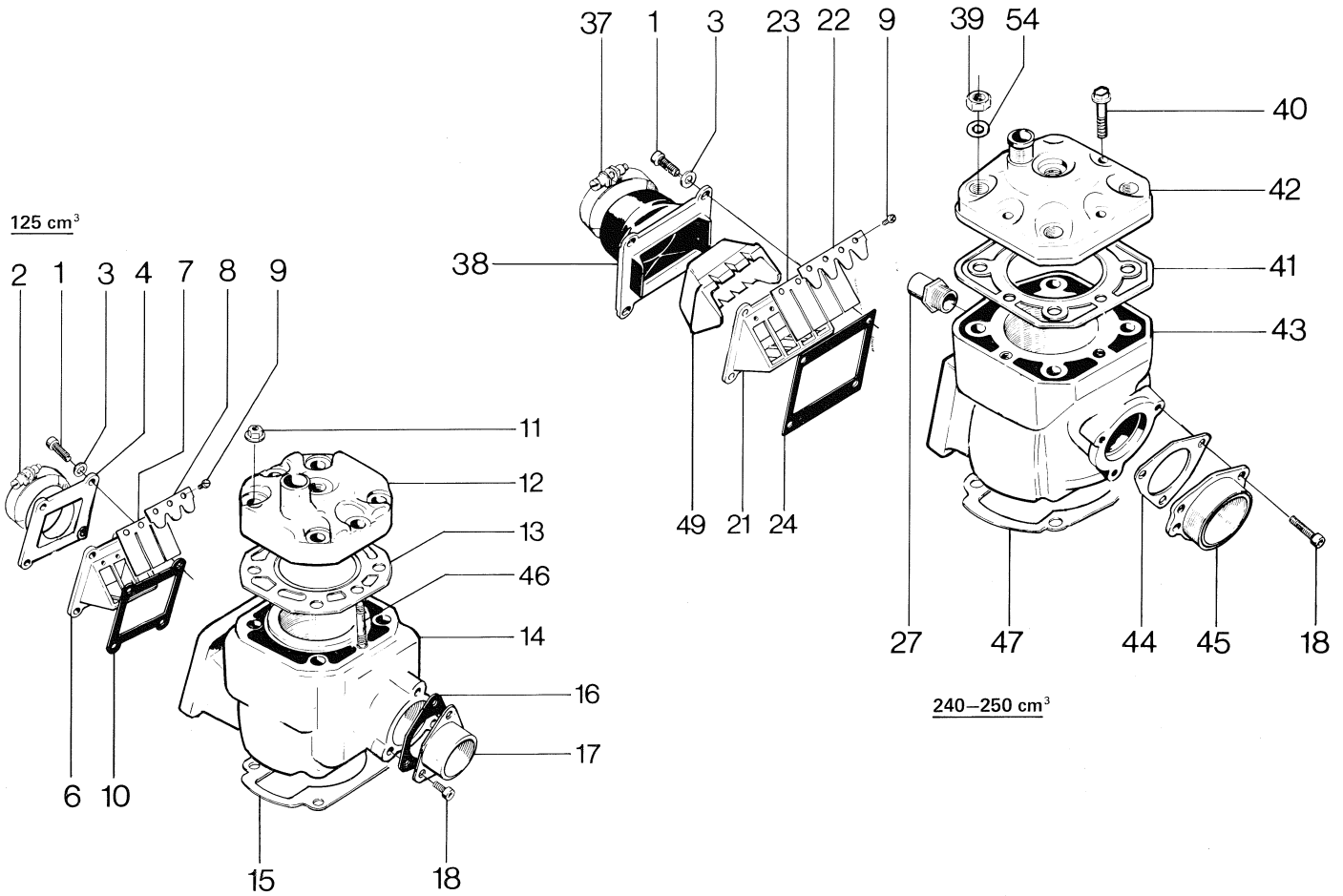
N	Fig.	Reservdel nr Spare part no.	ANTAL – QUANTITY														Benämning, Description	Not.			
			125			240			250			400		430		430 Aut.			500		
			WR	CR	WR	CR	EU WR	US WR	XC	WR	CR	WR	XC	EU	US	CR			XC		
	8	16 13 728-01 16 13 729-01 16 13 730-01 16 13 731-01 16 13 732-01 16 13 733-01																		Nålmunstycke Q2. Needle jet. Nålmunstycke Q3. Needle jet. Nålmunstycke Q4. Needle jet. Nålmunstycke Q6. Needle jet. Nålmunstycke Q8. Needle jet. Nålmunstycke RO. Needle jet.	
	13	16 13 630-01 16 13 510-01 16 13 544-01 16 13 545-01 16 13 546-01 16 13 547-01																		Tomgångsmunstycke 25. Pilot jet. Tomgångsmunstycke 30. Pilot jet. Tomgångsmunstycke 35. Pilot jet. Tomgångsmunstycke 40. Pilot jet. Tomgångsmunstycke 45. Pilot jet. Tomgångsmunstycke 50. Pilot jet.	
	23	16 13 684-01 16 13 685-01 16 13 686-01 16 13 556-01 16 13 557-01 16 13 558-01 16 13 559-01 16 13 560-01																		Huvudmunstycke MJ 360. Main jet. Huvudmunstycke MJ 370. Main jet. Huvudmunstycke MJ 380. Main jet. Huvudmunstycke MJ 390. Main jet. Huvudmunstycke MJ 400. Main jet. Huvudmunstycke MJ 410. Main jet. Huvudmunstycke MJ 420. Main jet. Huvudmunstycke MJ 430. Main jet.	
	30	16 13 734-01 16 13 735-01 16 13 736-01 16 13 737-01																		Trottel 6.0. Throttle. Trottel 5.0. Throttle. Trottel 4.0. Throttle. Trottel 3.0. Throttle.	



N	Fig.	Reservdel nr Spare part no.	ANTAL – QUANTITY														Benämning, Description	Not.		
			125		240		250				400		430		430 Aut.				500	
			WR	CR	WR	CR	EU WR	US WR	XC	WR	CR	WR	XC	EU	US	CR			XC	
N	1	16 14 821-01		1		1				1									Tändmodul. Lighting module.	
	2	16 14 635-01		1		1				1									Tändstiftsanslutning m. fjäder. Spark plug conn	
N	3	16 14 818-02		1		1				1									Tändstift Autolite 4054. Spark plug.	
	4	725 23 33-51		2		2				2									Skruv M5x25. Screw.	
	5	732 21 14-01		2		2				2									Mutter M5. Nut.	
		732 21 16-01		2		2				2									Mutter M6. Nut.	
N	6	16 14 824-01		1		1				1									Styrenhet. Processor unit.	
	7	725 53 68-01		2		2				2									Skruv M6x16. Screw.	
N	8	16 14 823-01								1									Svänghjuls magnet kpl. Magneto compl.	
N	9	16 14 820-01		1		1													Svänghjuls magnet kpl. Magneto compl.	
	10	16 11 191-01		1		1				1									Mutter svänghjul. Nut magneto.	
	11	725 53 32-55		3		3				3									Skruv M5x22. Screw.	
	12	15 13 730-01		3		3				3									Bricka. Washer.	

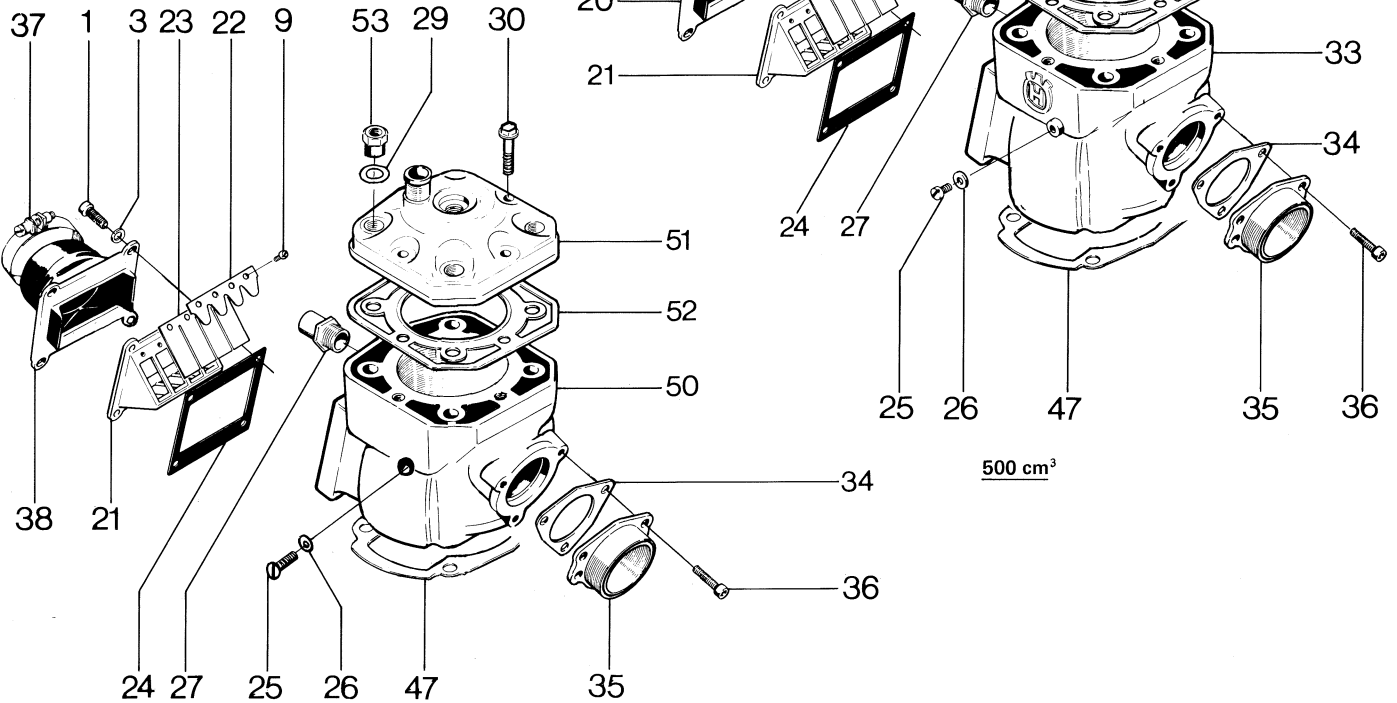


N	Fig.	Reservdel nr Spare part no.	ANTAL – QUANTITY												Benämning, Description	Not.					
			125			240			250			400		430			430 Aut.		500		
			WR	CR	WR	CR	EU WR	US WR	XC	WR	CR	WR	XC	EU			US	CR	XC		
	1	16 15 389-01			1														Slangklämma Norma S54/9Sy. Hose clamp.		
	2	16 15 272-01			1														Förgasanslutning. Intake manifold.		
	3	725 53 70-01			4														Skruv M 6x20. Screw.		
	4	735 11 53-50			4														Bricka. Washer.		
	5	16 14 445-01			1														Ventilhållarinsats. Reed cage insert.		
	6	723 22 85-31			8														Skruv M 4x6. Screw.		
	7	16 11 866-01			2														Ventilstöd. Reed support.		
	8	16 11 864-01			2														Ventil. Reed.		
	9	16 11 856-01			1														Ventilhållare. Reed cage.		
	10	16 11 861-01			1														Packning ventilhus. Gasket.		
	13	15 13 704-01			4														Mutter. Nut.		
	14	15 13 700-01			4														Skruv. Screw.		
N	15	16 16 369-01			1														Topplöck. Cylinder head.		
N	16	16 16 388-01			1														Topplöckspackning. Cylinder head gasket.		
N	17	16 16 391-01			1														Cylinder kpl. Cylinder cpl.		
N	17	16 16 391-02					1												Cylinder kpl. Cylinder cpl.		
N	18	16 16 396-01			1														Klaff. Flap.		
N	19	16 16 401-01			2														Bussning. Bushing.		
N	20	16 16 397-01			1														Hylsa. Sleeve.		
N	21	740 42 05-10			2														O-ring.		
N	22	725 23 46-51			1														Skruv M 5x75. Screw.		
	23	725 23 68-51			1														Skruv M 6x16. Screw.		
	24	731 23 16-01			1														Mutter M 6. Nut.		
	25	16 14 537-01			1														Packning. Gasket.		
	26	16 14 534-01			1														Avgasstos. Exhaust manifold.		
	27	725 53 68-01			3														Skruv M6x16. Screw.		
	28	725 23 23-51			1														Skruv M 5x8. Screw.		
	29	735 11 46-50			1														Vågbricka. Wave washer.		
N	30	723 12 20-01			2														Skruv M3x6. Screw.		
N	31	16 16 407-01					2												Skyddsplåt. Protection plate.		
N	32	16 16 402-01			1														Elmagnet. Solenoid.		
N	33	727 32 80-40			1														Pinnskruv 4x40 RFR. Pin bolt.		
	34	731 23 12-01			1														Mutter M6M 4. Nut.		
	35	15 14 078-07			1														Slang. Hose.		

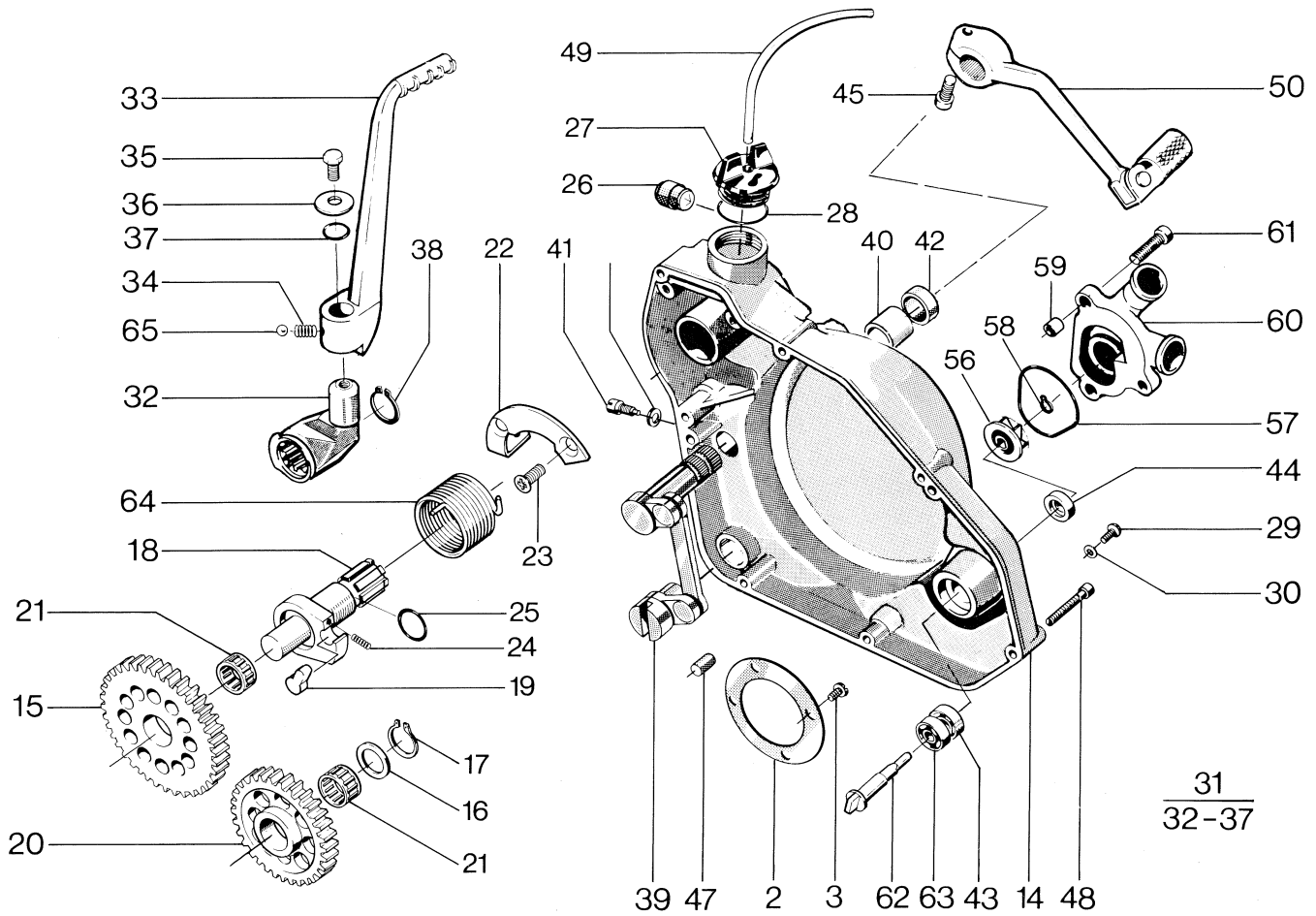


N	Fig.	Reservdel nr Spare part no.	ANTAL – QUANTITY												Benämning, Description	Not.			
			125		240			250			400	430		430 Aut.			500		
			WR	CR	WR	CR	EU WR	US WR	XC	WR	CR	WR	XC	EU			US	CR	XC
	1	725 53 72-01	4		4		4	4	4									Skruv M6x25. Screw.	
	2	16 13 227-01	1															Klämma. Clamp.	
	3	735 11 53-50	4		4		4	4	4									Bricka. Washer.	
	4	16 11 857-01	1															Insugningsrör. Intake manifold.	
	6	16 11 855-01	1															Ventilhållare. Reed cage.	
	7	16 11 863-01	2															Ventil. Reed.	
	8	16 11 865-01	2															Ventilstöd. Reed support.	
	9	723 22 85-31	6		8		8	8	8									Skruv. Screw.	
	10	16 11 859-01	1															Packning. Gasket.	
	11	15 13 731-01	6															Mutter. Nut.	
	12	16 14 516-01	1															Cylinderlock. Cylinderhead.	
	13	16 14 522-01	1															Packning. Gasket.	
	14	16 14 437-02	1															Cylinder.	
	15	16 11 880-01	1															Packning. Gasket.	
	16	16 14 558-01	1															Packning. Gasket.	
	17	16 14 555-01	1															Avgasstos. Exhaust manifold.	
	18	725 53 68-01	3															Skruv M6x16. Screw.	
	21	16 11 856-01			1		1	1	1									Ventilhållare. Reed cage.	
	22	16 11 866-01			2		2	2	2									Ventilstöd. Reed support.	
	23	16 11 864-01			2		2	2	2									Ventil. Reed.	
	24	16 11 861-01			1		1	1	1									Packning. Gasket.	
	27	16 14 506-01	1		1		1	1	1									Anslutning. Hose connection	
	37	16 15 389-01			1		1	1	1									Klämma. Clamp.	
	38	16 15 302-01			1		1	1	1									Förgasranslutning. Intake manifold.	
	39	16 14 473-01			4		4	4	4									Mutter M10. Nut.	
	40	15 13 700-01			4		4	4	4									Skruv M8x40. Screw.	
N	41	16 16 388-01			1		1	1	1									Packning. Gasket.	
N	42	16 16 369-01			1		1	1	1									Cylinderlock. Cylinder head.	
N	43	16 16 378-01			1													Cylinder.	
N		16 16 378-02					1	1	1									Cylinder.	
	44	16 14 537-01			1		1	1	1									Packning. Gasket.	
	45	16 14 534-01			1		1	1	1									Avgasstos. Exhaust manifold.	
	46	16 14 541-01	4		4		4	4	4									Pinnskruv. Stud.	
	47	16 11 882-01			1		1	1	1									Packning. Gasket.	
	49	16 14 445-01			1		1	1	1									Insats, flapshållare. Insert, reed valve holder.	

400–430 cm³

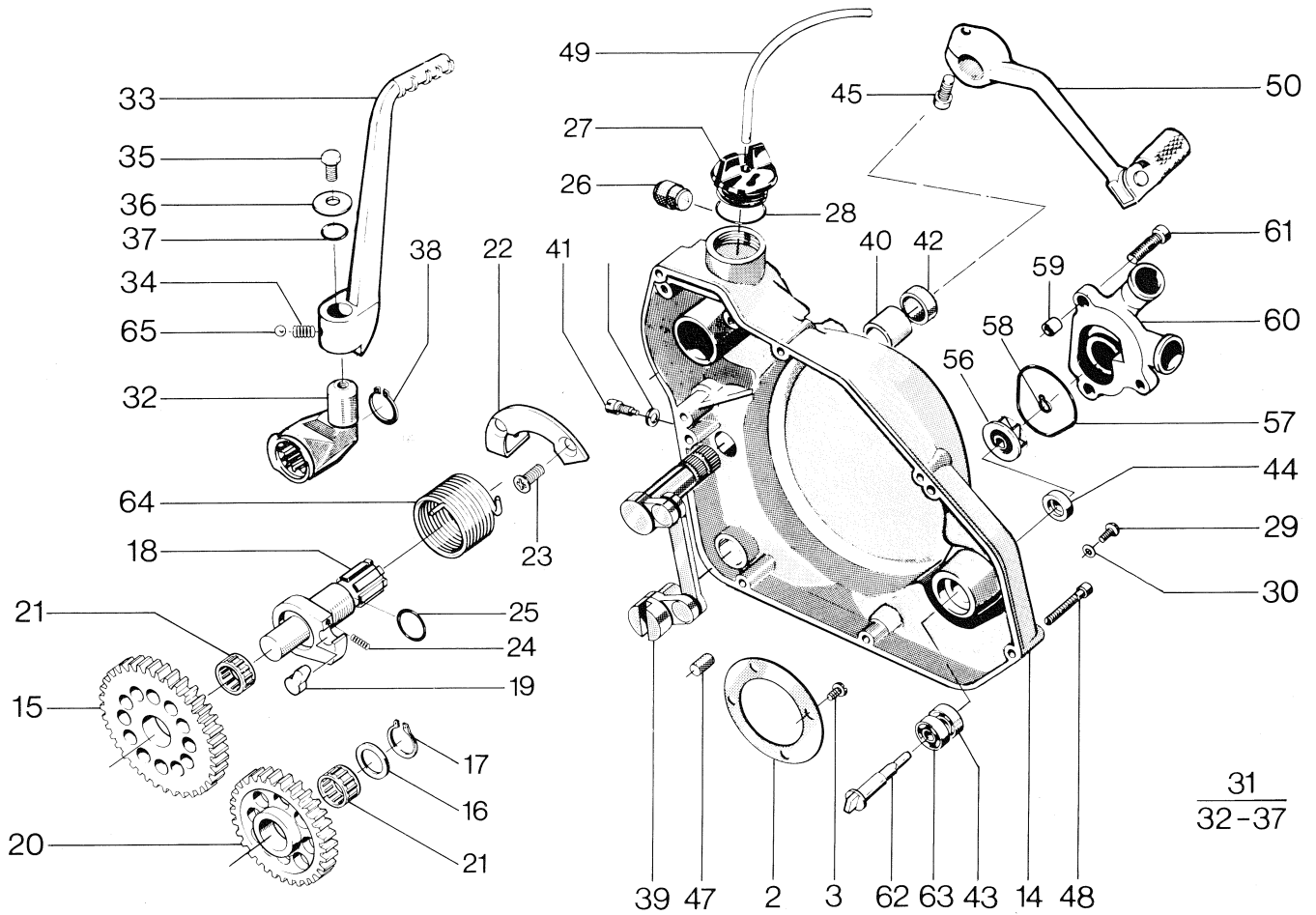


N	Fig.	Reservdel nr Spare part no.	ANTAL – QUANTITY																Benämning, Description	Not.	
			125			240			250			400		430		430 Aut.		500			
			WR	CR	WR	CR	EU WR	US WR	XC	WR	CR	WR	XC	EU	US	CR	XC				
	1	725 53 72-01										4	4	4	4	4	4	4	4	Skruv M6x25. Screw.	
	3	735 11 53-50										4	4	4	4	4	4	4	4	Bricka. Washer.	
	9	723 22 85-31										8	8	8	8	8	8	8	8	Skruv. Screw.	
	19	16 13 598-01															1	1		Klämma. Clamp.	
	20	16 15 271-01																1		Insugningsrör. Intake manifold.	
		16 15 302-01																1		Insugningsrör. Intake manifold.	
	21	16 11 856-01										1	1	1	1	1	1	1	1	Ventilhållare. Reed cage.	
	22	16 11 866-01										2	2	2	2	2	2	2	2	Ventilstöd. Reed support.	
	23	16 11 864-01										2	2	2	2	2	2	2	2	Ventil. Reed.	
	24	16 11 861-01										1	1	1	1	1	1	1	1	Packning. Gasket.	
	25	725 23 64-53										1	1	1	1	1	1	1	1	Skruv M6x10. Screw.	
	26	16 10 823-01										1	1	1	1	1	1	1	1	Bricka. Washer.	
	27	16 14 506-01										1	1	1	1	1	1	1	1	Anslutning. Hose connection.	
	28	16 11 190-01															4	4		Mutter. Nut.	
	29	16 14 583-01										4	4	4	4	4	4	4	4	Bricka. Washer.	
	30	15 13 700-01										4	4	4	4	4	4	4	4	Skruv M8x40. Screw.	
	31	16 14 593-02															1	1		Cylinderlock. Cylinder head.	
	32	16 14 587-01															1	1		Packning. Gasket.	
	33	16 16 390-01															1	1		Cylinder.	
	34	16 14 570-01															1	1		Packning. Gasket.	
	35	16 14 567-01										1	1	1	1	1	1	1	1	Avgasstos. Exhaust manifold.	
	36	725 53 69-01										3	3	3	3	3	3	3	3	Skruv M6x18. Screw.	
	37	16 15 389-01										1	1	1	1	1	1	1	1	Klämma. Clamp.	
	38	16 15 302-01										1	1	1	1	1	1	1	1	Förgasarslutning. Intake manifold.	
	47	16 11 882-01										1	1	1	1	1	1	1	1	Packning. Gasket.	
	50	16 14 457-01										1						1	1	Cylinder 400.	
		16 14 480-01											1	1	1	1				Cylinder 430.	
	51	16 14 576-01										1								Cylinderlock 400. Cylinder head.	
		16 14 483-01											1	1	1	1				Cylinderlock 430. Cylinder head.	
	52	16 14 577-01										1								Packning 400. Gasket.	
		16 14 482-01											1	1	1	1				Packning 430. Gasket.	
	53	16 11 077-01										4	4	4	4	4	4	4	4	Halsmutter. Nut.	



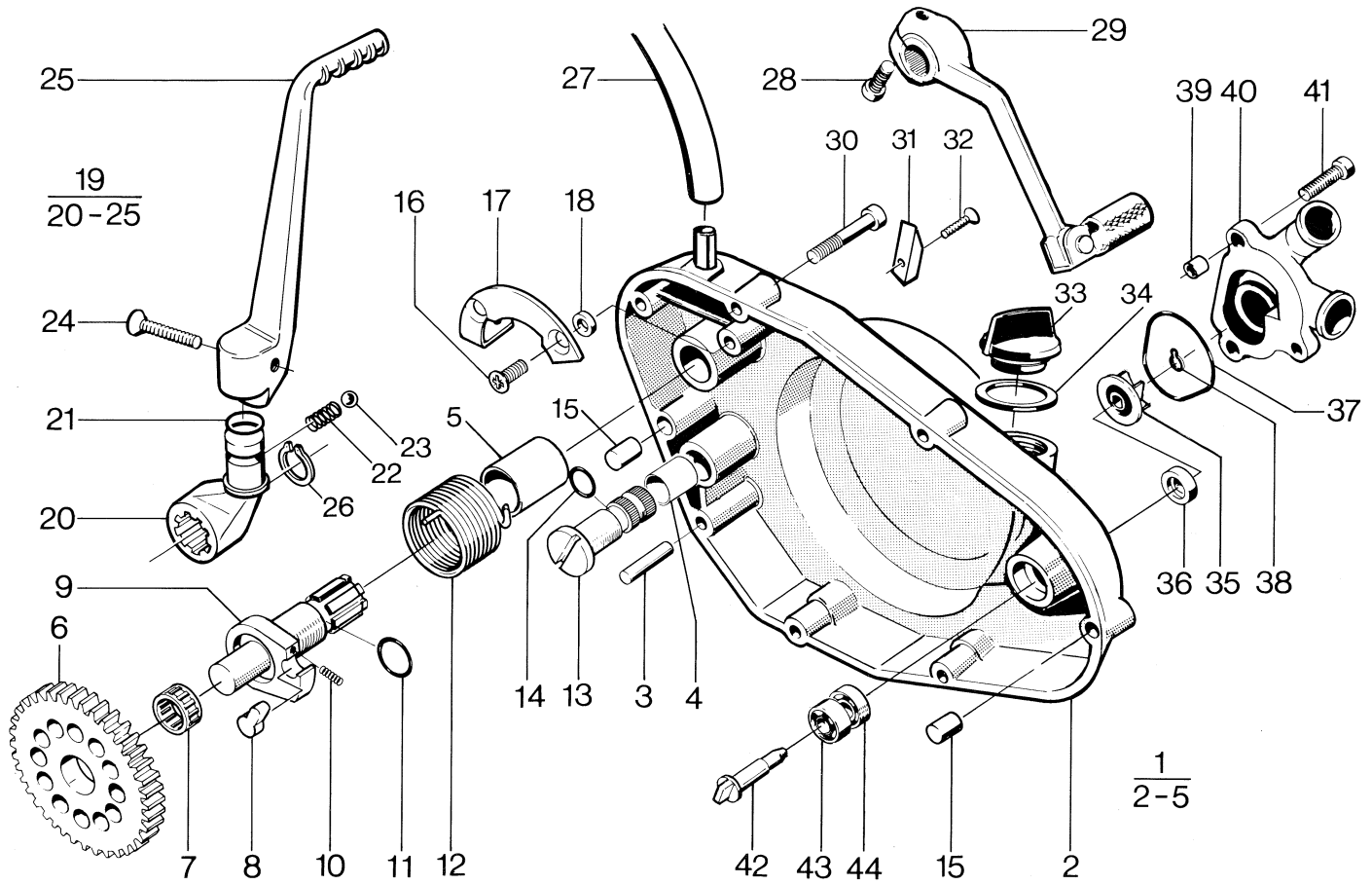
31
32-37

N	Fig.	Reservdel nr Spare part no.	ANTAL – QUANTITY																Benämning, Description	Not.
			125		240		250				400		430		430 Aut.		500			
			WR	CR	WR	CR	EU	US	XC	WR	CR	WR	XC	EU	US	CR	XC			
	3	725 23 31-86	4															Skruv M5x20. Screw.		
	14	16 19 849-02	1															Vevhuskåpa, vänster. Transmission cover.		
	15	16 14 470-01	1															Kickhjul. Gearwheel kickstart.		
	16	15 13 714-01	1															Bricka. Washer.		
	17	735 31 18-00	1															Spårring. Circlip.		
	18	16 11 678-01	1															Kickaxel. Kickshaft.		
	19	16 11 680-01	1															Medbringare. Pawl.		
	20	16 11 281-01	1															Mellanhjul. Idle gear.		
	21	16 11 675-01	1															Nållager. Needle bearing.		
	22	16 11 284-01	1															Fjäderhållare. Spring holder.		
	23	725 63 31-05	2															Skruv. Screw.		
	24	16 11 681-01	1															Fjäder. Spring.		
	25	740 43 13-10	2															O-ring.		
	26	16 17 017-01	1															Buffert. Buffert.		
	27	16 10 786-01	1															Lock. Cap.		
	28	50 12 782-01	1															Packning. Gasket.		
	29	723 13 64-01	1															Skruv M6x10. Screw.		
	30	16 10 823-01	1															Packning. Gasket.		
	31	16 11 086-01	1															Kickstartpedal. Kick starter pedal.		
	32	16 11 672-02	1															Underdel, kick. Lower part.		
	33	16 11 083-01	1															Kickstartpedal. Kick starter pedal.		
	34	16 11 084-01	1															Fjäder. Spring.		
	35	725 53 66-01	1															Skruv M6x12. Screw.		
	36	16 11 298-01	1															Bricka. Washer.		
	37	740 43 13-10	1															O-ring.		
	38	735 31 22-00	1															Spårring. Circlip.		
	39	16 11 535-01	1															Växelmekanism, kpl. Gear links compl.		
	40	16 11 474-01	1															Bussning. Bushing.		
	41	12 25 077-01	1															Stopskruv. Screw.		
	42	503 26 02-05	1															Tätning. Seal.		
	43	738 21 98-04	1															Kullager. Bearing.		
	44	16 17 958-01	1															Tätning. Seal.		

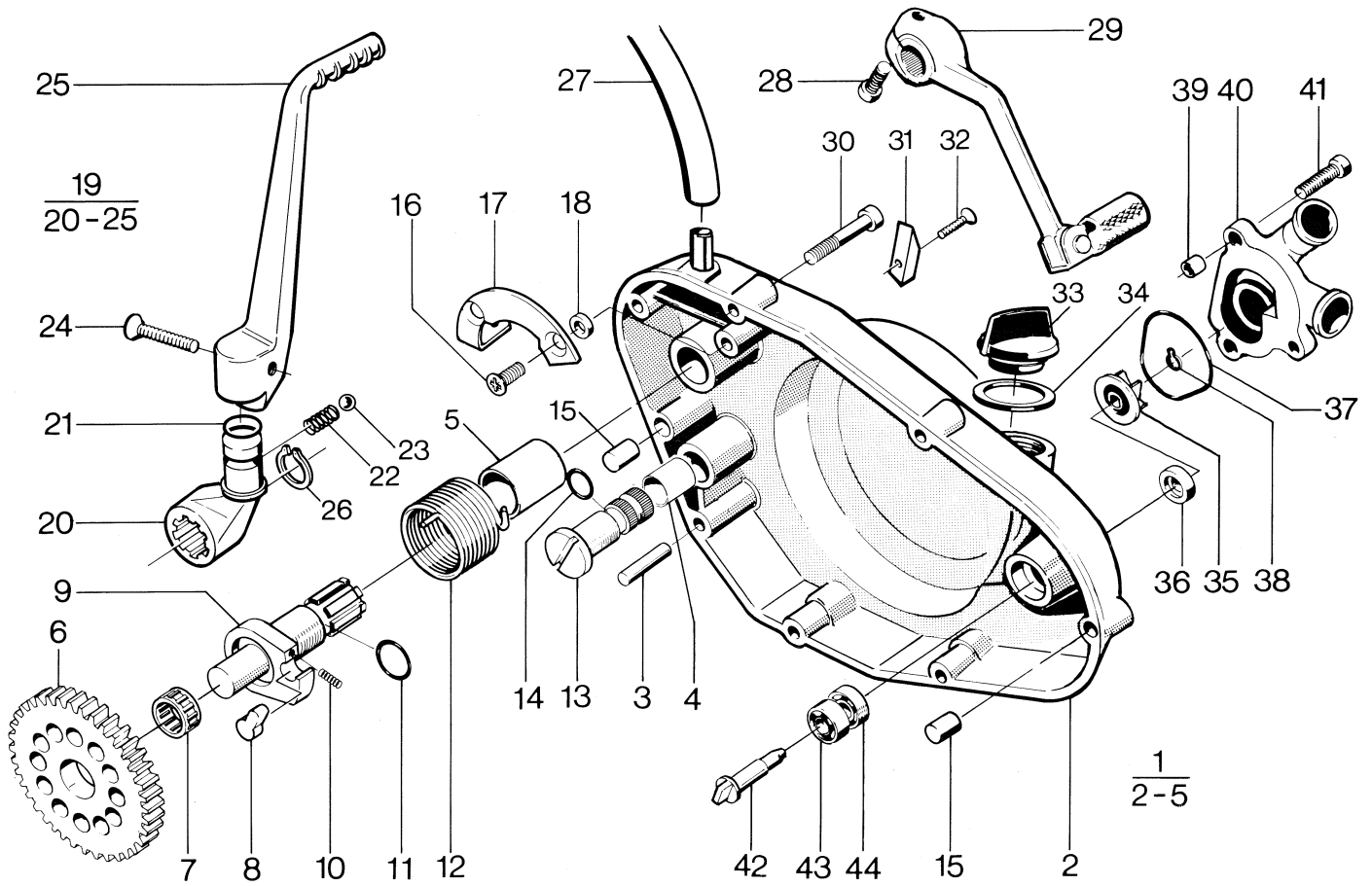


31
32-37

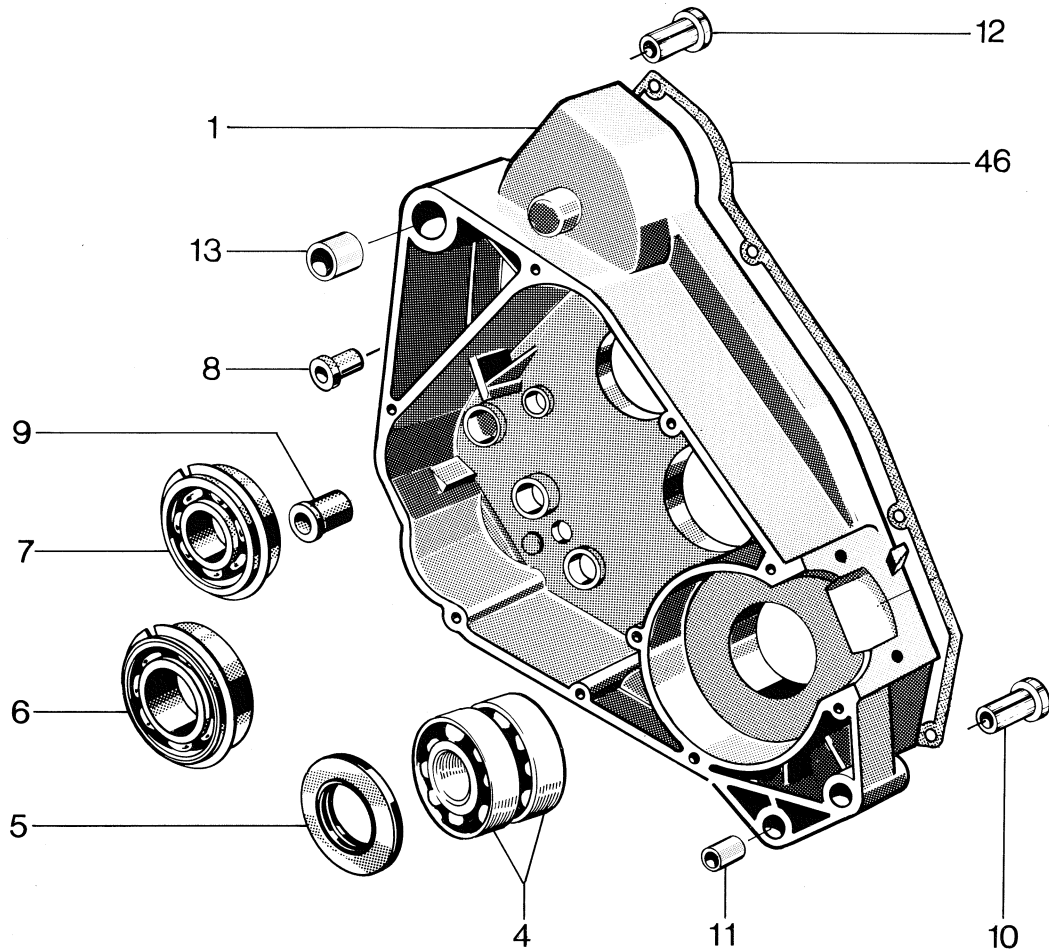
N	Fig.	Reservdel nr Spare part no.	ANTAL – QUANTITY																Benämning, Description	Not.	
			125			240			250			400		430		430 Aut.		500			
			WR	CR	WR	CR	EU WR	US WR	XC	WR	CR	WR	XC	EU	US	CR	XC				
45	725 53 70-01	1																	Skruv M6x20. Screw.		
48	725 53 76-01	7																	Skruv M6x35. Screw.		
49	12 25 621-10	1																	Slang/m 4.8x8. Hose/m.		
50	16 16 359-01	1																	Fotväxelpedal. Shift lever.		
56	16 17 951-01	1																	Pumphjul. Pumpwheel.		
57	740 48 34-03	1																	O-ring.		
58	735 31 08-01	1																	Låsring. Circlip.		
59	16 17 955-01	2																	Styrstift. Peg.		
60	16 17 967-01	1																	Pumphus. Pumphousing.		
61	725 53 71-01	3																	Skruv M6x22. Screw.		
62	16 17 966-01	1																	Pumpaxel. Pump shaft.		
63	738 21 98-00	1																	Kullager. Bearing.		
64	16 11 682-01	1																	Kickfjäder. Spring.		
65	738 61 20-03	1																	Kula. Ball.		



N	Fig.	Reservdel nr Spare part no.	ANTAL – QUANTITY														Benämning, Description	Not.			
			125			240			250			400		430		430 Aut.			500		
			WR	CR	WR	CR	EU WR	US WR	XC	WR	CR	WR	XC	EU	US	CR			XC		
N	1	16 19 900-01																1	1	Vevhuskåpa vänster, kpl. Transmission cover.	
	3	720 13 61-50																1	1	Räffelpinne. Pin.	
	4	16 14 472-01																1	1	Bussning. Bushing.	
	5	16 14 469-01																1	1	Bussning. Bushing.	
	6	16 11 270-01																1	1	Kugghjul. Gear wheel.	
	8	16 11 680-01																1	1	Medbringare. Driving.	
	9	16 11 677-01																1	1	Kickaxel. Shaft.	
	10	16 11 681-01																1	1	Fjäder. Spring.	
	11	740 43 13-10																1	1	O-ring.	
	12	16 11 682-01																1	1	Kickfjäder. Spring.	
	13	16 11 746-01																1	1	Växlingsaxel. Shaft.	
	14	740 43 10-10																2	2	O-ring	
	15	16 11 708-01																2	2	Styrhylsa. Steering sleeve.	
	16	724 33 70-50																2	2	Skruv M 6x20. Screw.	
	17	16 11 704-01																1	1	Fjäderhållare. Spring holder.	
	18	16 11 706-01																2	2	Distans. Distance.	
	19	16 14 385-01																1	1	Kickstartev. Kick starter.	
N	20	16 14 423-01																1	1	Underdel, kick. Lower part, kickstarter.	
	21	740 43 15-02																1	1	O-ring.	
	22	16 11 084-01																1	1	Fjäder. Spring.	
	23	738 61 20-03																1	1	Kula. Ball.	
N	24	725 63 74-03																1	1	Skruv M 6x30. Screw.	
N	25	16 14 424-01																1	1	Kickstartpedal. Kick starter pedal.	
	26	735 31 22-00																1	1	Spärring. Circlip.	
	27	16 14 540-01																1	1	Ventilationssläng. Ventilation hose.	
	28	725 53 70-01																1	1	Skruv M 6x22. Screw.	
	29	16 16 359-01																1	1	Fotväxelpedal kpl. Shift lever cpl.	
	30	725 53 79-01																7	7	Skruv M 6x45. Screw.	
N	31	16 14 375-01																1	1	Gummistop, kickstart. Buffer.	
	32	725 62 94-03																1	1	Skruv M 4x18. Screw.	
	33	16 10 786-02																1	1	Lock. Cap.	
	34	16 12 788-01																1	1	Packning. Gasket.	

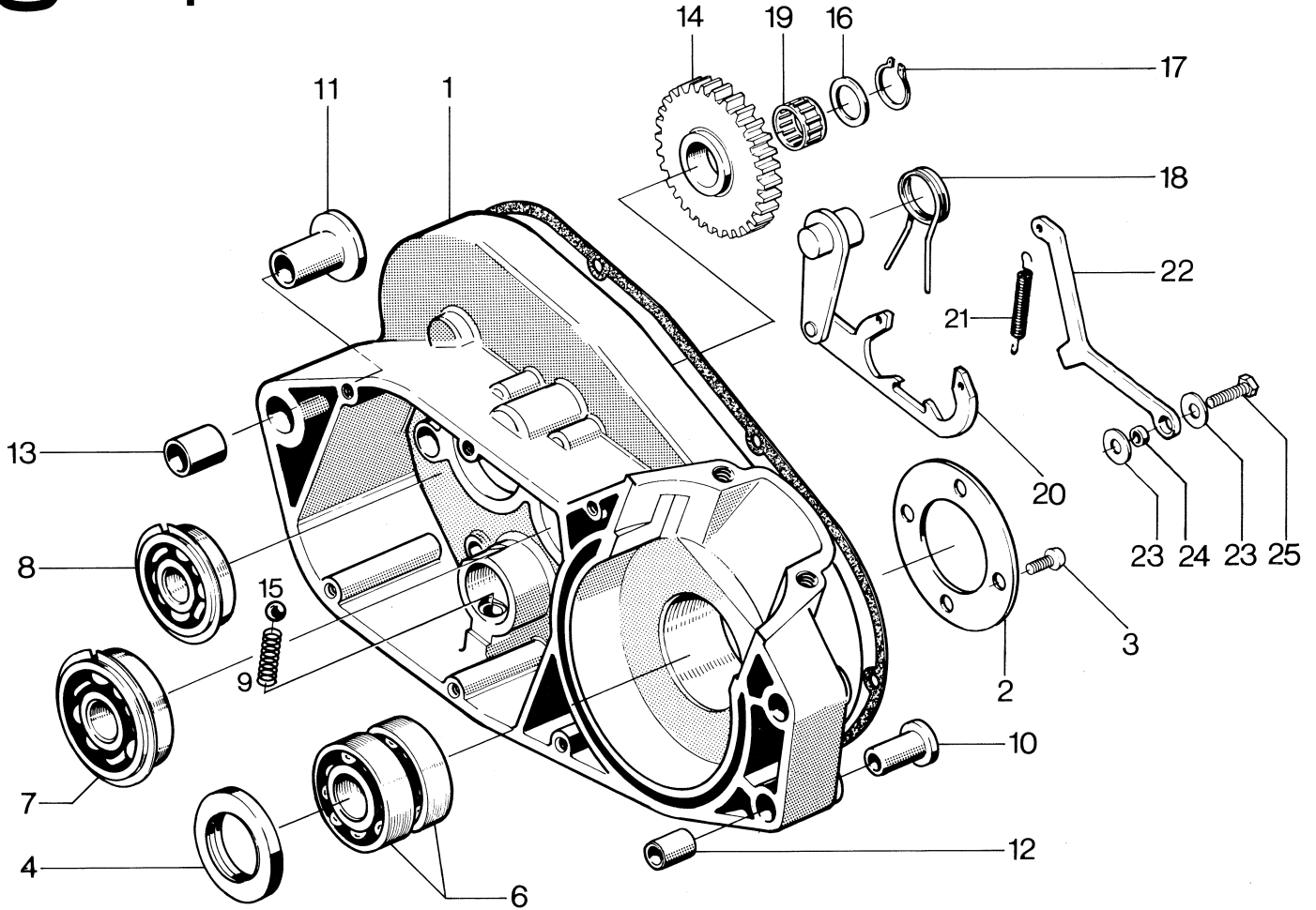


N	Fig.	Reservdel nr Spare part no.	ANTAL – QUANTITY														Benämning, Description	Not.	
			125		240		250			400		430		430 Aut.		500			
			WR	CR	WR	CR	EU WR	US WR	XC	WR	CR	WR	XC	EU	US	CR			XC
35		16 17 951-01		1	1	1	1	1	1	1	1	1	1			1	1	Pumphjul. Pump wheel.	
36		16 17 958-01		1	1	1	1	1	1	1	1	1	1			1	1	Tätning. Seal.	
37		740 48 34-03		1	1	1	1	1	1	1	1	1	1			1	1	O-ring.	
38		735 31 08-00		1	1	1	1	1	1	1	1	1	1			1	1	Låsring. Circlip.	
39		16 17 955-01		2	2	2	2	2	2	2	2	2	2			2	2	Styrstift. Peg.	
40		16 17 967-01		1	1	1	1	1	1	1	1	1	1			1	1	Pumphus. Pump housing.	
41		725 53 71-01		3	3	3	3	3	3	3	3	3	3			3	3	Skruv M 6x22. Screw.	
42		16 17 966-01		1	1	1	1	1	1	1	1	1	1			1	1	Pumpaxel. Pump shaft.	
43		738 21 98-00		1	1	1	1	1	1	1	1	1	1			1	1	Kullager. Ball bearing.	
44		738 21 98-04		1	1	1	1	1	1	1	1	1	1			1	1	Lager. Bearing.	

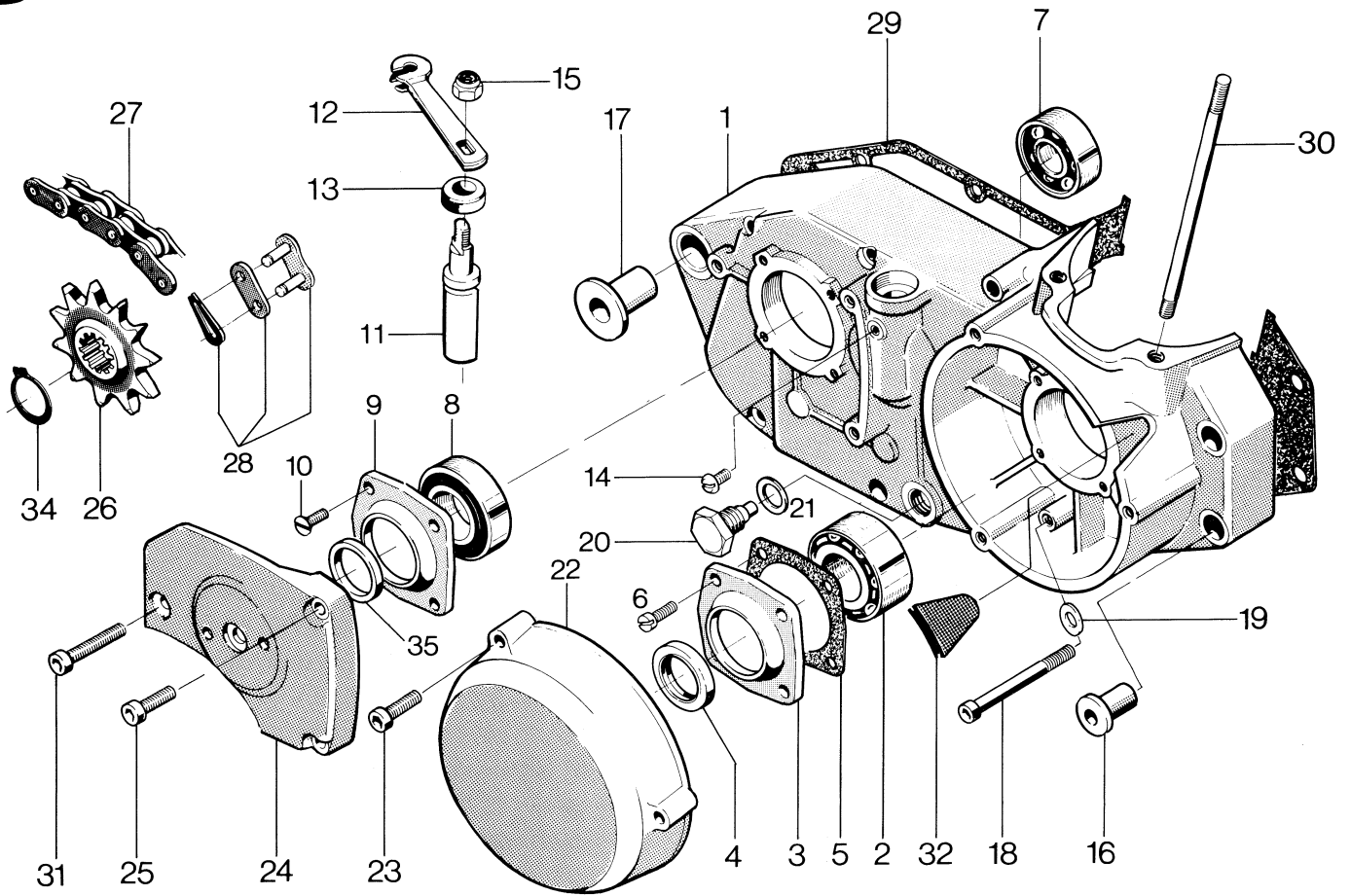


1
10,12

N	Fig.	Reservdel nr Spare part no.	ANTAL – QUANTITY														Benämning, Description	Not.		
			125		240		250				400		430		430 Aut.				500	
			WR	CR	WR	CR	EU WR	US WR	XC	WR	CR	WR	XC	EU	US	CR			XC	
	1	16 19 691-01	1																Vevhushalva, vänster. Crankcase half left.	
		16 19 692-01	1																Vevhushalvor par. Crankcase halves pair.	
	2	16 11 566-01	1																Stödbricka. Support washer.	
	4	738 22 04-25	2																Kullager SKF 3204/C3. Ball bearing.	
	5	15 13 724-01	1																Tätning. Seal.	
	6	15 13 721-01	1																Kullager SKF 6205 NR/C3. Ball bearing.	
	7	15 13 720-01	1																Kullager SKF 6303 NR/C3. Ball bearing.	
	8	16 11 465-01	2																Bussning. Bushing.	
	9	12 25 356-01	1																Bussning. Bushing.	
	10	16 10 777-01	2																Flänsbussning. Flange sleeve.	
	11	16 10 776-01	1																Styrhylsa. Steering sleeve.	
	12	16 14 589-01	1																Flänsbussning. Flange sleeve.	
	13	16 14 590-01	1																Styrhylsa. Steering sleeve.	
	46	16 10 792-01	1																Packning. Gasket.	

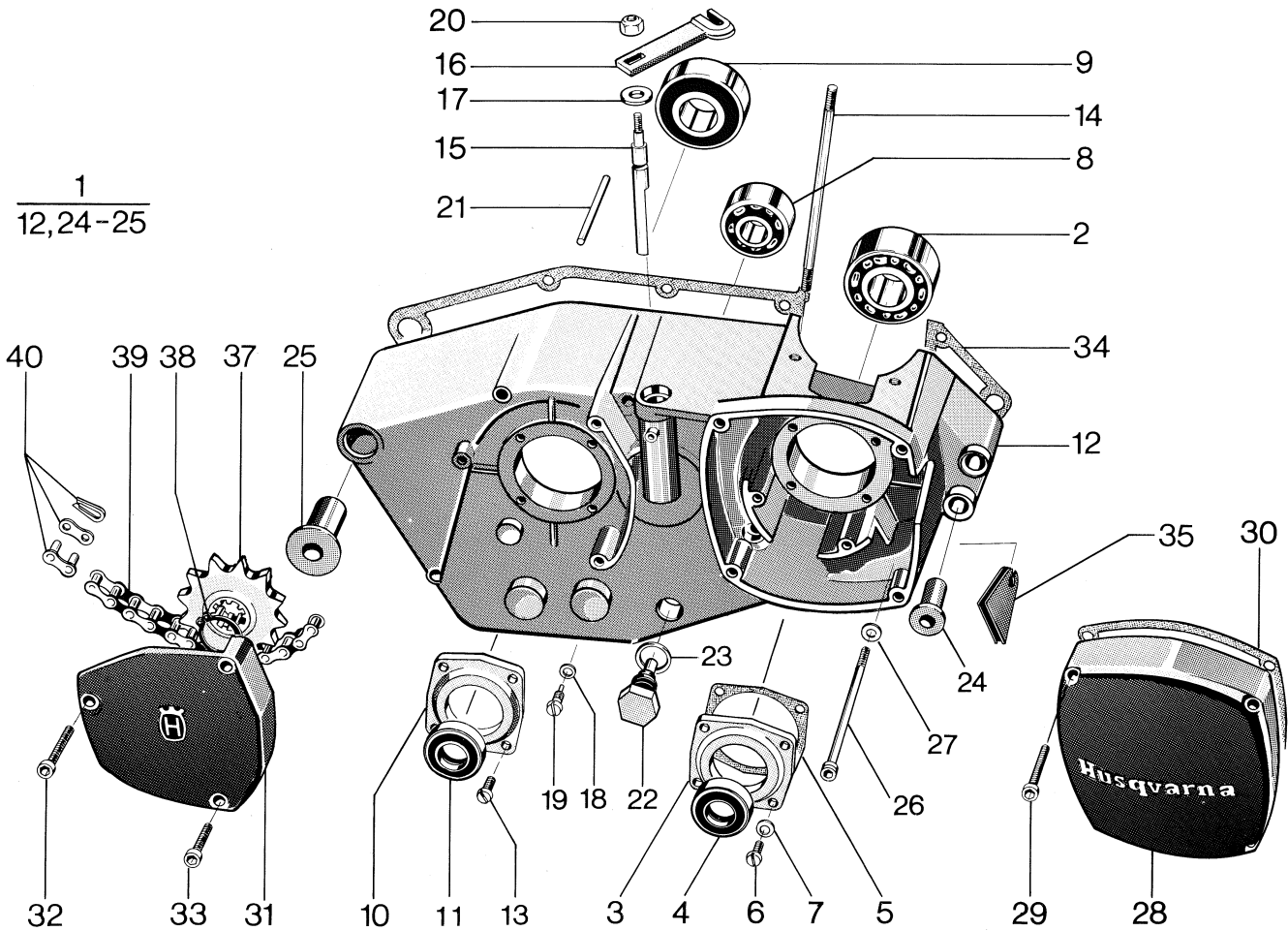


N	Fig.	Reservdel nr Spare part no.	ANTAL – QUANTITY														Benämning, Description	Not.		
			125		240		250			400		430		430 Aut.		500				
			WR	CR	WR	CR	EU	US	XC	WR	CR	WR	XC	EU	US	CR			XC	
N	1	16 19 894-01		1	1	1	1	1	1										Vevhushalva, vänster kpl. Crankcase half left.	
N		16 19 688-02							1	1	1	1				1	1	Vevhushalva, vänster kpl. Crankcase half left.		
	2	16 10 779-01		1	1	1	1	1	1	1	1	1				1	1	Stöbricka. Support washer.		
	3	725 23 31-86		4	4	4	4	4	4	4	4	4				4	4	Skruv M6x20. Screw.		
	4	15 13 726-01		1	1	1	1	1	1	1	1	1				1	1	Tätning. Seal.		
	5	16 11 650-02		1	1	1	1	1	1	1	1	1				1	1	Packning. Gasket.		
	6	738 22 05-25		2	2	2	2	2	2	2	2	2				2	2	Kullager. Ball bearing.		
	7	15 13 721-01		1	1	1	1	1	1	1	1	1				1	1	Kullager. Ball bearing.		
	8	15 13 720-01		1	1	1	1	1	1	1	1	1				1	1	Kullager. Ball bearing.		
	9	16 12 745-01		1	1	1	1	1	1	1	1	1				1	1	Fjäder. Spring.		
	10	16 10 777-01		2	2	2	2	2	2	2	2	2				2	2	Flänsbussning. Flange sleeve.		
	11	16 14 589-01		2	2	2	2	2	2	2	2	2				2	2	Flänsbussning. Flange sleeve.		
	12	16 10 776-01		1	1	1	1	1	1	1	1	1				1	1	Styrhylsa, fram. Steering sleeve.		
	13	16 14 590-01		1	1	1	1	1	1	1	1	1				1	1	Styrhylsa, bak. Steering sleeve.		
	14	16 11 271-01		1	1	1	1	1	1	1	1	1				1	1	Mellanhjul. Cog wheel.		
	15	738 61 30-03		1	1	1	1	1	1	1	1	1				1	1	Kula. Ball.		
	16	15 13 714-01		1	1	1	1	1	1	1	1	1				1	1	Bricka. Washer.		
	17	735 31 18-00		1	1	1	1	1	1	1	1	1				1	1	Spärring. Circlip.		
	18	16 11 692-01		1	1	1	1	1	1	1	1	1				1	1	Återgångsfjäder. Return spring.		
	19	16 11 675-01		1	1	1	1	1	1	1	1	1				1	1	Nålhylsa. Sleeve.		
	20	16 11 686-01		1	1	1	1	1	1	1	1	1				1	1	Växelmatare. Kicker.		
	21	16 11 684-01		1	1	1	1	1	1	1	1	1				1	1	Fjäder. Spring.		
	22	16 11 683-01		1	1	1	1	1	1	1	1	1				1	1	Lägeshake. Hook link.		
	23	15 13 734-01		2	2	2	2	2	2	2	2	2				2	2	Bricka. Washer.		
	24	16 11 216-01		1	1	1	1	1	1	1	1	1				1	1	Bussning. Bushing.		
	25	725 23 68-53		1	1	1	1	1	1	1	1	1				1	1	Skruv M 6x16. Screw.		



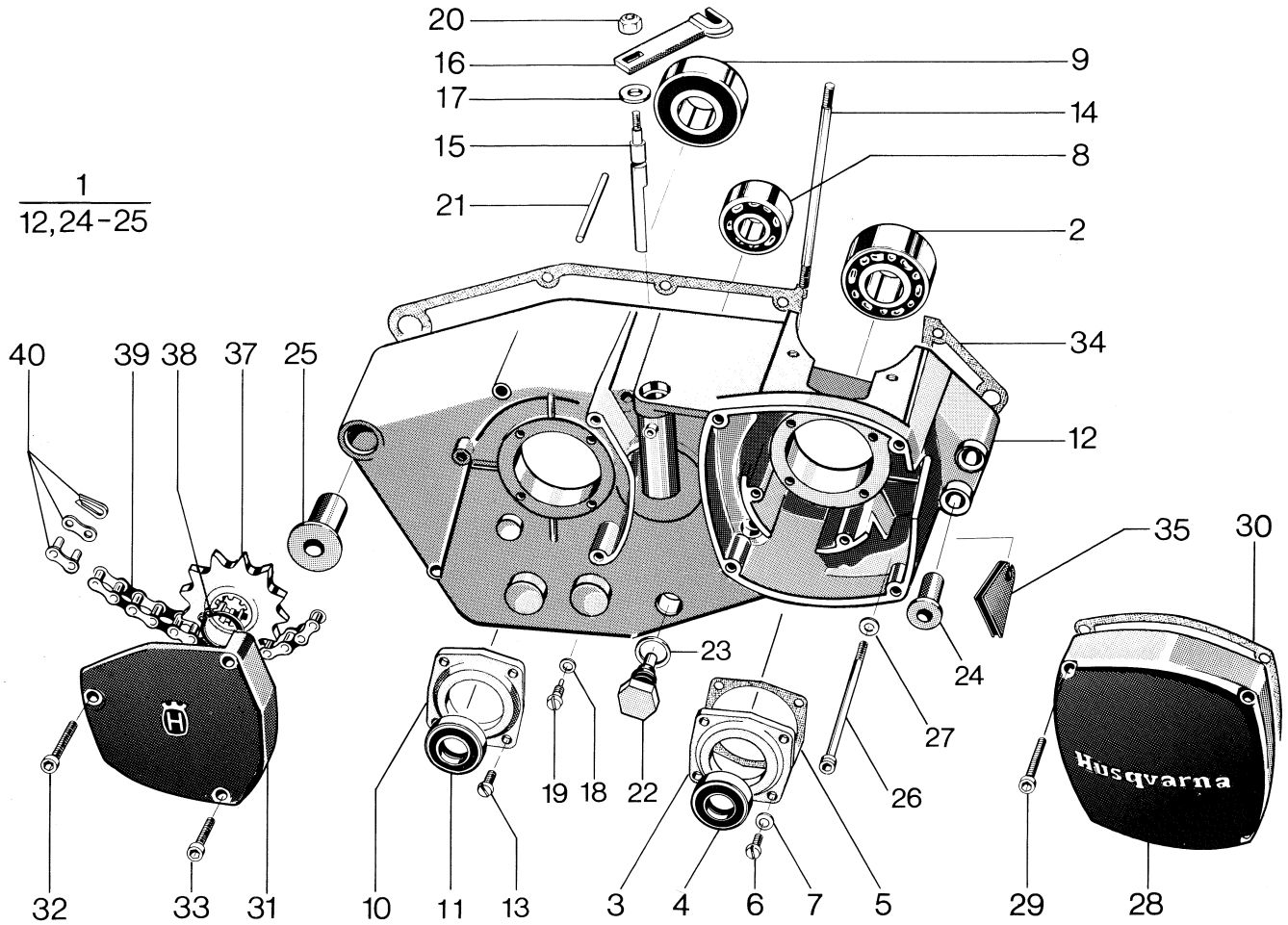
N	Fig.	Reservdel nr Spare part no.	ANTAL – QUANTITY														Benämning, Description	Not.				
			125		240		250			400		430		430 Aut.		500						
			WR	CR	WR	CR	EU WR	US WR	XC	WR	CR	WR	XC	EU	US	CR			XC			
	27	15 19 760-11		1		1				1			1						1	1	Drivkedja 5/8x1/4" 116 länk. Chain.	
		15 19 760-12																			Drivkedja 5/8x1/4" 118 länk. Chain.	
		15 17 760-06			1		1	1					1								Drivkedja O-ring 5/8x1/4" 116 länk. Chain O-ring.	
		15 17 760-07											1								Drivkedja O-ring 5/8x1/4" 118 länk. Chain O-ring.	
N	28	15 19 769-04		1		1				1									1	1	Kedjelås. Chain lock.	
	29	16 11 667-03		1	1	1	1			1									1	1	Packning. Gasket.	
		16 11 667-02								1	1	1	1						1	1	Packning. Gasket.	
	30	16 11 883-04																	4		Dragbult. Cylinder stud.	
		16 11 710-01		4	4	4	4	4	4	4	4	4	4						4		Dragbult. Cylinder stud.	
	31	725 53 76-01		1	1	1	1	1	1	1	1	1	1	1					1	1	Skruv M6x36. Screw.	
	32	16 14 728-01		1	1	1	1	1	1	1	1	1	1	1					1	1	Kabelgenomföring. Grommet.	
N	33	16 19 905-01		1	1	1	1	1	1	1											Packningssats. Gasket set.	
		16 19 864-01																	1	1	Packningssats. Gasket set.	
N		16 19 703-01								1											Packningssats. Gasket set.	
N		16 19 891-01									1	1	1								Packningssats. Gasket set.	
	34	735 31 26-00		1	1	1	1	1	1	1	1	1	1						1	1	Låsring. Circlip.	
	35	16 12 353-01		1	1	1	1	1	1	1	1	1	1						1	1	Distans Spacer.	

1
12,24-25

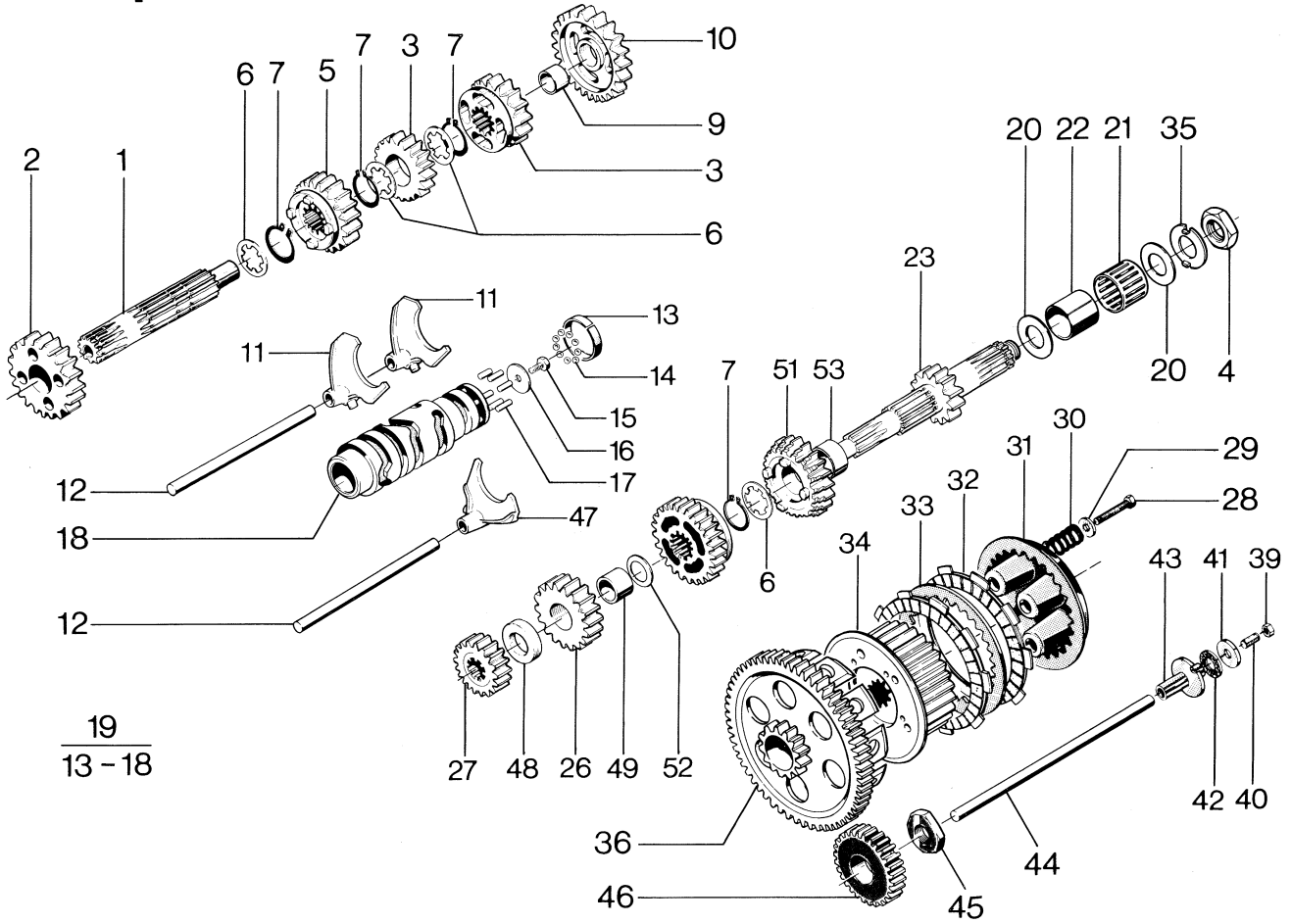


N	Fig.	Reservdel nr Spare part no.	ANTAL - QUANTITY																Benämning, Description	Not.	
			125			240			250			400		430		430 Aut.		500			
			WR	CR	WR	CR	EU WR	US WR	XC	WR	CR	WR	XC	EU	US	CR	XC				
1	16 19 690-01	1																Vevhushalva, höger. Crankcase half right.			
	16 19 692-01	1																Vevhushalvor par. Crankcase halves pair.			
2	738 32 04-40	1																Kullager. Ball bearing.			
3	16 10 679-01	1																Fläns. Flange.			
4	16 10 681-01	1																Tätning. Seal.			
5	12 25 360-01	1																Packning. Gasket.			
6	723 13 28-51	4																Skruv M5x14. Screw.			
7	735 11 46-50	4																Fjäderbricka. Washer.			
8	738 23 02-40	1																Kullager. Ball bearing.			
9	16 16 351-01	1																Kullager. Ball bearing.			
10	16 11 778-01	1																Fläns. Flange.			
11	16 12 353-01	1																Distans. Spacer.			
13	723 53 28-55	4																Skruv M5x14. Screw.			
14	16 11 546-02	4																Dragbult, cylinder. Cylinder stud.			
15	16 10 774-01	1																Frikopplingsaxel. Declutching shaft.			
16	16 11 171-01	1																Hävarm. Lever.			
17	15 13 722-01	1																Tätning. Seal.			
18	734 48 78-00	1																Bricka. Washer.			
19	12 25 077-01	1																Stoppskruv. Screw.			
20	732 21 18-01	1																Låsmutter M8. Nut.			
21	721 13 50-40	1																Pinne. Pin.			
22	16 12 537-01	1																Magnetplugg. Magneto plug.			
23	12 25 025-01	1																Packning. Gasket.			
24	16 10 777-01	2																Flänsbussning. Flange sleeve.			
25	16 14 589-01	1																Flänsbussning. Flange sleeve.			
26	725 53 85-01	9																Skruv M6x75. Screw.			
27	734 11 53-01	9																Bricka 6.4x12.5. Washer.			
28	16 10 647-01	1																Magnetkåpa. Magneto cover.			
29	725 53 78-01	4																Skruv M6x40. Screw.			
30	16 11 623-01	1																Packning. Gasket.			
31	16 11 560-02	1																Kåpa. Cover.			
32	725 53 80-01	1																Skruv M6x50. Screw.			
33	725 53 76-01	2																Skruv M6x35. Screw.			

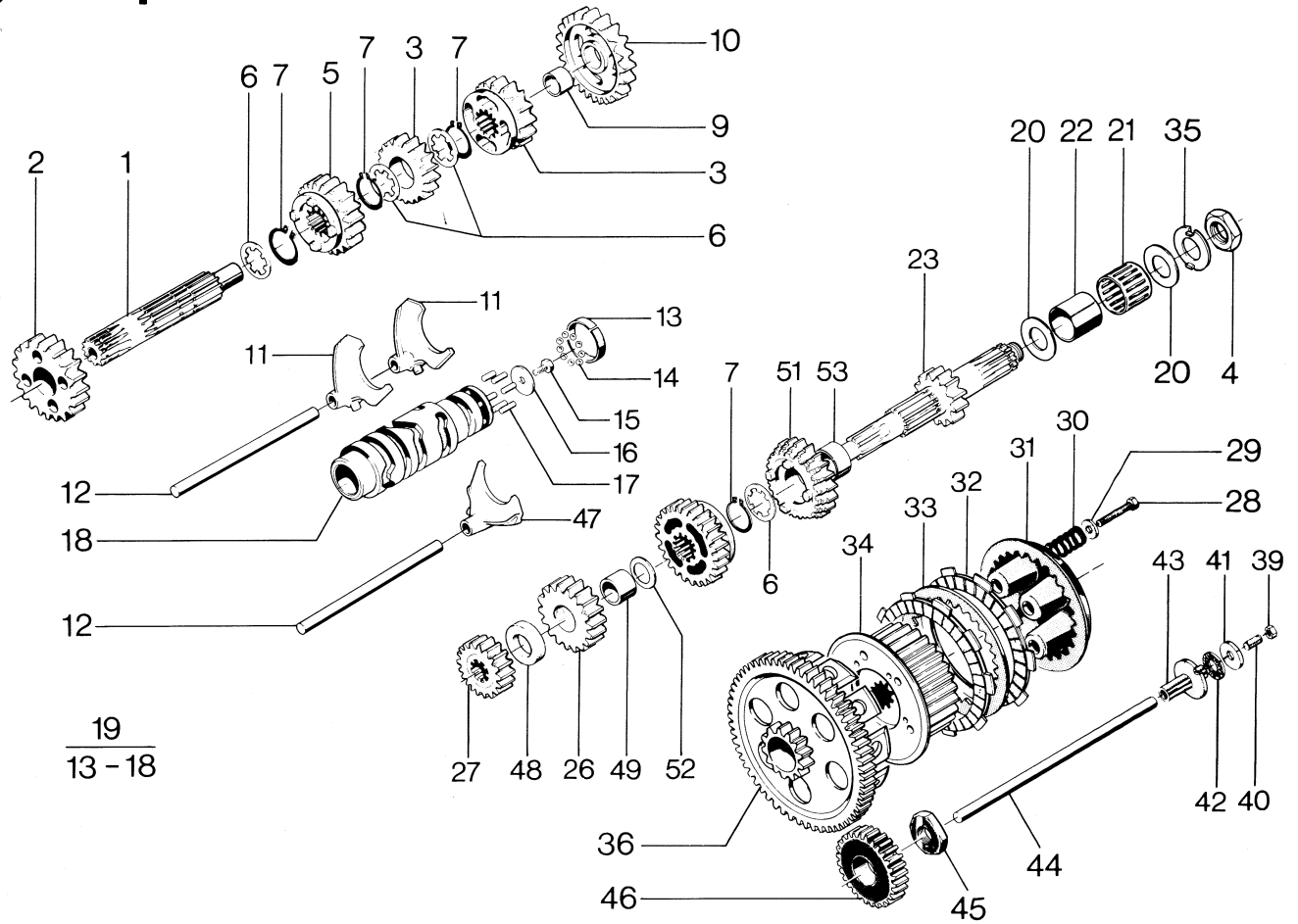
1
12,24-25



N	Fig.	Reservdel nr Spare part no.	ANTAL – QUANTITY														Benämning, Description	Not.		
			125		240		250				400		430		430 Aut.				500	
			WR	CR	WR	CR	EU WR	US WR	XC	WR	CR	WR	XC	EU	US	CR			XC	
	34	16 11 641-01	1																Vevhuspackning. Gasket.	
	35	16 14 728-01	1																Genomföring. Grommet.	
	37	16 12 693-04	1																Kedjedrev z = 13. Sprocket.	
	38	735 31 26-00	1																Spärring. Circlip.	
	39	15 17 760-07	1																Kedja O-ring 5/8x1/4 118. Chain O-ring.	
	40	15 19 759-04																	Kedjelås. Master link.	
		16 12 693-01																	Kedjedrev. Front sprocket.	
		16 12 693-02																	z = 10	
		16 12 693-03																	z = 11	
		16 12 693-05																	z = 12	
		16 12 693-06																	z = 14	
		16 12 693-07																	z = 15	
		16 12 693-08																	z = 16	
		16 12 693-08																	z = 17	
		16 19 852-01																	Packningsatts. Gasket set.	

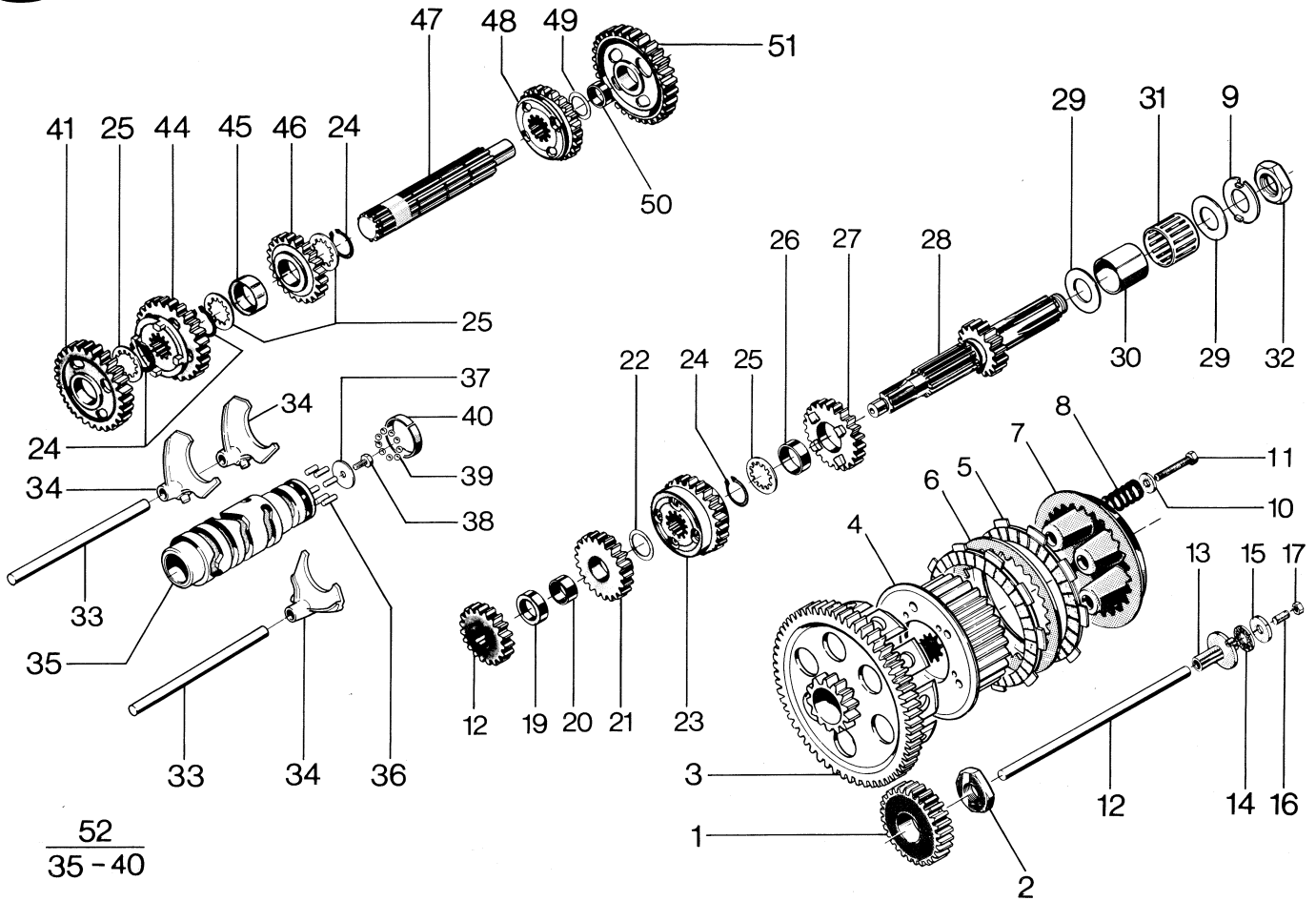


N	Fig.	Reservdel nr Spare part no.	ANTAL – QUANTITY														Benämning, Description	Not.		
			125		240		250				400		430		430 Aut.				500	
			WR	CR	WR	CR	EU WR	US WR	XC	WR	CR	WR	XC	EU	US	CR			XC	
	1	16 16 026-01															1	Hjälpxaxel. Auxiliary shaft.		
	2	16 16 022-01															1	Kuggghjul 2:an. Gearwheel z=26.		
	3	16 16 024-01															1	Kuggghjul 5:an. Gearwheel z=22.		
N	4	16 14 413-01															5	Mutter. Nut.		
	5	16 16 023-01															1	Kuggghjul 4:an. Gearwheel z=24.		
	6	16 11 717-01															4	Stödbricka. Support washer.		
	7	735 31 26-00															5	Spärring. Circlip.		
	8	16 16 025-01															1	Kuggghjul 3:an. Gearwheel z=20.		
	9	16 12 415-01															1	Lagerhylsa. Bearing sleeve.		
	10	16 16 021-01															1	Kuggghjul 1:an. Gearwheel z=29.		
	11	16 12 384-01															2	Växelförare. Shiftfork.		
	12	16 11 699-01															2	Axel. Shaft.		
	13	16 12 699-01															1	Kulbana. Outer race.		
	14	738 61 20-03															11	Kula. Ball.		
	15	725 23 64-86															1	Skruv M6x10. Screw.		
	16	15 13 709-01															1	Bricka. Washer.		
	17	720 12 68-50															6	Pinne. Pin.		
	19	16 16 354-01															1	Kulissrulle kpl. Linkroller compl.		
N	20	16 14 405-01															2	Bricka. Washer.		
	21	16 11 671-01															1	Nållager. Needle bearing.		
N	22	16 14 388-01															1	Innerring. Bearing sleeve.		
	23	16 14 420-01															1	Huvudaxel. Mainshaft z=16.		
	24	16 12 381-01															1	Lagringshylsa. Bearing sleeve.		
	25	16 16 020															1	Kuggghjul 3:an. Gearwheel z=27.		
N	26	16 16 037-01															1	Kuggghjul 4:an. Gearwheel z=22.		
	27	16 16 017-01															1	Kuggghjul 2:an. Gearwheel z=19.		
	28	725 23 72-51															5	Skruv M6x25. Screw.		
	29	734 49 26-01															5	Bricka. Washer.		
N	30	16 14 406-01															5	Kopplingsfjäder. Clutch spring.		
N	31	16 14 416-01															1	Tryckskiva. Pressure plate.		
N	32	16 14 408-01															8	Lamell m. belägg. Disc with lining.		
N	33	16 14 409-01															7	Lamell. Disc.		



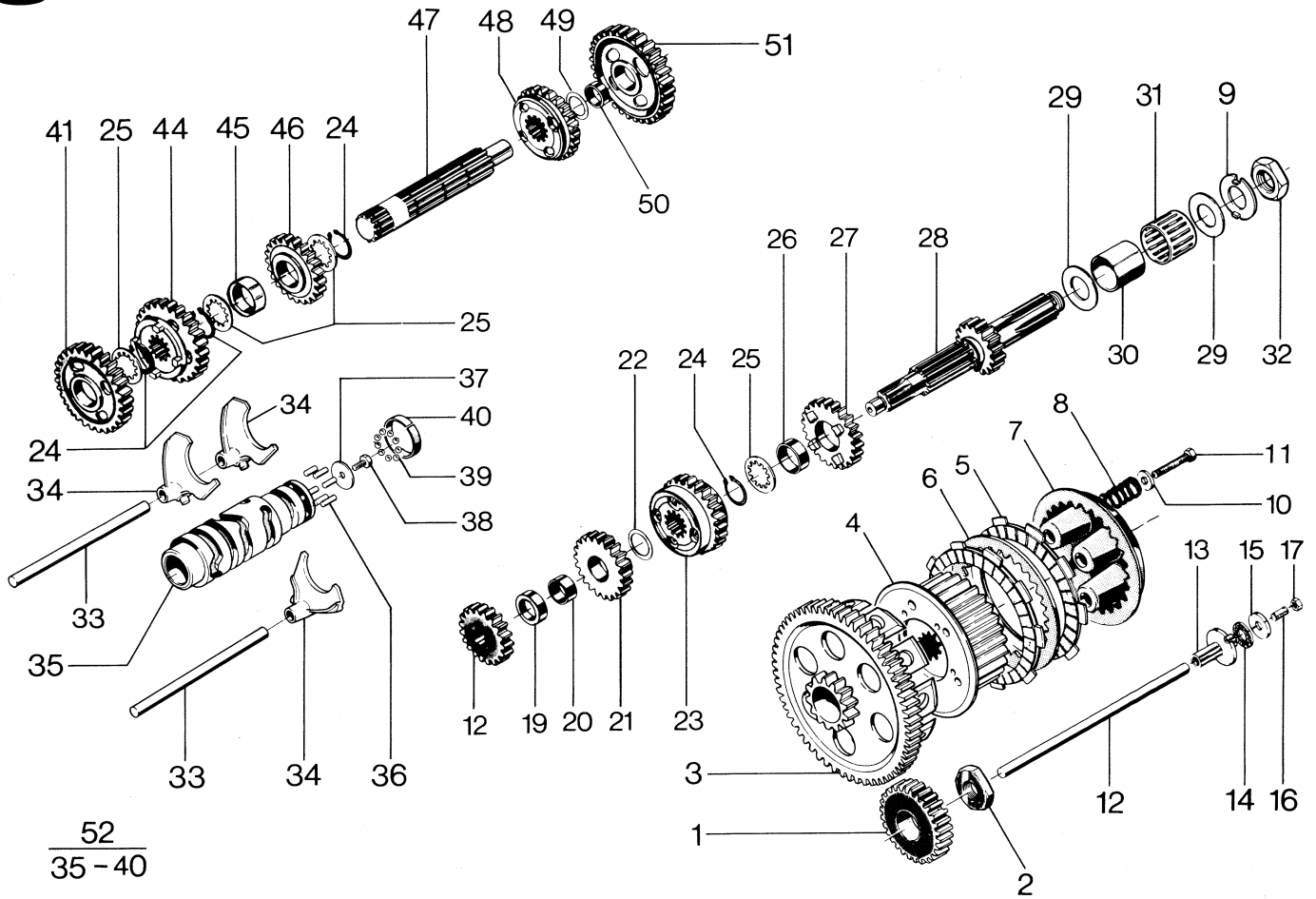
19
13 - 18

N	Fig.	Reservdel nr Spare part no.	ANTAL - QUANTITY														Benämning, Description	Not.	
			125		240		250			400		430		430 Aut.		500			
			WR	CR	WR	CR	EU WR	US WR	XC	WR	CR	WR	XC	EU	US	CR			XC
N	34	16 14 404-01															1	Kopplingscentrum. Clutch hub.	
N	35	16 14 412-01															1	Vikbricka. Lockwasher.	
N	36	16 14 403-01															1	Kopplingskorg. Clutch ring.	
	39	15 13 703-01															1	Mutter M6. Nut.	
	40	728 53 70-00															1	Skruv M6. Screw.	
	41	16 11 167-01															1	Bricka. Washer.	
	42	16 11 166-01															1	Axiallager. Bearing.	
	43	16 11 170-01															1	Axeldel. Shaft.	
	44	16 15 315-01															1	Tryckstång. Push rod.	
	45	16 11 101-01															1	Mutter. Nut.	
	46	16 11 075-01															1	Drivhjul. Drive gear.	
	47	16 16 015-01															1	Växelförare. Shiftfork.	
	48	16 16 027-01															1	Distans. Spacer.	
	49	16 16 360-01															1	Lagerhylsa. Bearing sleeve.	
	50	16 16 361-01															1	Lagerhylsa. Bearing sleeve.	
	51	16 16 019-01															1	Kugghjul 5:an. Gearwheel z=25.	
	52	16 12 842-01															1	Bricka. Washer.	
	53	16 16 361-01															1	Lagerhylsa. Bearing sleeve.	



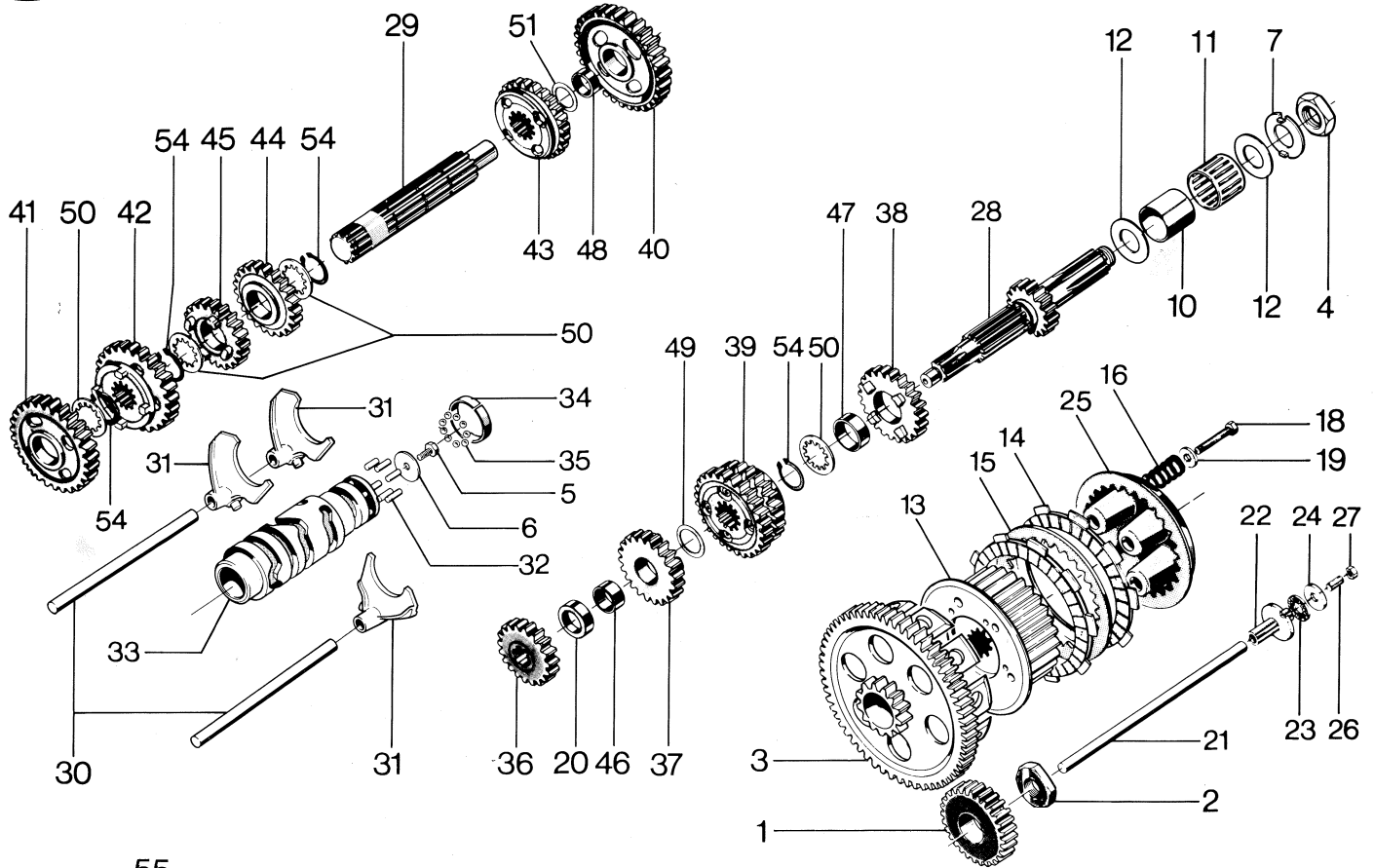
52
35 - 40

N	Fig.	Reservdel nr Spare part no.	ANTAL - QUANTITY																Benämning, Description	Not.
			125		240		250			400		430		430 Aut.		500				
			WR	CR	WR	CR	EU WR	US WR	XC	WR	CR	WR	XC	EU	US	CR	XC			
	1	16 11 178-01		1		1												Drivhjul. Driving gear.		
	2	16 11 101-01		1		1												Mutter. Nut.		
	3	16 14 402-01		1		1												Kopplingskrans. Gear wheel clutch.		
	4	16 14 404-02		1		1												Kopplingscentrum. Clutch hub.		
	5	16 14 408-01		8		8												Lamell m. belägg. Disc with lining.		
	6	16 14 409-01		7		7												Lamell. Disc.		
N	7	16 14 416-01		1		1												Tryckplatta. Pressure plate.		
N	8	16 14 407-01		5		5												Fjäder. Spring.		
N	9	16 14 412-01		1		1												Vikbricka. Lock washer.		
	10	734 49 26-01		5		5												Bricka. Washer.		
	11	725 23 72-51		5		5												Skruv M6x25. Screw.		
	12	16 15 315-01		1		1												Tryckstång. Push rod.		
	13	16 11 170-01		1		1												Axeldel. Shaft.		
	14	16 11 166-01		1		1												Axiallager. Bearing.		
	15	16 11 167-01		1		1												Axialbricka. Washer.		
	16	728 53 70-00		1		1												Skruv M6x20. Screw.		
	17	15 13 703-01		1		1												Mutter. Nut.		
	18	16 12 352-01		1		1												Kugghjul 2:an. Gear wheel.		
	19	16 12 481-01		1		1												Distans. Spacer.		
	20	16 12 480-01		1		1												Lagerhylsa. Sleeve.		
	21	16 11 703-01		1		1												Kugghjul 3:an. Gear wheel.		
	22	16 12 842-01		1		1												Bricka. Washer.		
	23	16 14 595-01		1		1												Kugghjul 5:an. Gear wheel.		
	24	735 31 26-00		5		5												Spärring. Circlip.		
	25	16 11 717-01		4		4												Stödbricka. Washer.		
	26	16 12 418-01		1		1												Lagerhylsa. Sleeve.		
	27	16 11 837-01		1		1												Kugghjul 4:an. Gear wheel.		
N	28	16 14 418-01		1		1												Huvudaxel. Mainshaft.		
N	29	16 14 405-01		2		2												Bricka. Washer.		
N	30	16 14 388-01		1		1												Innerring. Sleeve.		
	31	16 11 671-01		1		1												Nållager. Needle bearing.		
N	32	16 14 413-01		1		1												Mutter. Nut.		
	33	16 11 699-01		2		2												Axel. Shaft.		
	34	16 12 384-01		3		3												Växelförare. Shaft fork.		



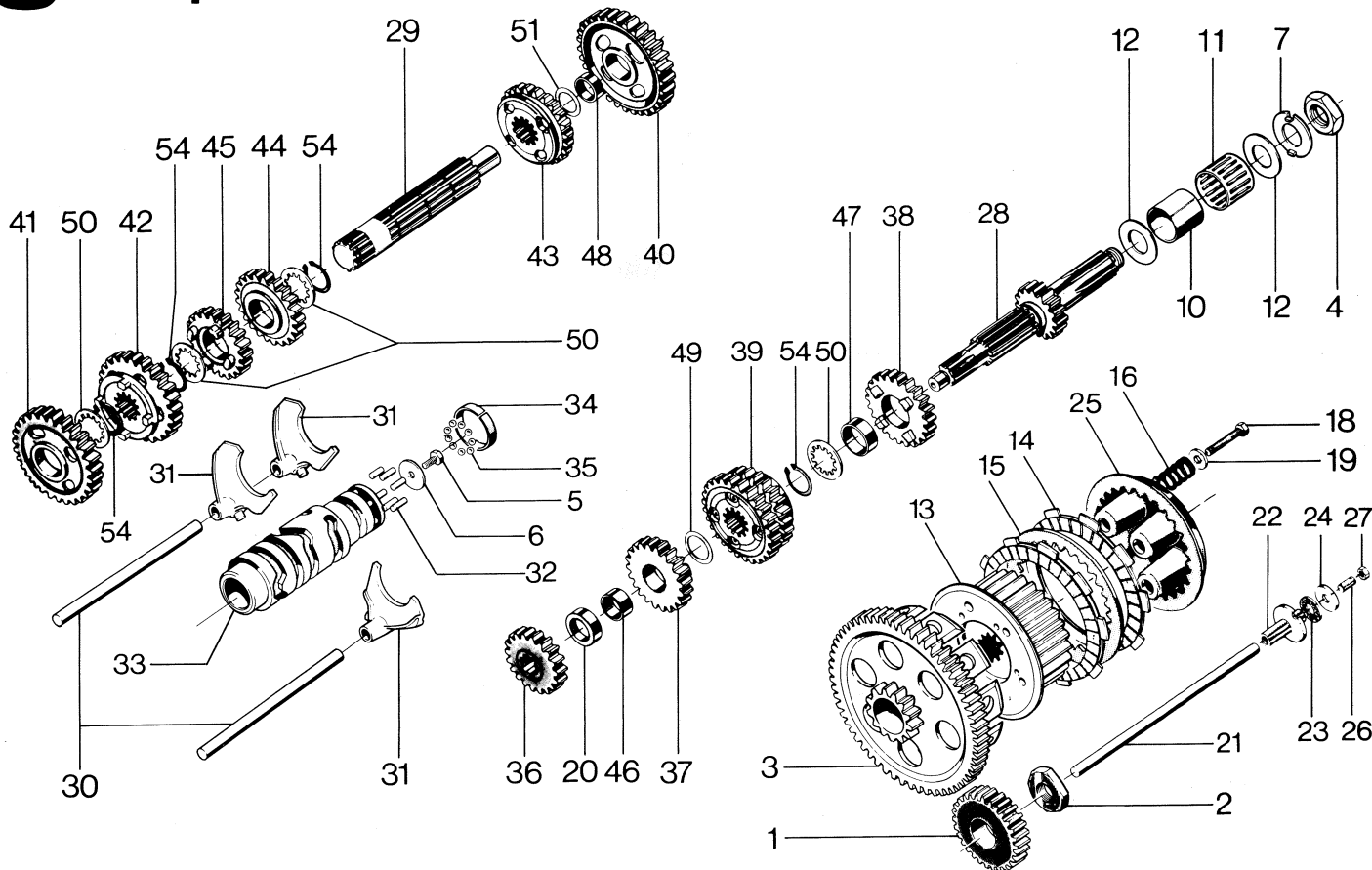
52
35 - 40

N	Fig.	Reservdel nr Spare part no.	ANTAL - QUANTITY																Benämning, Description	Not.
			125		240		250			400		430		430 Aut.		500				
			WR	CR	WR	CR	EU WR	US WR	XC	WR	CR	WR	XC	EU	US	CR	XC			
36	720 12 68-50			6		6												Pinne. Pin.		
37	15 13 709-01			1		1												Bricka. Washer.		
38	725 23 64-86			1		1												Skruv M6x10. Screw.		
39	738 61 20-03					11		11										Kula. Ball.		
40	16 12 699-01					1		1										Kulbana. Race.		
41	16 12 354-01					1		1										Kuggjul 2.an. Gear wheel.		
44	16 12 385-01					1		1										Kuggjul 3.an. Gear wheel.		
45	16 14 594-01					1		1										Distans. Spacer.		
46	16 11 715-01					1		1										Kuggjul 5.an. Gear wheel.		
47	16 12 350-01					1		1										Hjälpaxel. Auxiliary shaft.		
48	16 12 388-01					1		1										Kuggjul 4.an. Gear wheel.		
49	15 13 714-01					1		1										Bricka. Washer.		
50	16 12 415-01					1		1										Lagerhylsa. Sleeve.		
51	16 16 003-01					1		1										Kuggjul 1.an. Gear wheel.		
52	16 14 596-01					1		1										Kulissrulle kpl. Shift drum.		



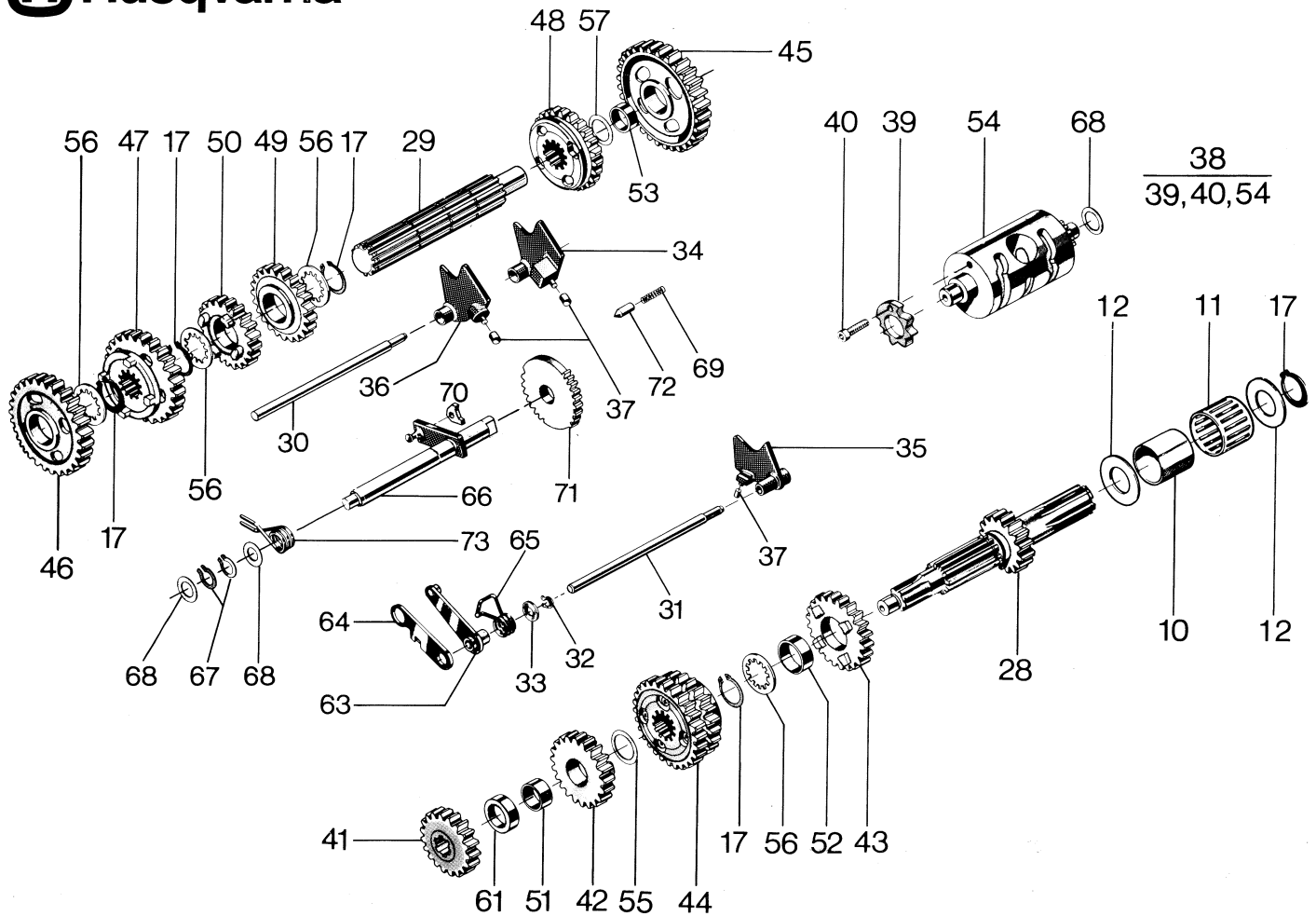
55
5,6,32-35

N	Fig.	Reservdel nr Spare part no.	ANTAL - QUANTITY														Benämning, Description	Not.			
			125		240		250				400		430		430 Aut.				500		
			WR	CR	WR	CR	EU WR	US WR	XC	WR	CR	WR	XC	EU	US	CR			XC		
	1	16 11 178-01 16 11 075-01 16 16 029-01			1		1	1	1										1	Drivhjul. Driving gear.	
	2	16 11 101-01			1		1	1	1	1									1	Mutter. Nut.	
N	3	16 14 402-01			1		1	1	1										1	Kopplingskrans. Gearwheel.	
N		16 14 403-01								1									1	Kopplingskrans. Gearwheel.	
N		16 16 028-01																	1	Kopplingskrans. Gearwheel.	
N	4	16 14 413-01			1		1	1	1	1									1	Mutter. Nut.	
	5	725 23 64-86			1		1	1	1	1									1	Skruv M6x10. Screw.	
	6	15 13 709-01			1		1	1	1	1									1	Bricka. Washer.	
N	7	16 14 412-01			1		1	1	1	1									1	Vikbricka. Lockwasher.	
N	10	16 14 388-01			1		1	1	1	1									1	Innerring. Internal ring.	
	11	16 11 671-01			1		1	1	1	1									1	Nålhållare. Needle ring.	
N	12	16 14 405-01			2		2	2	2	2									2	Bricka. Washer.	
N	13	16 14 404-01								1									1	Kopplingscentrum. Clutch hub.	
		16 14 404-02			1		1	1	1										1	Kopplingscentrum. Clutch hub.	
N	14	16 14 408-01			8		8	8	8	8									8	Lamell m. belägg. Disc.	
N	15	16 14 409-01			7		7	7	7	7									7	Lamell. Disc.	
N	16	16 14 407-01			5		5	5	5										5	Kopplingsfjäder. Clutch spring.	
		16 14 406-01								5									5	Kopplingsfjäder. Clutch spring.	
	17	16 11 169-01			5		5	5	5	5									5	Distanshylsa. Distance sleeve.	
	18	725 23 72-51			5		5	5	5	5									5	Skruv M6x25. Screw.	
	19	734 49 26-01			5		5	5	5	5									5	Bricka. Washer.	
	20	16 12 481-01			1		1	1	1	1									1	Distans. Spacer.	
	21	16 15 315-01			1		1	1	1	1									1	Tryckstång. Push rod.	
	22	16 11 170-01			1		1	1	1	1									1	Axeldel. Shaft.	
	23	16 11 166-01			1		1	1	1	1									1	Axiallager. Axial bearing.	
	24	16 11 167-01			1		1	1	1	1									1	Axialbricka. Axial washer.	
	25	16 11 168-02			1		1	1	1	1									1	Tryckskiva. Pressure plate.	
	26	728 53 70-00			1		1	1	1	1									1	Skruv. Screw.	

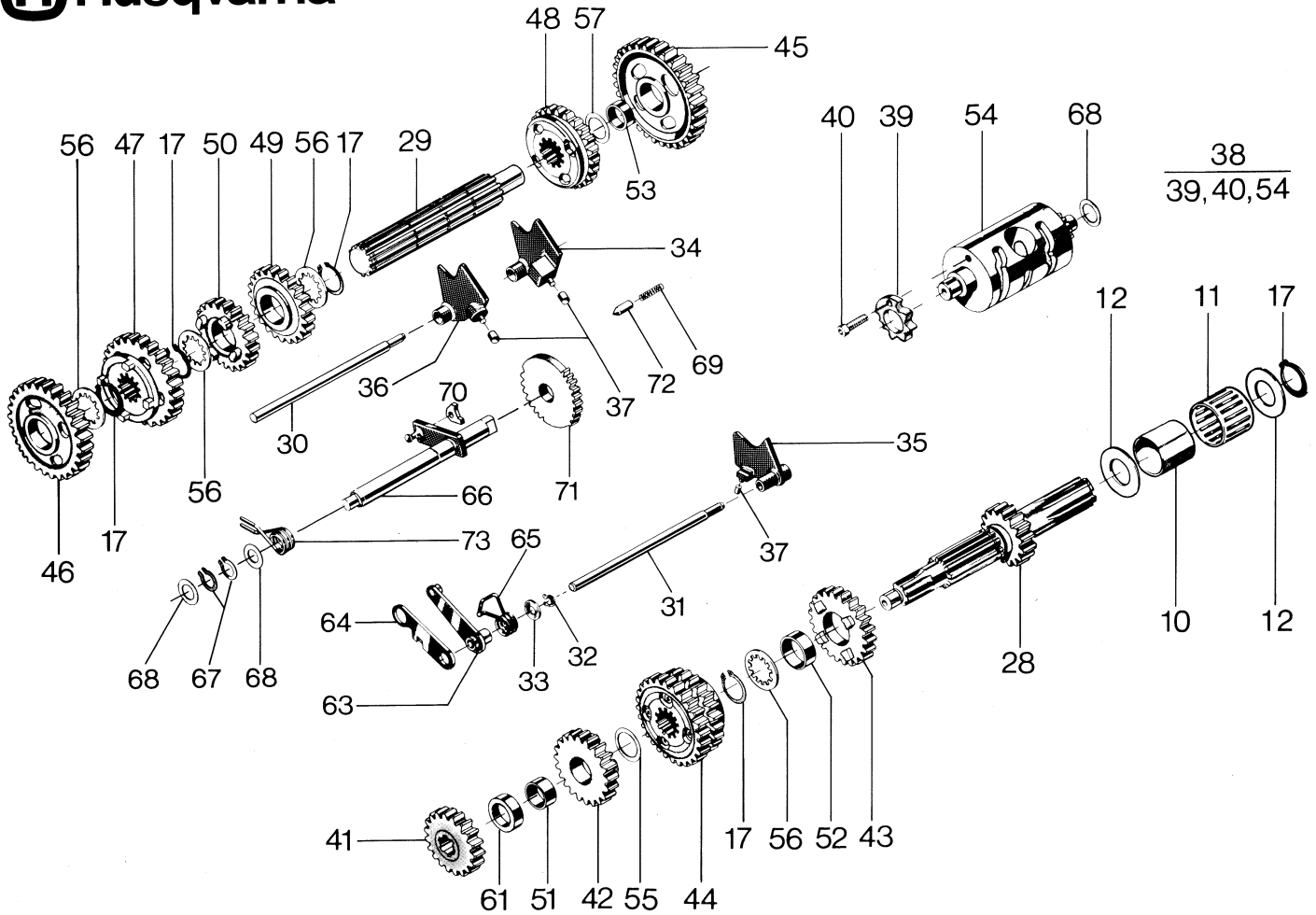


55
5,6,32-35

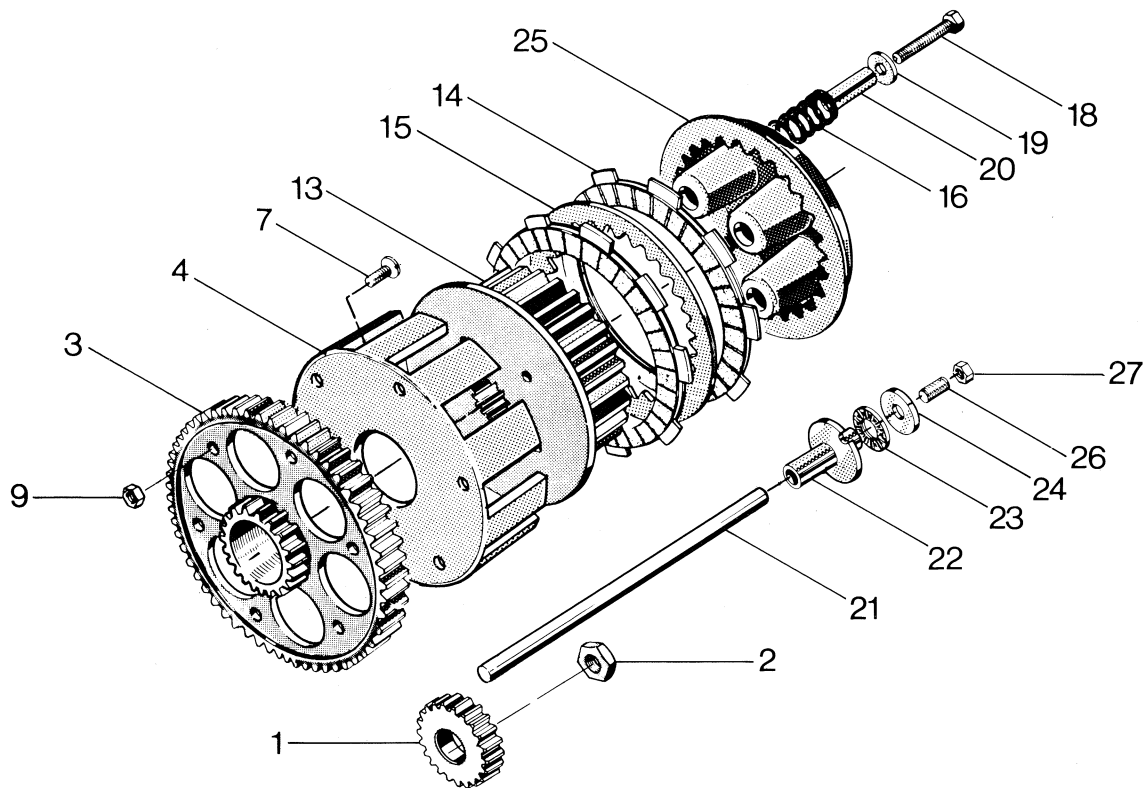
N	Fig.	Reservdel nr Spare part no.	ANTAL - QUANTITY														Benämning, Description	Not.		
			125		240		250			400		430		430 Aut.		500				
			WR	CR	WR	CR	EU	US	XC	WR	CR	WR	XC	EU	US	CR			XC	
N N	27	731 23 16-55					1		1	1	1							1	Mutter. Nut.	
	28	16 14 419-01 16 14 421-01					1		1	1	1							1	Huvudaxel. Clutch shaft.	
	29	16 12 350-01					1		1	1	1							1	Hjälpxaxel. Sprocket shaft.	
	30	16 11 699-01					2		2	2	2							2	Axel. Shaft.	
	31	16 12 384-01					3		3	3	3							3	Växelförare. Gear striker.	
	32	720 12 68-50					6		6	6	6							6	Pinne. Pin.	
	34	16 12 699-01					1		1	1	1							1	Kulbana. Outer race.	
	35	738 61 20-03					11		11	11	11							11	Kula. Ball.	
	36	16 12 362-01 16 12 351-01							1	1	1							1	Kuggghjul 2:an. Huvudaxel. Gearwheel.	
	37	16 12 363-01 16 12 349-01							1	1	1							1	Kuggghjul 2:an. Huvudaxel. Gearwheel.	
	38	16 11 837-01							1	1	1							1	Kuggghjul 3:an. Huvudaxel. Gearwheel.	
	39	16 12 390-01							1	1	1							1	Kuggghjul 3:an. Huvudaxel. Gearwheel.	
	40	16 12 361-01 16 12 346-01							1	1	1							1	Kuggghjul 4:an. Huvudaxel. Gearwheel.	
	41	16 12 365-01 16 12 347-01							1	1	1							1	Kuggghjul 5:an-6:an. Huvudaxel. Gearwheel.	
	42	16 12 386-01 16 12 387-01							1	1	1							1	Kuggghjul 1:an. Hjälpxaxel. Gearwheel.	
	43	16 12 388-01							1	1	1							1	Kuggghjul 2:an. Hjälpxaxel. Gearwheel.	
	44	16 11 715-01							1	1	1							1	Kuggghjul 2:an. Hjälpxaxel. Gearwheel.	
	45	16 12 357-01							1	1	1							1	Kuggghjul 3:an. Hjälpxaxel. Gearwheel.	
	46	16 12 480-01							1	1	1							1	Kuggghjul 3:an. Hjälpxaxel. Gearwheel.	
	47	16 12 418-01							1	1	1							1	Kuggghjul 4:an. Hjälpxaxel. Gearwheel.	
	48	16 12 415-01							1	1	1							1	Kuggghjul 4:an. Hjälpxaxel. Gearwheel.	
	49	16 12 842-01							1	1	1							1	Kuggghjul 5:an. Hjälpxaxel. Gearwheel.	
	50	16 11 717-01							4	4	4							4	Kuggghjul 6:an. Hjälpxaxel. Gearwheel.	
	51	15 13 714-01							1	1	1							1	Lagerhylsa 3:an Huvudaxel. Sleeve.	
	53	16 12 481-01							1	1	1							1	Lagerhylsa 4:an Huvudaxel. Sleeve.	
	54	735 31 26-00							5	5	5							5	Lagerhylsa 1:an Hjälpxaxel. Sleeve.	
	55	16 11 701-01							1	1	1							1	Stödbricka. Washer.	



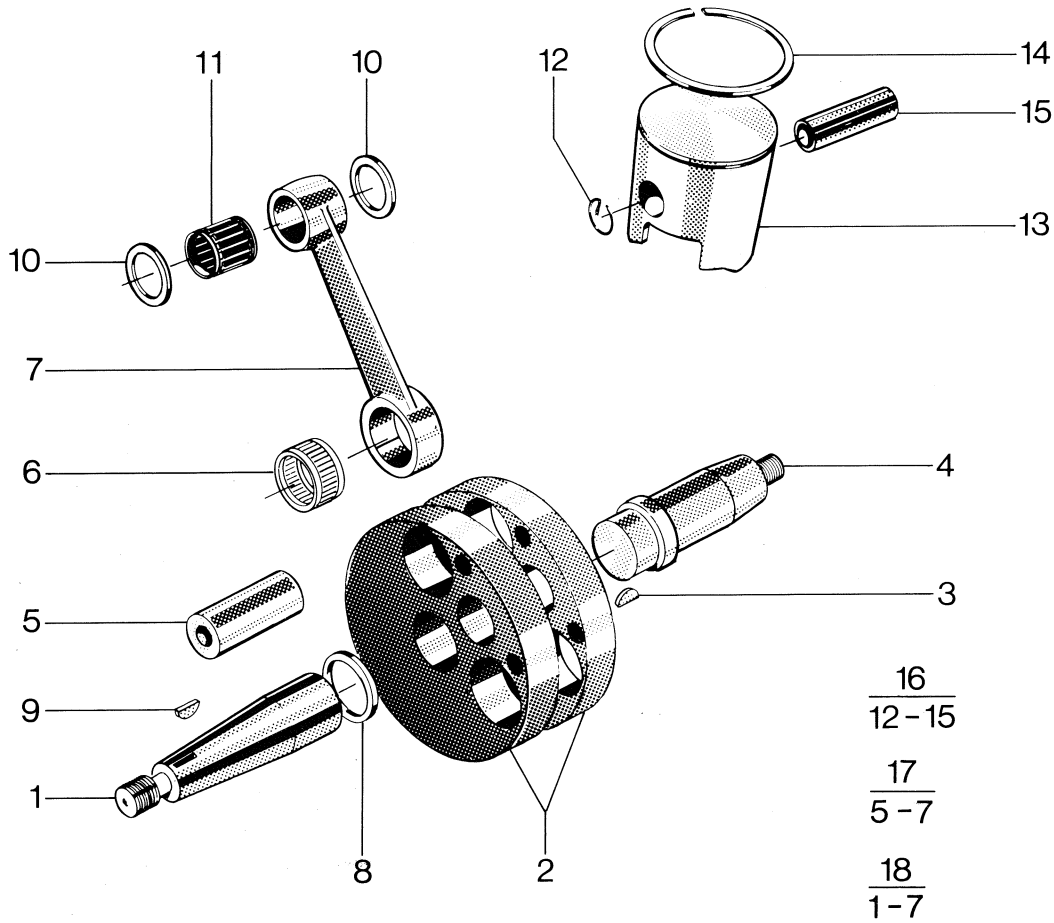
N	Fig.	Reservdel nr Spare part no.	ANTAL - QUANTITY														Benämning, Description	Not.	
			125		240		250			400		430		430 Aut.		500			
			WR	CR	WR	CR	EU WR	US WR	XC	WR	CR	WR	XC	EU	US	CR			XC
10		16 11 670-01	1															Innerring. Internal ring.	
11		16 11 671-01	1															Nållager. Needle bearing.	
12		16 11 155-01	2															Bricka. Washer.	
17		735 31 26-00	4															Spärring. Circlip.	
28		16 12 345-01	1															Huvudaxel z = 14. Clutch shaft.	
29		16 11 280-01	1															Hjälpxaxel. Sprocket shaft.	
30		16 12 843-01	1															Axel. Shaft.	
31		16 12 484-01	1															Axel. Shaft.	
32		735 31 12-00	1															Spärring. Circlip.	
33		16 12 485-01	1															Bricka. Washer.	
34		16 11 082-01	1															Växelförare kpl. 1-5. Gear striker.	
35		16 11 081-01	1															Växelförare kpl. 3-4. Gear striker.	
36		16 11 080-01	1															Växelförare kpl. 6-2. Gear striker.	
37		16 12 424-01	1															Ledrulle. Guide roller.	
38		16 12 486-01	1															Kulissrulle kpl. Linkroller compl.	
39		16 12 488-01	1															Spärrhjul. Ratchet wheel.	
40		725 53 66-06	1															Skruv M6x12. Screw.	
41		16 12 351-01	1															Kuggghjul 2:an z = 17. Gear wheel.	
42		16 12 349-01	1															Kuggghjul 3:an z = 20. Gear wheel.	
43		16 11 837-01	1															Kuggghjul 4:an z = 23. Gear wheel.	
44		16 12 390-01	1															Kuggghjul 5-6:an z = 25,27. Gear wheel.	
45		16 12 346-01	1															Kuggghjul 1:an z = 33. Gear wheel.	
46		16 12 347-01	1															Kuggghjul 2:an z = 29. Gear wheel.	
47		16 12 387-01	1															Kuggghjul 3:an z = 26. Gear wheel.	
48		16 12 388-01	1															Kuggghjul 4:an z = 24. Gear wheel.	
49		16 11 715-01	1															Kuggghjul 5:an z = 22. Gear wheel.	
50		16 12 357-01	1															Kuggghjul 6:an z = 20. Gear wheel.	
51		16 12 480-01	1															Lagerhylsa. Sleeve.	
52		16 12 418-01	1															Lagerhylsa. Sleeve.	
53		16 12 415-01	1															Lagerhylsa. Sleeve.	
56		16 11 717-01	4															Stöbricka. Washer.	
57		16 13 714-01	1															Stöbricka. Washer.	



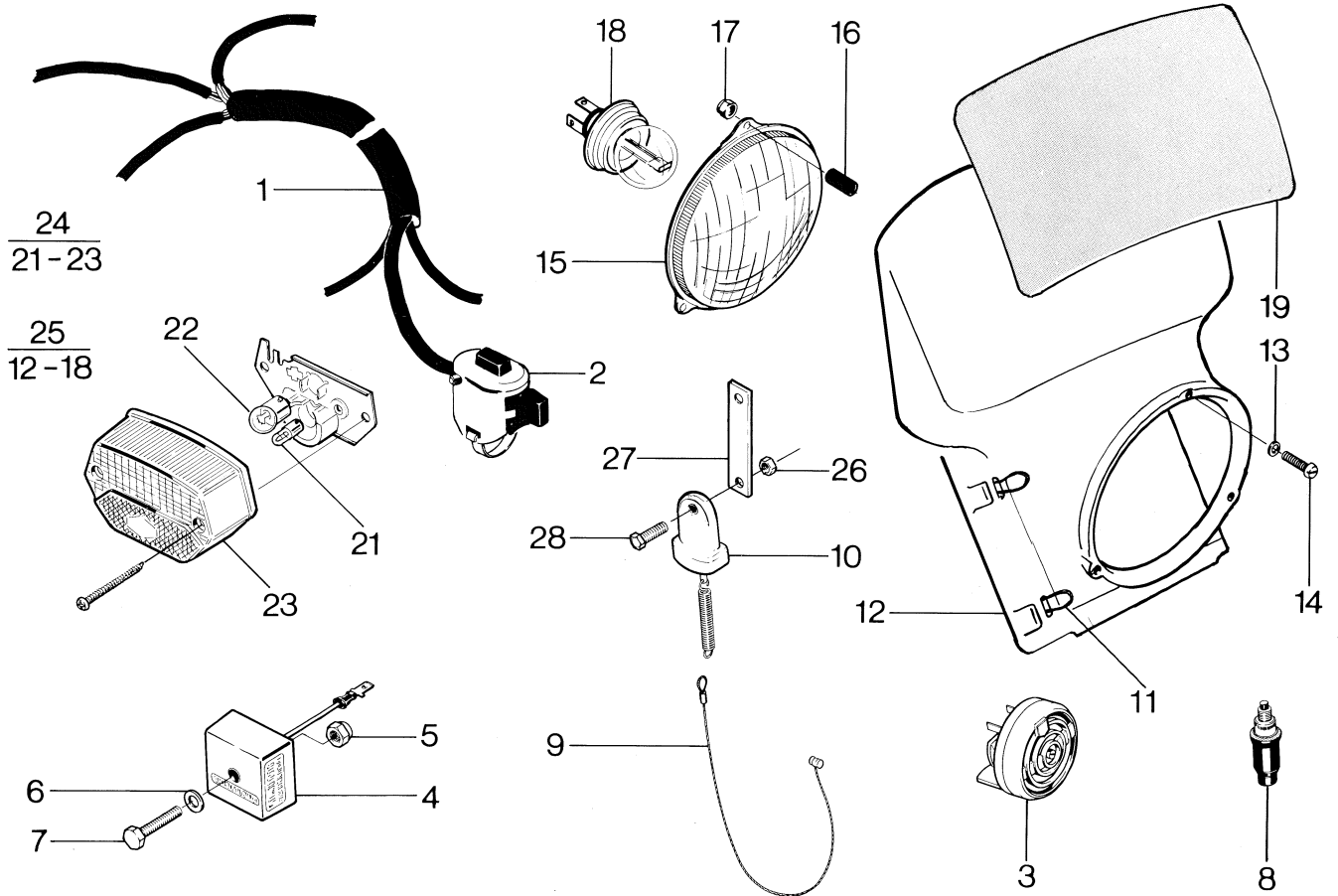
N	Fig.	Reservdel nr Spare part no.	ANTAL - QUANTITY																Benämning, Description	Not.			
			125			240			250			400			430			430 Aut.			500		
			WR	CR	WR	CR	EU WR	US WR	XC	WR	CR	WR	XC	EU	US	CR	XC						
61	16 12 481-01	1																	Distansring. Spacer.				
63	16 12 489-01	1																	Spärrarm. Ratchet arm.				
64	16 12 493-01	1																	Distansarm. Distance arm.				
65	16 12 494-01	1																	Fjäder. Spring.				
66	16 11 279-01	1																	Växlingsaxel. Gear shaft.				
67	735 31 17-00	2																	Spärring. Circlip.				
68	50 32 300-14	3																	Bricka. Washer.				
69	16 12 593-01	1																	Fjäder. Spring.				
70	16 12 895-01	1																	Medbringare. Pawl.				
71	16 12 870-01	1																	Stegmatare. Stepfeder.				
72	16 12 455-01	1																	Spärrhylsa. Ratchet sleeve.				
73	16 12 594-01	1																	Fjäder. Spring.				



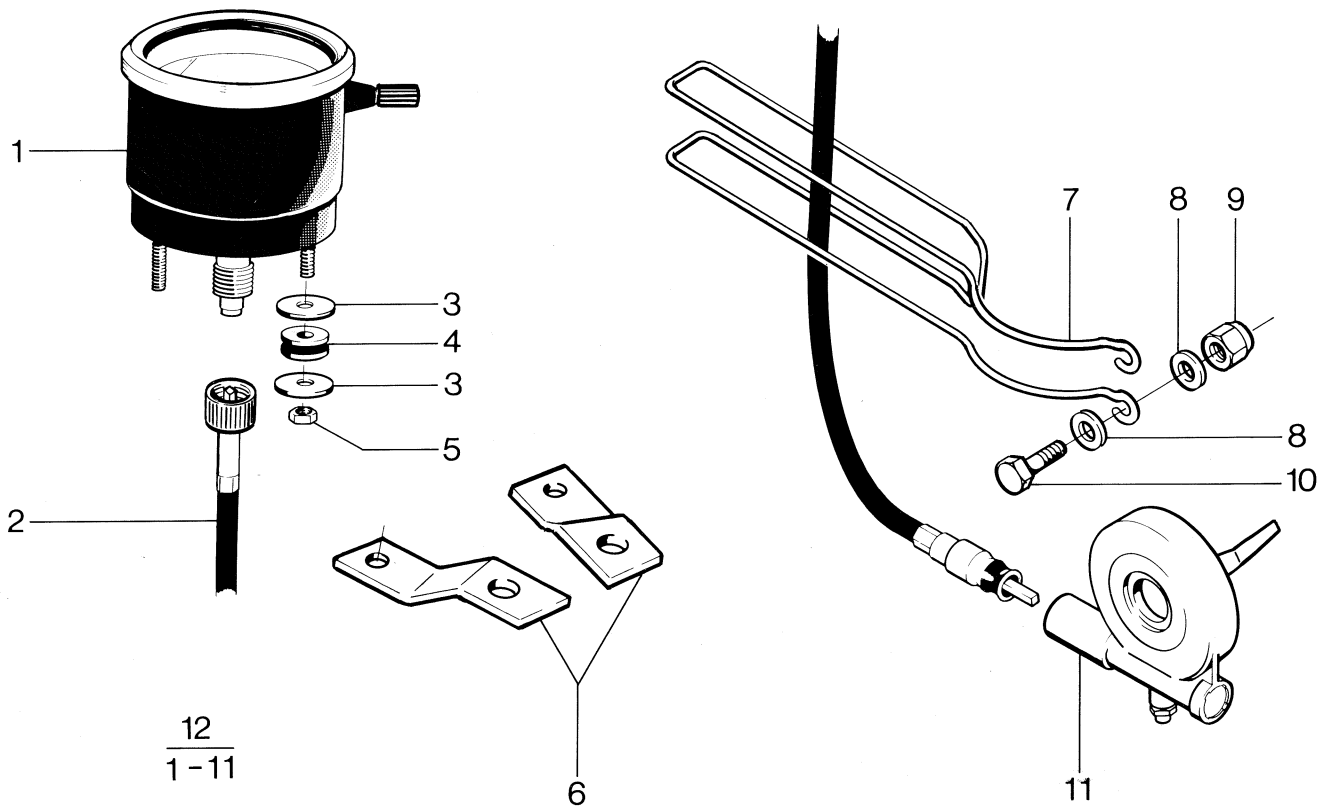
N	Fig.	Reservdel nr Spare part no.	ANTAL – QUANTITY														Benämning, Description	Not.	
			125		240		250			400		430		430 Aut.		500			
			WR	CR	WR	CR	EU WR	US WR	XC	WR	CR	WR	XC	EU	US	CR			XC
	1	16 11 174-01	1															Drivhjul z = 29. Driving gear.	
	2	16 11 175-01	1															Mutter. Nut.	
	3	16 11 283-01	1															Kopplingskrans. Clutch gear.	
	4	16 11 203-01	1															Kopplingskorg. Clutch ring.	
	7	725 63 67-55	6															Skruv M6x16. Screw.	
	9	731 23 16-55	6															Mutter. Nut.	
	13	16 11 156-01	1															Kopplingscentrum. Clutch hub.	
	14	16 15 106-01	7															Lamell m. belägg. Disc w. lining.	
	15	16 15 107-01	6															Lamell. Disc.	
	16	16 15 265-01	5															Kopplingsfjäder. Clutch spring.	
	18	725 23 78-71	5															Skruv M6x40. Screw.	
	19	734 49 26-01	5															Bricka. Washer.	
	20	16 11 169-01	5															Distanshylsa. Distance sleeve.	
	21	16 17 003-02	1															Tryckstång. Push rod.	
	22	16 11 170-01	1															Axelhylsa. Shaft sleeve.	
	23	16 11 166-01	1															Axiallager. Axial bearing.	
	24	16 11 167-01	1															Axialbricka. Axial washer.	
	25	16 11 168-01	1															Tryckskiva. Pressure plate.	
	26	788 53 70-00	1															Skruv TSS6x20. Screw.	
	27	15 13 703-01	1															Mutter M6. Nut.	



N	Fig.	Reservdel nr Spare part no.	ANTAL – QUANTITY														Benämning, Description	Not.			
			125		240		250				400		430		430 Aut.				500		
			WR	CR	WR	CR	EU WR	US WR	XC	WR	CR	WR	XC	EU	US	CR			XC		
	16	16 14 471-01											1	1	1	1	1			Kolv kpl. (Cyl Ø86.00). Piston compl.	
		16 14 471-02																		Kolv kpl. (Cyl Ø86.50). Piston compl.	
		16 14 471-03																		Kolv kpl. (Cyl Ø87.00). Piston compl.	
		16 14 520-01	1																	Kolv kpl. (Cyl Ø55.0). Piston compl.	
		16 14 520-02																		Kolv kpl. (Cyl Ø55.25). Piston compl.	
		16 14 520-03																		Kolv kpl. (Cyl Ø55.50). Piston compl.	
N		16 16 387-01				1	1	1	1											Kolv kpl. (Cyl Ø66.50). Piston compl.	
		16 16 412-01				1														Kolv kpl. (Cyl Ø66.50). Piston compl.	
N		16 16 387-02																		Kolv kpl. (Cyl Ø66.75). Piston compl.	
N		16 16 412-02																		Kolv kpl. (Cyl Ø66.75). Piston compl.	
N		16 16 387-03																		Kolv kpl. (Cyl Ø67.00). Piston compl.	
N		16 16 412-03																		Kolv kpl. (Cyl Ø67.00). Piston compl.	
N		16 16 355-01		1	1															Kolv kpl. (Cyl Ø65.50). Piston compl.	
		16 14 487-01															1	1		Kolv kpl. (Cyl Ø86.00). Piston compl.	
		16 14 487-02																		Kolv kpl. (Cyl Ø86.50). Piston compl.	
		16 14 487-03																		Kolv kpl. (Cyl Ø87.00). Piston compl.	
		16 14 455-01								1										Kolv kpl. (Cyl Ø82.50). Piston compl.	
		16 14 455-02																		Kolv kpl. (Cyl Ø83.00). Piston compl.	
		16 14 455-03																		Kolv kpl. (Cyl Ø83.50). Piston compl.	
	17	16 10 383-01	1																	Renov.sats vevstake. Overhaulkit. conn.rod.	
		16 19 902-01		1	1	1	1	1	1	1	1	1	1							Renov.sats vevstake. Overhaulkit. conn.rod.	
N		16 19 702-01															1	1		Renov.sats vevstake. Overhaulkit. conn.rod.	
N		16 19 701-01												1	1					Renov.sats vevstake. Overhaulkit. conn.rod.	
N	18	16 14 542-01	1																	Vevparti kpl. Crank shaft compl.	
N		16 16 381-01		1	1	1	1	1	1											Vevparti kpl. Crank shaft compl.	
N		16 16 385-01															1	1		Vevparti kpl. Crank shaft compl.	
N		16 16 384-01								1	1	1	1							Vevparti kpl. Crank shaft compl.	
N		16 16 876-01												1	1					Vevparti kpl. Crank shaft compl.	

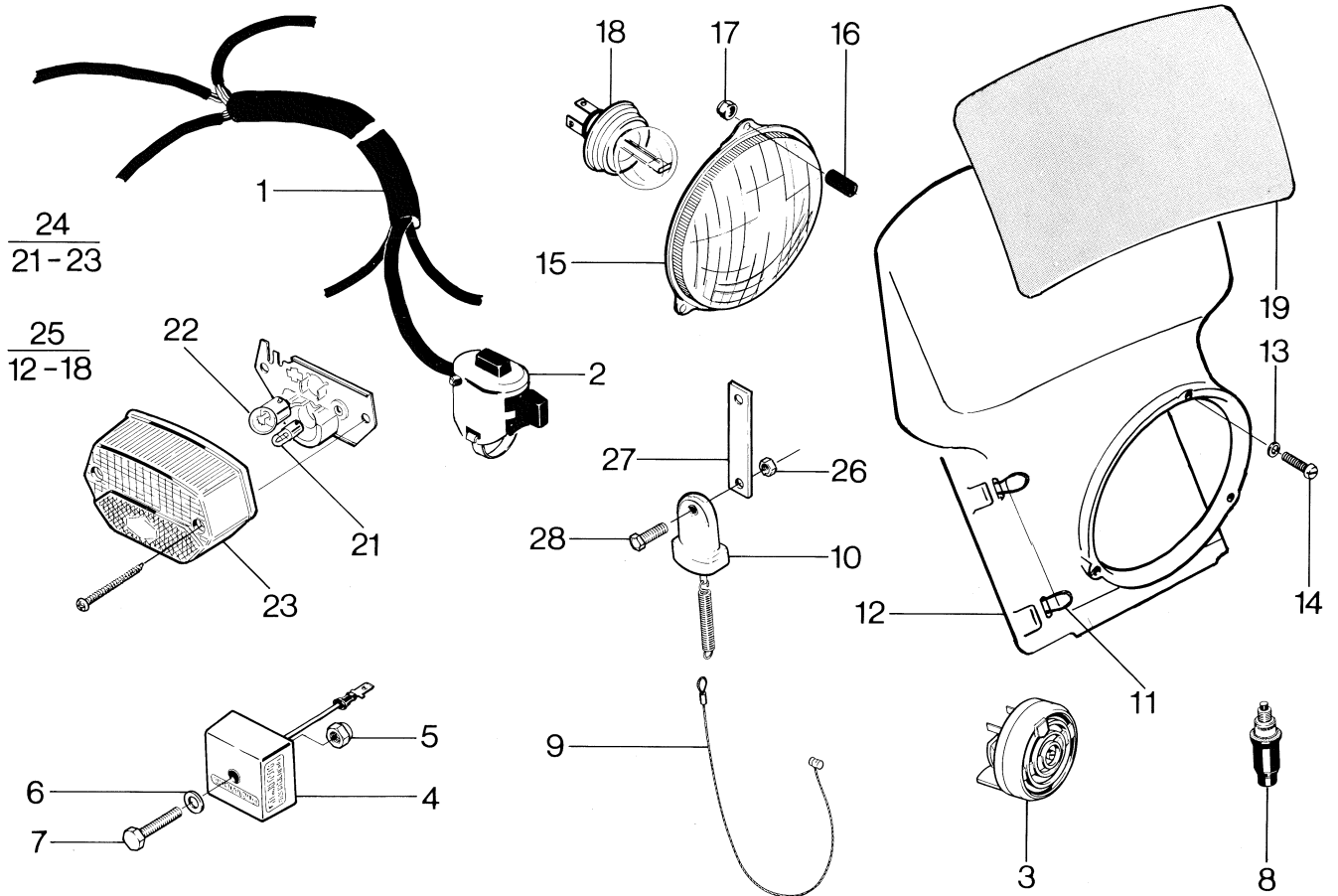


N	Fig.	Reservdel nr Spare part no.	ANTAL – QUANTITY														Benämning, Description	Not.		
			125		240		250			400		430		430 Aut.		500				
			WR	CR	WR	CR	EU WR	US WR	XC	WR	CR	WR	XC	EU	US	CR			XC	
N	1	15 17 536-01	1		1					1				1					Kabelmatta. Harness.	
N		15 17 416-01																	Kabelmatta. Harness.	
	2	15 17 292-01	1		1					1				1					Omkopplare. Switch.	
	3	15 17 420-01	1		1					1				1					Signal. Horn.	
	4	16 14 757-01	1		1			1	1	1			1	1					Spänningsregulator. Voltage regulator.	
	5	732 21 16-01	2		2			2	2	2			2	2					Mutter M6. Nut.	
	6	734 11 53-01	2		2			2	2	2			2	2					Bricka. 6.4x14. Washer.	
	7	725 23 76-51	1		1			1	1	1			1	1					Skruv M6x35. Screw.	
	8	15 17 328-01	1		1					1				1					Bromslyskontakt. Brake light switch.	
	9	15 17 518-01	1		1					1				1					Wire.	
	10	15 17 517-01	1		1					1				1					Bromslyskontakt. Brake light switch.	
	11	15 17 516-01	3		3			3	3	3			3	3					O-ring.	
	12	15 17 511-01	1		1			1	1	1			1	1					Käpa. Head light.	
	13	734 11 46-01	3		3			3	3	3			3	3					Bricka 5.3x10. Washer.	
	14	723 13 39-01	3		3			3	3	3			3	3					Skruv M5x25. Screw.	
	15	15 17 488-01	1		1			1	1	1			1	1					Reflektor. Reflector.	
	16	15 14 078-05	3		3			3	3	3			3	3					Slang. Hose.	
	17	722 21 14-01	3		3			3	3	3			3	3					Mutter M5. Nut.	
	18	15 19 615-01	1		1			1	1	1			1	1					Glödlampa 12V-H4. Bulb.	
	19	15 19 787-01	1		1			1	1	1			1	1					Nummer oval, gul. Number oval, yellow.	
N	21	15 17 533-01	1		1			1	1	1			1	1					Glödlampa 12V-4W. Bulb.	
	22	15 19 616-01	1		1					1				1					Glödlampa 12V-10W. Bulb.	
	23	15 17 888-01	1		1			1	1	1			1	1					Lyktglas. Lens.	
N	24	15 17 535-01	1		1			1	1	1			1	1					Baklykta. Tail light.	
	25	15 17 515-01	1		1			1	1	1			1	1					Strålkastare kpl. Head light compl.	
	26	732 21 12-01	1		1					1				1					Mutter M4. Nut.	
N	27	15 18 230-01	1		1					1				1					Stag. Attachment.	
	28	725 22 97-51	1		1					1				1					Skruv M4x25. Screw.	

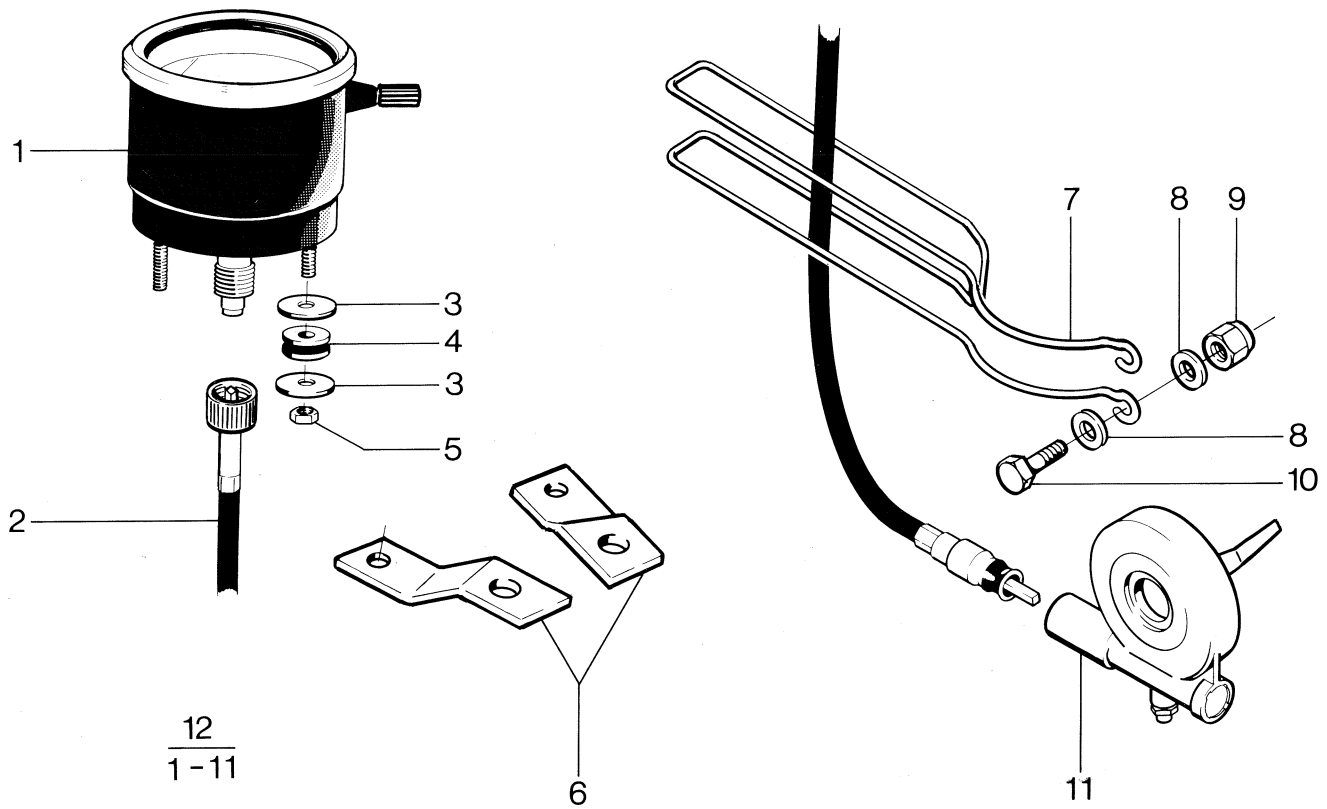


12
1-11

N	Fig.	Reservdel nr Spare part no.	ANTAL - QUANTITY														Benämning, Description	Not.	
			125		240		250			400		430		430 Aut.		500			
			WR	CR	WR	CR	EU WR	US WR	XC	WR	CR	WR	XC	EU	US	CR			XC
N	1	15 17 493-02 15 17 540-01	1		1		1			1				1				Hastighetsmätare km/h. Speedometer. Hastighetsmätare mph. Speedometer.	
	2	15 17 495-01	1		1		1		1		1		1	1				Hastighetsmätare, wire. Speedometer wire.	
	3	15 13 709-01	4		4		4		4		4		4	4				Bricka. Washer.	
	4	15 19 705-01	2		2		2		2		2		2	2				Bussning. Bushing.	
	5	732 21 14-01	2		2		2		2		2		2	2				Mutter M5. Nut.	
	6	15 17 506-01	2		2		2		2		2		2	2				Fäste. Attachment.	
N		15 17 541-01					1				1			1				Fäste. Attachment.	
	7	15 17 306-01	1		1		1		1		1		1	1				Bygel. Wire protector.	
	8	15 13 734-01	2		2		2		2		2		2	2				Bricka. Washer.	
	9	732 21 16-51	2		2		2		2		2		2	2				Mutter M6. Nut.	
	10	725 23 71-51	2		2		2		2		2		2	2				Skruv M6x22. Screw.	
	11	15 17 523-01	1		1		1		1		1		1	1				Vinkelväxel. Drive.	
N	12	15 17 526-02 15 17 543-01	1		1		1				1			1				Hastighetsmätareanlägg. km/h. Speedometer kit. Hastighetsmätareanlägg. mph. Speedometer kit.	



N	Fig.	Reservdel nr Spare part no.	ANTAL - QUANTITY														Benämning, Description	Not.		
			125		240		250				400		430		430 Aut.				500	
			WR	CR	WR	CR	EU WR	US WR	XC	WR	CR	WR	XC	EU	US	CR			XC	
N	1	15 17 536-01	1		1					1				1					Kabelmatta. Harness.	
N		15 17 416-01						1	1						1				Kabelmatta. Harness.	
	2	15 17 292-01	1		1					1				1					Omkopplare. Switch.	
	3	15 17 420-01	1		1					1				1					Signal. Horn.	
	4	16 14 757-01	1		1			1	1	1		1	1	1	1				Spänningsregulator. Voltage regulator.	
	5	732 21 16-01	2		2			2	2	2		2	2	2	2				Mutter M6. Nut.	
	6	734 11 53-01	2		2			2	2	2		2	2	2	2				Bricka. 6.4x14. Washer.	
	7	725 23 76-51	1		1			1	1	1		1	1	1	1				Skruv M6x35. Screw.	
	8	15 17 328-01	1		1					1				1					Bromsljuskontakt. Brake light switch.	
	9	15 17 518-01	1		1					1				1					Wire.	
	10	15 17 517-01	1		1					1				1					Bromsljuskontakt. Brake light switch.	
	11	15 17 516-01	3		3			3	3	3		3	3	3	3				O-ring.	
	12	15 17 511-01	1		1			1	1	1		1	1	1	1				Käpa. Head light.	
	13	734 11 46-01	3		3			3	3	3		3	3	3	3				Bricka 5.3x10. Washer.	
	14	723 13 39-01	3		3			3	3	3		3	3	3	3				Skruv M5x25. Screw.	
	15	15 17 488-01	1		1			1	1	1		1	1	1	1				Reflektor. Reflector.	
	16	15 14 078-05	3		3			3	3	3		3	3	3	3				Slang. Hose.	
	17	722 21 14-01	3		3			3	3	3		3	3	3	3				Mutter M5. Nut.	
	18	15 19 615-01	1		1			1	1	1		1	1	1	1				Glödlampa 12V-H4. Bulb.	
	19	15 19 787-01	1		1			1	1	1		1	1	1	1				Nummer oval, gul. Number oval, yellow.	
N	21	15 17 533-01	1		1			1	1	1		1	1	1	1				Glödlampa 12V-4W. Bulb.	
	22	15 19 616-01	1		1					1				1					Glödlampa 12V-10W. Bulb.	
	23	15 17 888-01	1		1			1	1	1		1	1	1	1				Lyktglas. Lens.	
N	24	15 17 535-01	1		1			1	1	1		1	1	1	1				Baklykta. Tail light.	
	25	15 17 515-01	1		1			1	1	1		1	1	1	1				Strålkastare kpl. Head light compl.	
	26	732 21 12-01	1		1					1				1					Mutter M4. Nut.	
N	27	15 18 230-01	1		1					1				1					Stag. Attachment.	
	28	725 22 97-51	1		1					1				1					Skruv M4x25. Screw.	



12
1-11

N	Fig.	Reservdel nr Spare part no.	ANTAL - QUANTITY														Benämning, Description	Not.		
			125		240		250			400		430		430 Aut.		500				
			WR	CR	WR	CR	EU WR	US WR	XC	WR	CR	WR	XC	EU	US	CR			XC	
N	1	15 17 493-02 15 17 540-01	1		1		1			1					1				Hastighetsmätare km/h. Speedometer. Hastighetsmätare mph. Speedometer.	
	2	15 17 495-01	1		1		1	1		1				1	1				Hastighetsmätare, wire. Speedometer wire.	
	3	15 13 709-01	4		4		4	4		4				4	4				Bricka. Washer.	
	4	15 19 705-01	2		2		2	2		2				2	2				Bussning. Bushing.	
	5	732 21 14-01	2		2		2	2		2				2	2				Mutter M5. Nut.	
	6	15 17 506-01 15 17 541-01	2		2		2			2				2					Fäste. Attachment. Fäste. Attachment.	
N	7	15 17 306-01	1		1		1	1		1				1	1				Bygel. Wire protector.	
	8	15 13 734-01	2		2		2	2		2				2	2				Bricka. Washer.	
	9	732 21 16-51	2		2		2	2		2				2	2				Mutter M6. Nut.	
	10	725 23 71-51	2		2		2	2		2				2	2				Skruv M6x22. Screw.	
	11	15 17 523-01	1		1		1	1		1				1	1				Vinkelväxel. Drive.	
N	12	15 17 526-02 15 17 543-01	1		1		1			1				1					Hastighetsmätareanlägg. km/h. Speedometer kit. Hastighetsmätareanlägg. mph. Speedometer kit.	